



Chipsmall Limited consists of a professional team with an average of over 10 year of expertise in the distribution of electronic components. Based in Hongkong, we have already established firm and mutual-benefit business relationships with customers from,Europe,America and south Asia,supplying obsolete and hard-to-find components to meet their specific needs.

With the principle of “Quality Parts,Customers Priority,Honest Operation,and Considerate Service”,our business mainly focus on the distribution of electronic components. Line cards we deal with include Microchip,ALPS,ROHM,Xilinx,Pulse,ON,Everlight and Freescale. Main products comprise IC,Modules,Potentiometer,IC Socket,Relay,Connector.Our parts cover such applications as commercial,industrial, and automotives areas.

We are looking forward to setting up business relationship with you and hope to provide you with the best service and solution. Let us make a better world for our industry!



Contact us

Tel: +86-755-8981 8866 Fax: +86-755-8427 6832

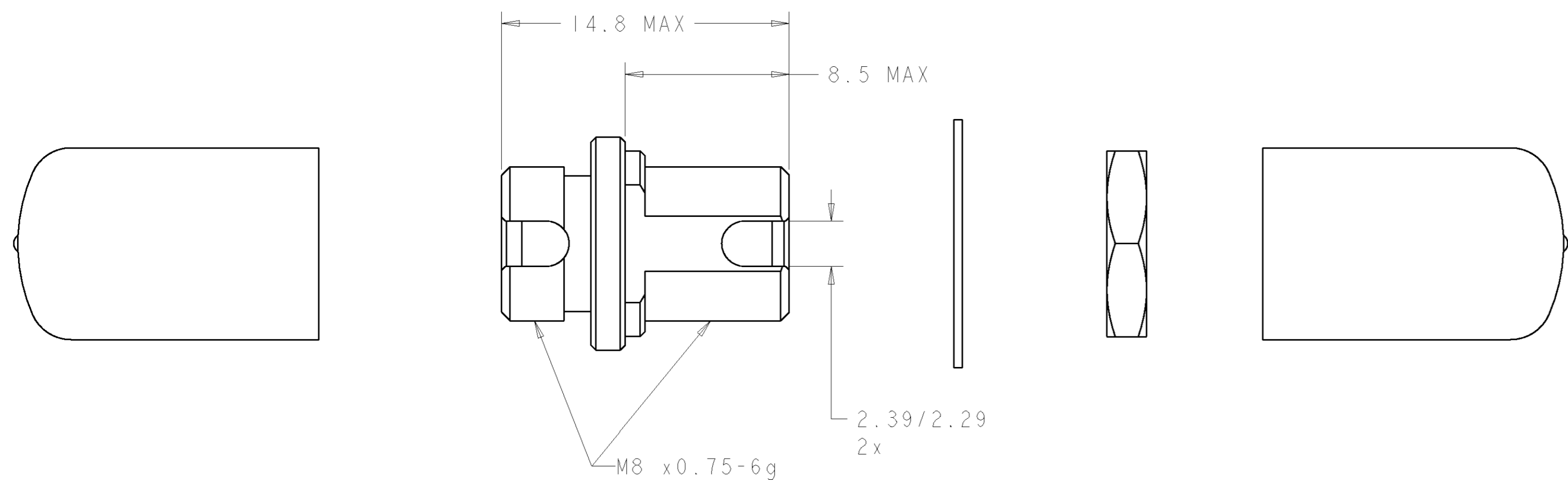
Email & Skype: info@chipsmall.com Web: www.chipsmall.com

Address: A1208, Overseas Decoration Building, #122 Zhenhua RD., Futian, Shenzhen, China



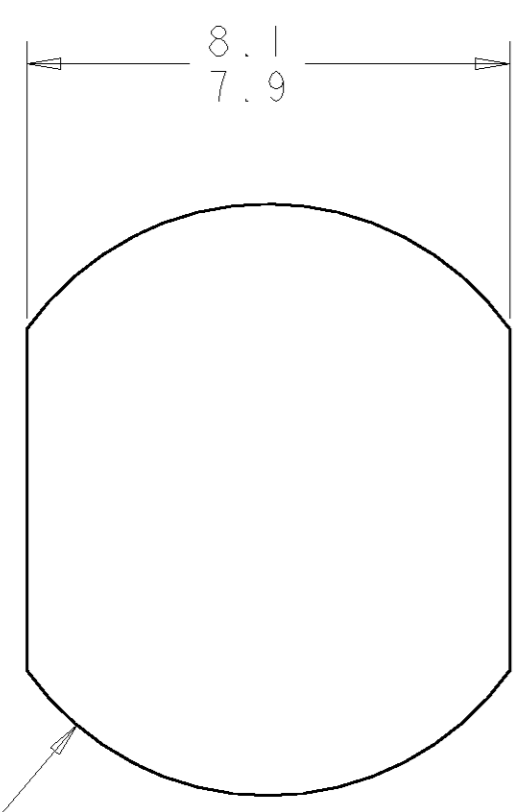
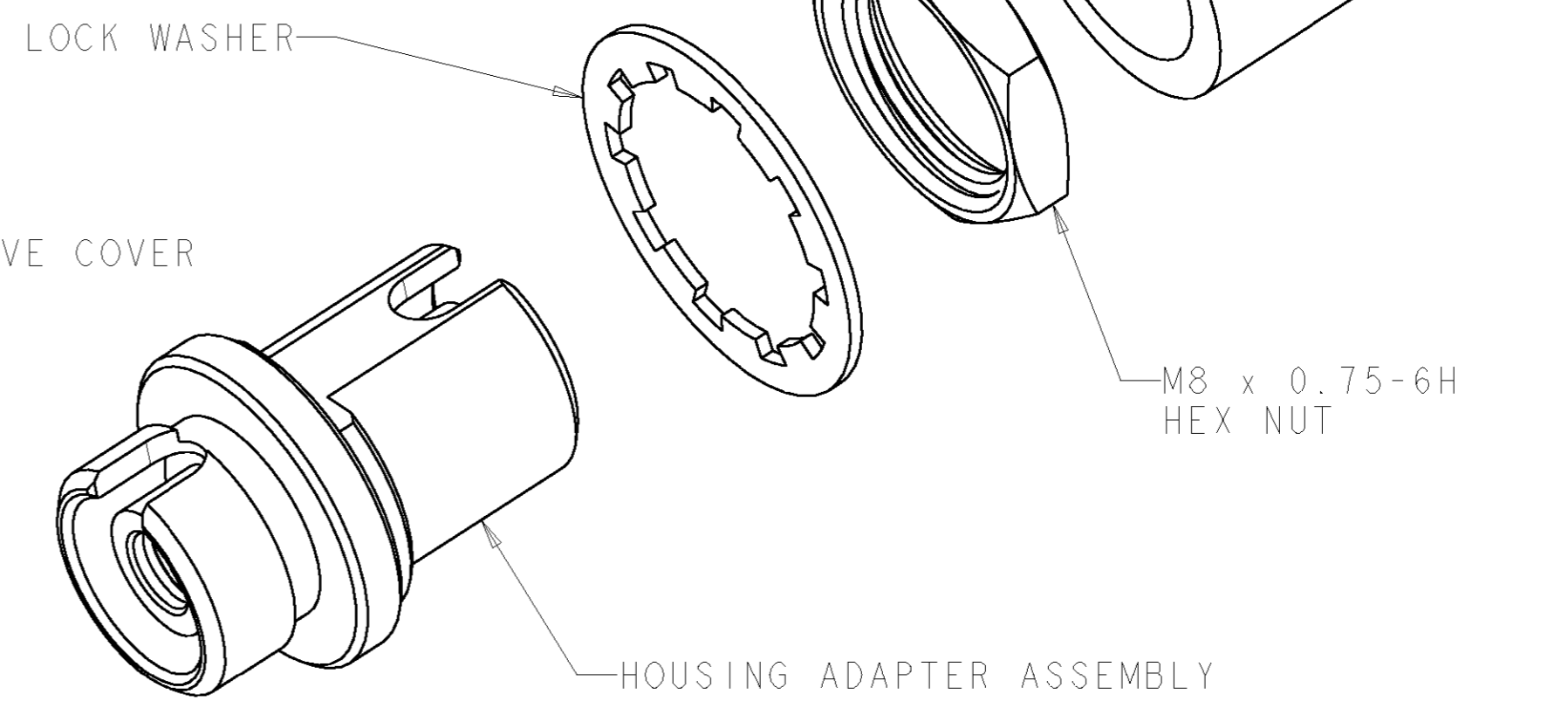
THIS DRAWING IS UNPUBLISHED. RELEASED FOR PUBLICATION 20
 © COPYRIGHT 20 BY TYCO ELECTRONICS CORPORATION. ALL RIGHTS RESERVED.

LOC	DIST	REVISIONS			
P	LTR	DESCRIPTION	DATE	DWN	APVD
CE	00				
	K	REVISE PER 0A00-0150-05	29APR2005	BB	SM



⚠ MATERIAL:
 HOUSING: NICKEL PLATED COPPER ALLOY
 ADAPTER INSERT: NICKEL PLATED COPPER ALLOY
 HEX NUT: NICKEL PLATED COPPER ALLOY
 SLEEVE: PHOSHER BRONZE
 LOCK WASHER: ZINC PLATED STEEL
 PROTECTIVE COVER: VINYL, COLOR: RED

2. MAXIMUM RECOMMENDED PANEL THICKNESS 1.65.



RECOMMENDED PANEL CUTOUT
 SCALE 8:1

504013-1
 PART NUMBER

THIS DRAWING IS A CONTROLLED DOCUMENT FOR TYCO ELECTRONICS CORPORATION IT IS SUBJECT TO CHANGE AND THE CONTROLLING ENGINEERING ORGANIZATION SHOULD BE CONTACTED FOR THE LATEST REVISION.		DWN B. BRIGGS 29APR2005	Tyco Electronics Harrisburg, PA 17105-3608	
DIMENSIONS: mm		CHK S. MILLER 29APR2005	NAME RECPTACLE, FC, STANDARD SLOT	
TOLERANCES UNLESS OTHERWISE SPECIFIED: 0 PLC ± 1 PLC ± 2 PLC ±0.25 3 PLC ± 4 PLC ± ANGLES ± FINISH		APVD S. BUCHTER 29APR2005	PRODUCT SPEC - APPLICATION SPEC - WEIGHT -	
MATERIAL		SIZE A200779		CAGE CODE C-504013
CUSTOMER DRAWING		SCALE 5:1		SHEET 1 OF 1 REV K