



Chipsmall Limited consists of a professional team with an average of over 10 year of expertise in the distribution of electronic components. Based in Hongkong, we have already established firm and mutual-benefit business relationships with customers from,Europe,America and south Asia,supplying obsolete and hard-to-find components to meet their specific needs.

With the principle of “Quality Parts,Customers Priority,Honest Operation,and Considerate Service”,our business mainly focus on the distribution of electronic components. Line cards we deal with include Microchip,ALPS,ROHM,Xilinx,Pulse,ON,Everlight and Freescale. Main products comprise IC,Modules,Potentiometer,IC Socket,Relay,Connector.Our parts cover such applications as commercial,industrial, and automotives areas.

We are looking forward to setting up business relationship with you and hope to provide you with the best service and solution. Let us make a better world for our industry!



Contact us

Tel: +86-755-8981 8866 Fax: +86-755-8427 6832

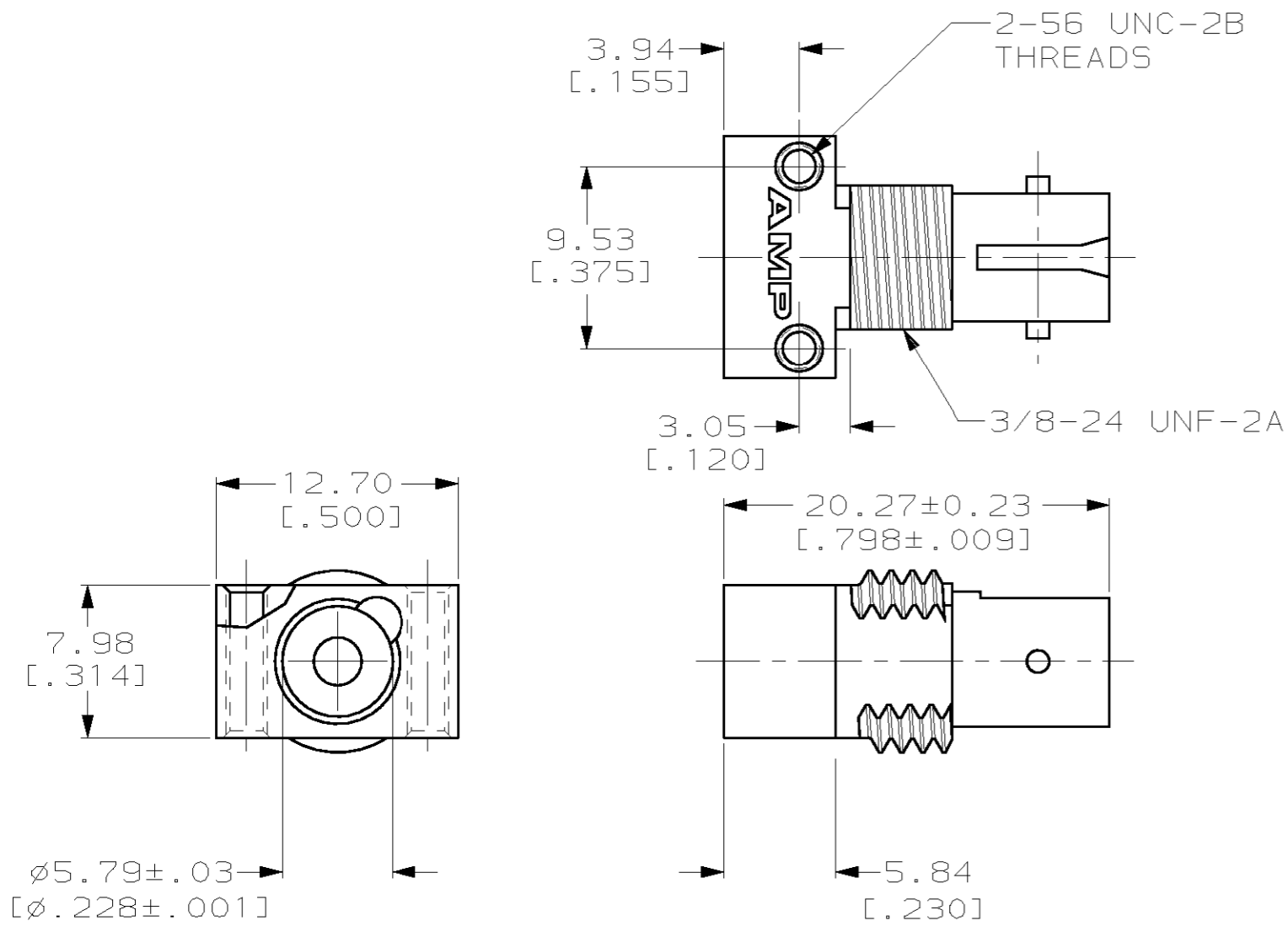
Email & Skype: info@chipsmall.com Web: www.chipsmall.com

Address: A1208, Overseas Decoration Building, #122 Zhenhua RD., Futian, Shenzhen, China

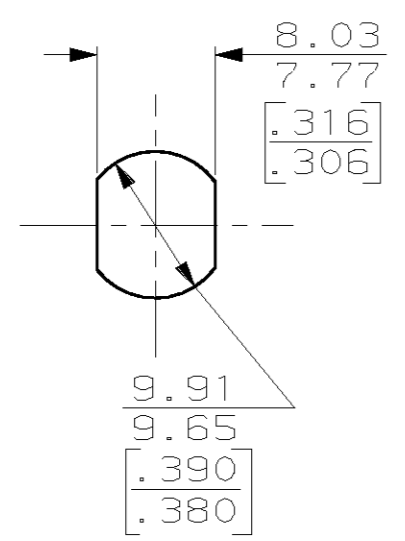
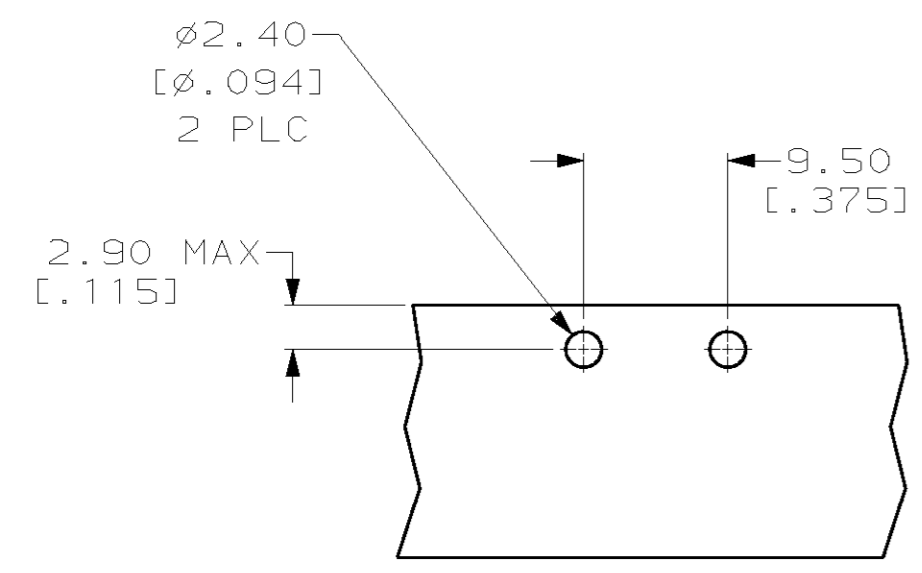
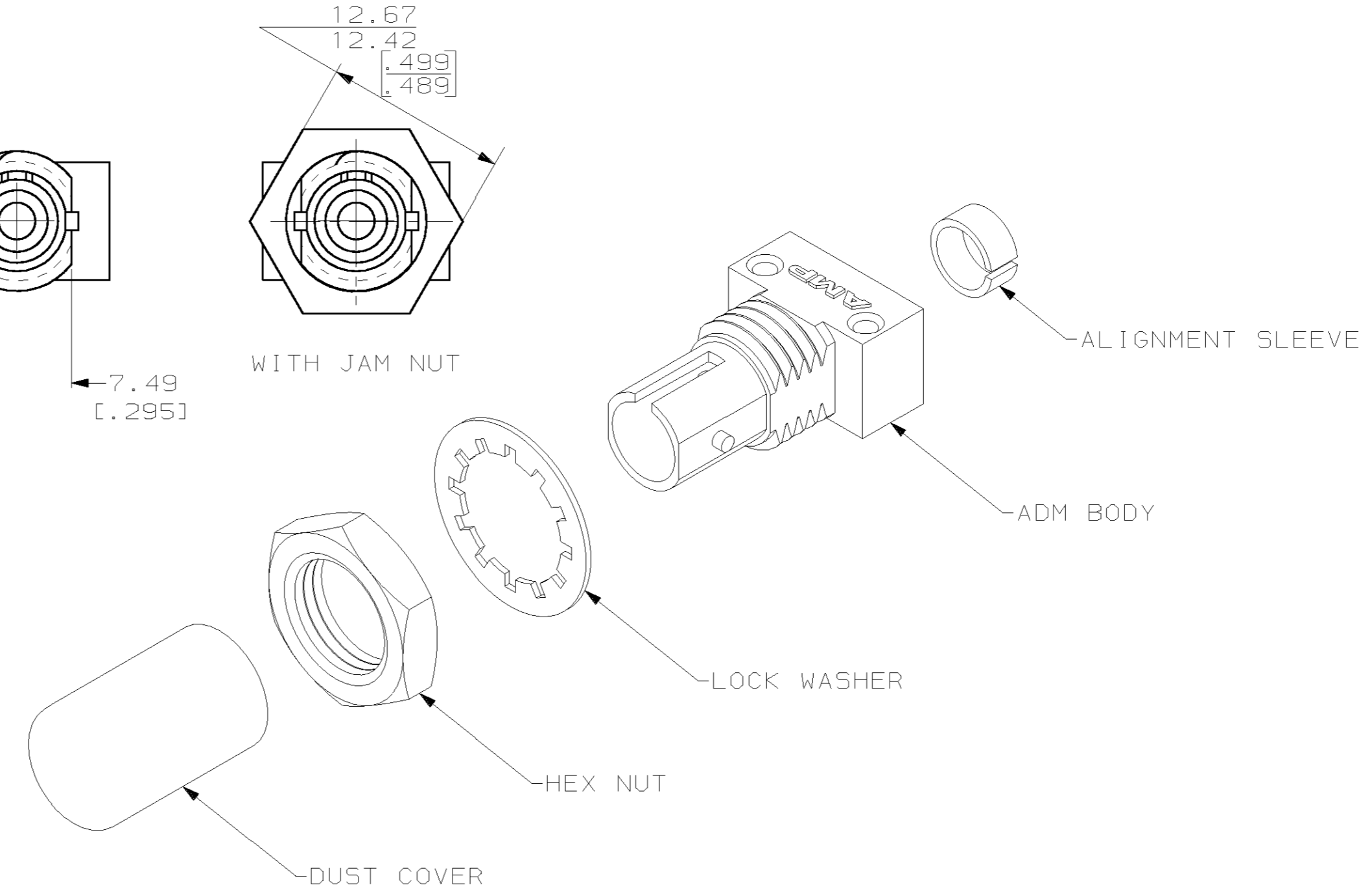


THIS DRAWING IS UNPUBLISHED. RELEASED FOR PUBLICATION .19
 © COPYRIGHT 19 BY AMP INCORPORATED. ALL RIGHTS RESERVED.

LOC	DIST	REVISIONS			
P	LTR	DESCRIPTION	DATE	DWN	APVD
CE	16	G	REDRAWN AND REV PER EC 0A00-0895-99	30NOV99	TG L5



- 1 BULK PACKAGED IN QUANTITIES OF 50 PC.
- 2. DIMENSIONS IN [] ARE IN INCHES.
- 3 KIT COMES WITH NO NUT,NO WASHER.



3	504022-5
OBSOLETE	504022-4
1	504022-3
	504022-2
OBSOLETE	504022-1
	PART NO

THIS DRAWING IS A CONTROLLED DOCUMENT.		DWN E. HALEY 9/24/92	AMP Incorporated Harrisburg, PA 17105-3608	
DIMENSIONS: mm [INCHES]		CHK P. YEAGER 9/29/92	NAME D. FISHER	
TOLERANCES UNLESS OTHERWISE SPECIFIED:		APVD 9/29/92	PRODUCT SPEC	
0 PLC ±-		APPLICATION SPEC		
1 PLC ±-		WEIGHT		
2 PLC ±.13 [.005]		SCALE		
3 PLC ±-		SHEET		
4 PLC ±-		OF		
ANGLES ±-		REV		
FINISH -		G		
MATERIAL -		CUSTOMER DRAWING		
		SIZE A2		
		CAGE CODE 00779		
		DRAWING NO C-504022		
		RESTRICTED TO		
		SCALE NTS		
		SHEET 1		
		OF 1		
		REV G		