



Chipsmall Limited consists of a professional team with an average of over 10 year of expertise in the distribution of electronic components. Based in Hongkong, we have already established firm and mutual-benefit business relationships with customers from,Europe,America and south Asia,supplying obsolete and hard-to-find components to meet their specific needs.

With the principle of “Quality Parts,Customers Priority,Honest Operation,and Considerate Service”,our business mainly focus on the distribution of electronic components. Line cards we deal with include Microchip,ALPS,ROHM,Xilinx,Pulse,ON,Everlight and Freescale. Main products comprise IC,Modules,Potentiometer,IC Socket,Relay,Connector.Our parts cover such applications as commercial,industrial, and automotives areas.

We are looking forward to setting up business relationship with you and hope to provide you with the best service and solution. Let us make a better world for our industry!



## Contact us

Tel: +86-755-8981 8866 Fax: +86-755-8427 6832

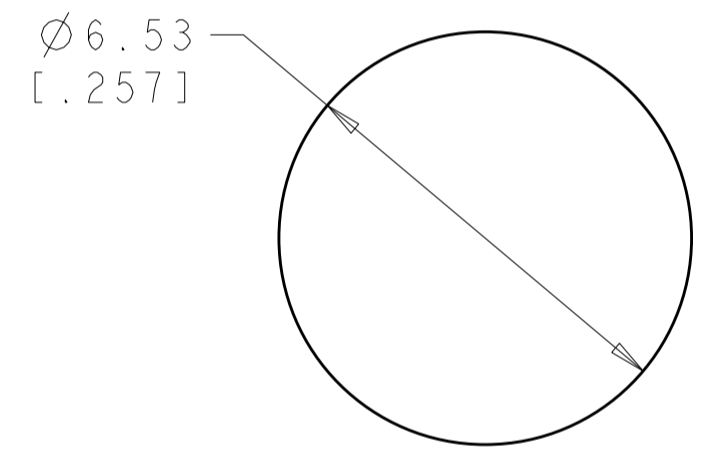
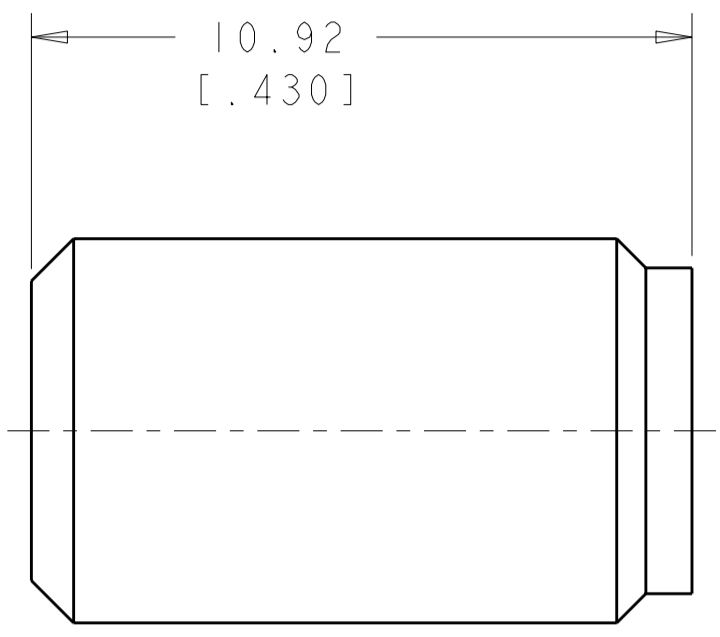
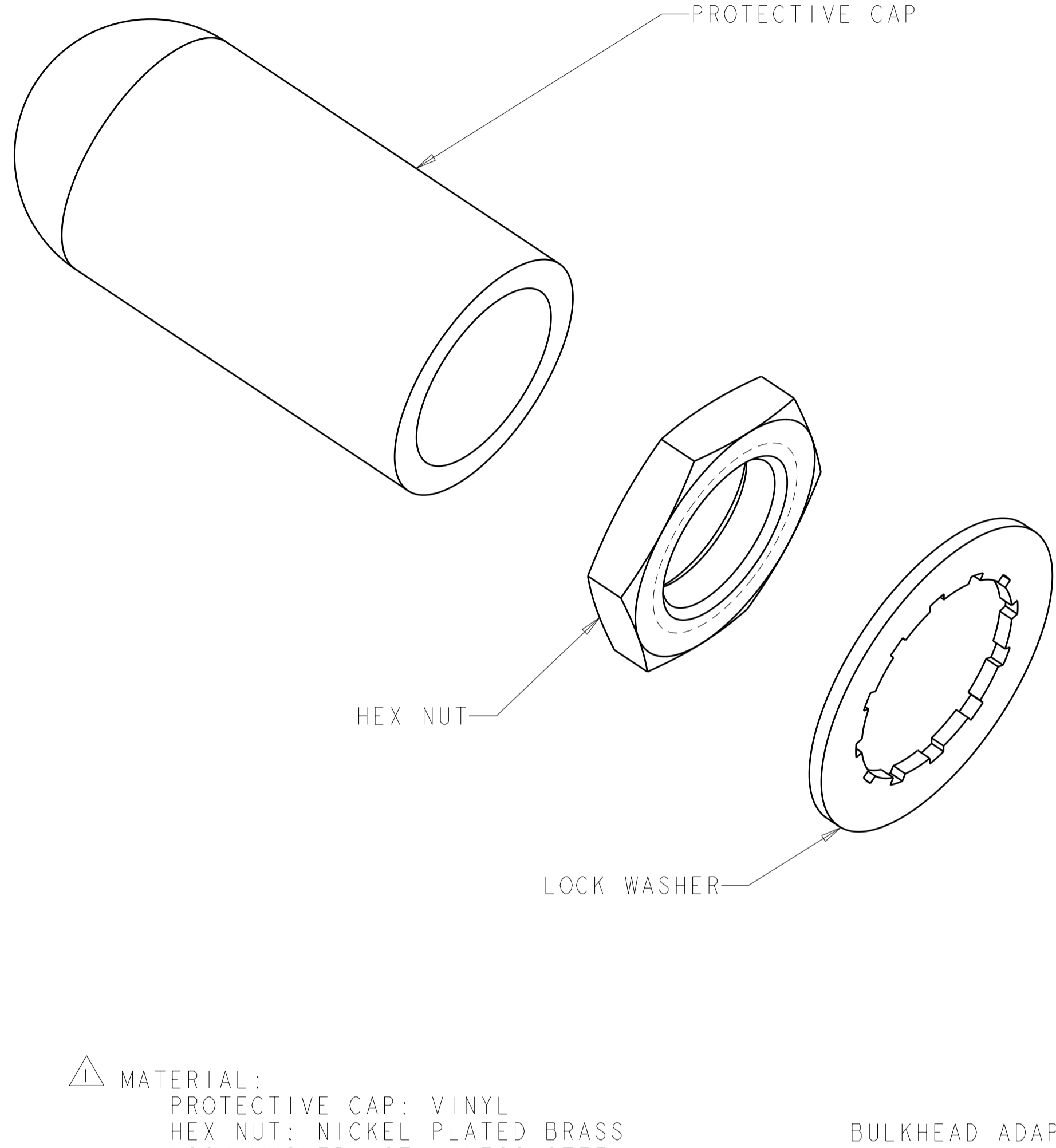
Email & Skype: info@chipsmall.com Web: www.chipsmall.com

Address: A1208, Overseas Decoration Building, #122 Zhenhua RD., Futian, Shenzhen, China



THIS DRAWING IS UNPUBLISHED. RELEASED FOR PUBLICATION 20  
 © COPYRIGHT 20 BY - ALL RIGHTS RESERVED.

LOC	DIST	REVISIONS			
P	LTR	DESCRIPTION	DATE	DWN	APVD
CE	00	J	REVISED PER ECR 11-022976	13NOV2011	DLF LS



RECOMMENDED PANEL CUTOUT

1 MATERIAL:  
 PROTECTIVE CAP: VINYL  
 HEX NUT: NICKEL PLATED BRASS  
 LOCK WASHER: STAINLESS STEEL  
 BULKHEAD ADAPTER: STAINLESS STEEL

2. FOR USE WITH 5.0[0.188] MAXIMUM PANEL THICKNESS.

504031-1  
 PART NUMBER

THIS DRAWING IS A CONTROLLED DOCUMENT.		DWN B. BRIGGS 30SEP2005	TE Connectivity	
DIMENSIONS: INCHES		CHK L. SAUERWEIN 30SEP2005		
TOLERANCES UNLESS OTHERWISE SPECIFIED:		APVD S. BUCHTER 30SEP2005	NAME BULKHEAD ASSEMBLY, FSMA ADAPTER	
0 PLC ± 1 PLC ± 2 PLC ±0.13[.005] 3 PLC ± 4 PLC ± ANGLES ± FINISH		PRODUCT SPEC -	SIZE A200779	DRAWING NO C=504031
MATERIAL -		WEIGHT -	RESTRICTED TO -	SCALE 5:1
1		CUSTOMER DRAWING		SHEET 1 OF 1 REV J