



Chipsmall Limited consists of a professional team with an average of over 10 year of expertise in the distribution of electronic components. Based in Hongkong, we have already established firm and mutual-benefit business relationships with customers from,Europe,America and south Asia,supplying obsolete and hard-to-find components to meet their specific needs.

With the principle of "Quality Parts,Customers Priority,Honest Operation,and Considerate Service",our business mainly focus on the distribution of electronic components. Line cards we deal with include Microchip,ALPS,ROHM,Xilinx,Pulse,ON,Everlight and Freescale. Main products comprise IC,Modules,Potentiometer,IC Socket,Relay,Connector.Our parts cover such applications as commercial,industrial, and automotives areas.

We are looking forward to setting up business relationship with you and hope to provide you with the best service and solution. Let us make a better world for our industry!



## Contact us

Tel: +86-755-8981 8866 Fax: +86-755-8427 6832

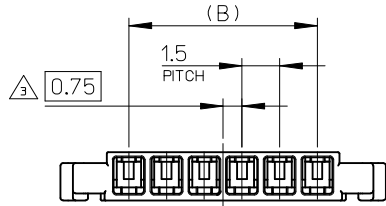
Email & Skype: info@chipsmall.com Web: www.chipsmall.com

Address: A1208, Overseas Decoration Building, #122 Zhenhua RD., Futian, Shenzhen, China

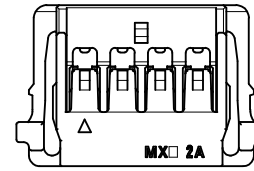
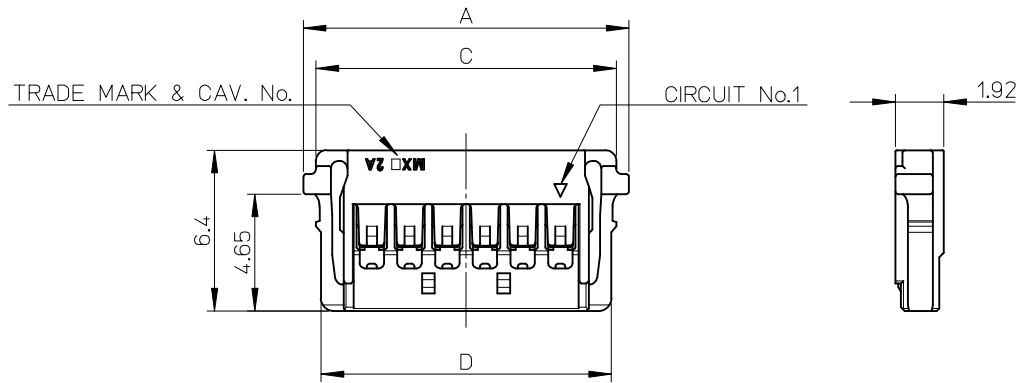


NOTES.

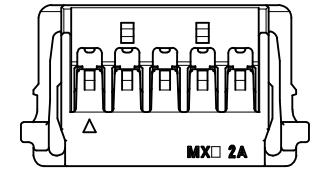
1. 嵌合相手 : 504050\*\*\*\*  
MATE WITH : 504050\*\*\*\*
2. 適合ターミナル : 504052\*\*\*\*  
APPLICABLE TERMINAL : 504052\*\*\*\*
- △ 3. 偶数極に適用  
APPLY EVEN CIRCUIT PRODUCTS.
4. 材質  
MATERIAL  
耐熱性樹脂 UL94-V0 BLACK  
HEATPROOF RESIN UL94-V0 BLACK
5. ELV及びRoHS適合品  
ELV AND RoHS COMPLIANT.



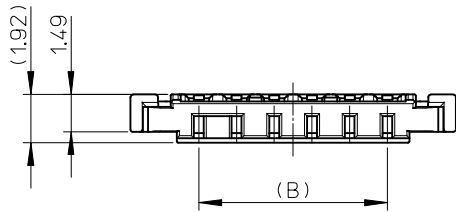
NUMBER of LOCK ⑥



4 CIRCUITS



5 - 12 CIRCUITS



20.55	20.95	16.5	21.95	5040511201	12
17.55	17.95	13.5	18.95	5040511001	10
14.55	14.95	10.5	15.95	5040510801	8
13.05	13.45	9.0	14.45	5040510701	7
11.55	11.95	7.5	12.95	5040510601	6
10.05	10.45	6.0	11.45	5040510501	5
8.55	8.95	4.5	9.95	5040510401	4
D	C	B	A	ORDER No.	CIRCUIT

CONNECTOR SERIES No. : 504051\*\*\*\*

REVISED EC NO: J2016-0297 DRWN: TAKAIKE 2015/09/18 CHKD: KASAKAWA 2015/10/02 APPR: NUKITA 2015/10/02	GENERAL TOLERANCES (UNLESS SPECIFIED)		DIMENSION STYLE MM ONLY		SCALE 5:1	DESIGN UNITS METRIC	THIRD ANGLE PROJECTION
	0.25 UNDER	±0.03	DRAWN BY	DATE	TITLE		
	0.25 OVER 0.5 UNDER	±0.05	THANYU	2012/03/29	1.5 WIRE TO BOARD CONN. R/A H=2MM REC CRIMP HOUSING		
	0.5 OVER 1.0 UNDER	±0.1	CHECKED BY	DATE			
	1.0 OVER 10 UNDER	±0.2	KASAKAWA	2012/03/29			
10 OVER 30 UNDER	±0.25	APPROVED BY	DATE	MATERIAL NO.	DOCUMENT NO.	SHEET NO.	
30 OVER	±0.3	YOITO	2012/04/18	SEE CHART	SD-504051-001	1 OF 1	
ANGULAR	±3 °	DRAFT WHERE APPLICABLE MUST REMAIN WITHIN DIMENSIONS		SIZE A3	THIS DRAWING CONTAINS INFORMATION THAT IS PROPRIETARY TO MOLEX INCORPORATED AND SHOULD NOT BE USED WITHOUT WRITTEN PERMISSION		