



Chipsmall Limited consists of a professional team with an average of over 10 year of expertise in the distribution of electronic components. Based in Hongkong, we have already established firm and mutual-benefit business relationships with customers from,Europe,America and south Asia,supplying obsolete and hard-to-find components to meet their specific needs.

With the principle of “Quality Parts,Customers Priority,Honest Operation,and Considerate Service”,our business mainly focus on the distribution of electronic components. Line cards we deal with include Microchip,ALPS,ROHM,Xilinx,Pulse,ON,Everlight and Freescale. Main products comprise IC,Modules,Potentiometer,IC Socket,Relay,Connector.Our parts cover such applications as commercial,industrial, and automotives areas.

We are looking forward to setting up business relationship with you and hope to provide you with the best service and solution. Let us make a better world for our industry!



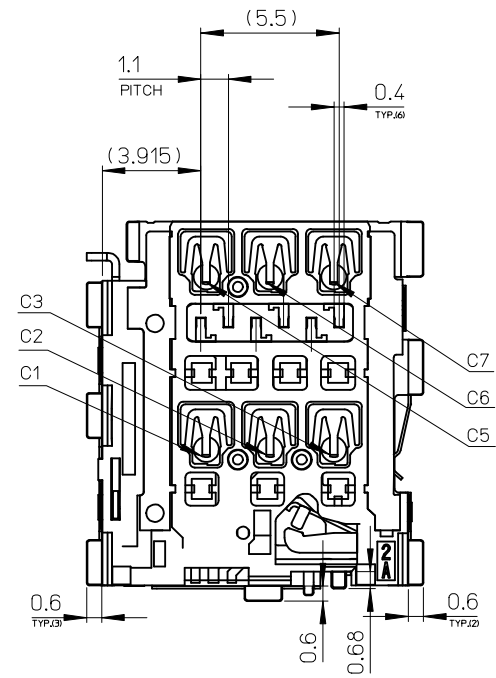
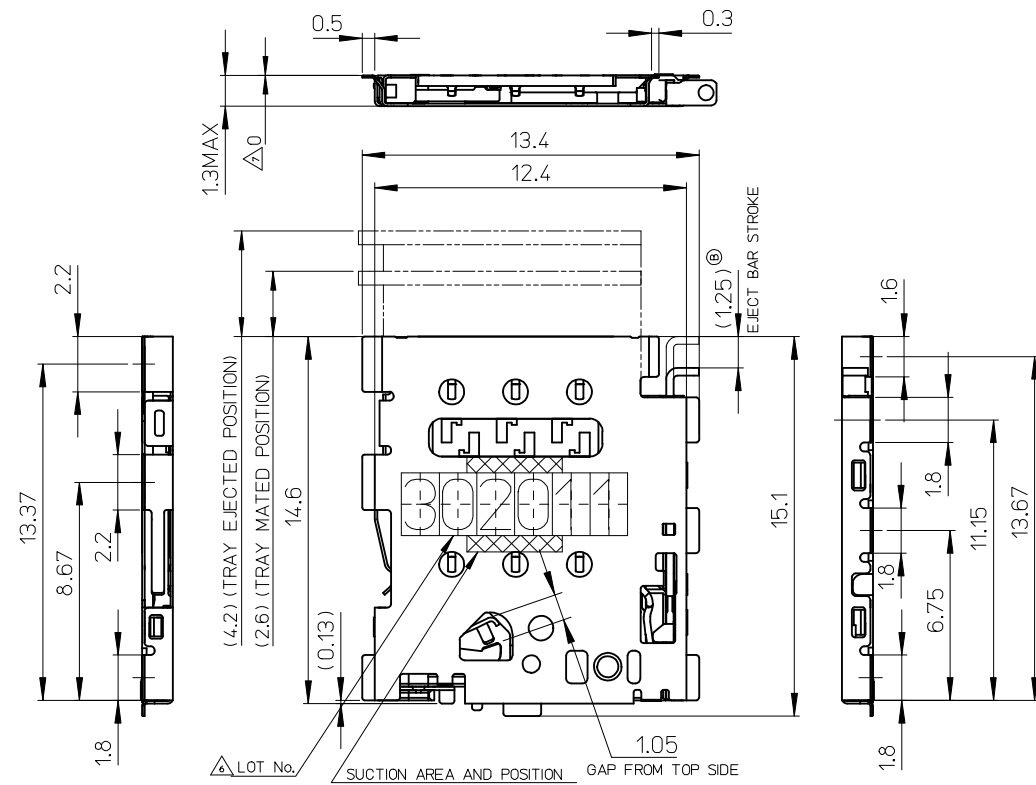
Contact us

Tel: +86-755-8981 8866 Fax: +86-755-8427 6832

Email & Skype: info@chipsmall.com Web: www.chipsmall.com

Address: A1208, Overseas Decoration Building, #122 Zhenhua RD., Futian, Shenzhen, China





LOT No. : 3 0 2 0 1 1

THE LAST NUMBER OF YEAR

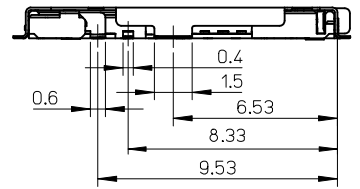
2 : 2012 MONTH 01 : JANUARY DAY 01 - 31

3 : 2013 01 : JANUARY

4 : 2014 02 : FEBRUARY

LINE No. 0 : JAPAN 1-9 : DALIAN

12 : DECEMBER

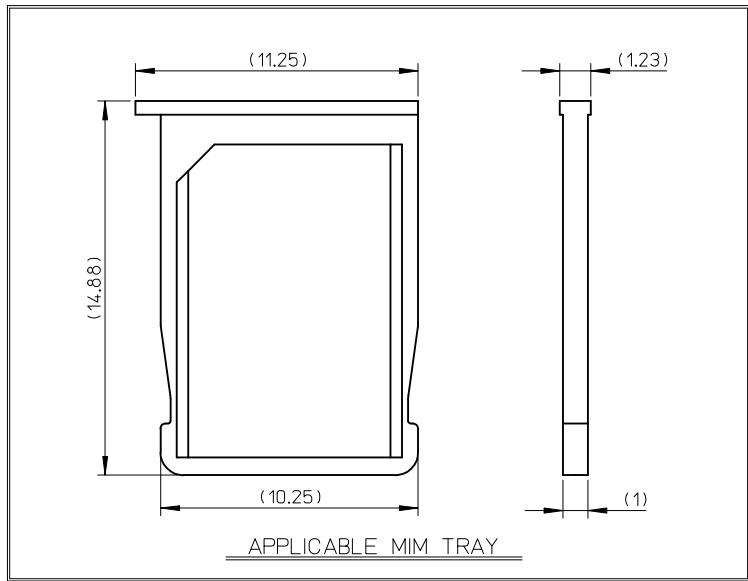


PIN ASSIGNMENT

C1: Vcc
C2: RST
C3: CLK
C5: GND
C6: Vpp
C7: I/O

504520-0691	6
EMBOSSED PACKAGE	CIRCUITS
ORDER NO.	
CONNECTOR SERIES No. 504520-****	

REVISED EC No. : J2017-0313 DRWN: YHONDA01 2016/12/09 CHKD: TASAKAWA 2016/12/14 APPR: TKUSUHARA01 2016/12/19	GENERAL TOLERANCES (UNLESS SPECIFIED)		DIMENSION STYLE MM ONLY		SCALE 5:1	DESIGN UNITS METRIC	THIRD ANGLE PROJECTION
	0.25 UNDER	±0.03	DRAWN BY DATE MTAKASAKI 2013/03/05		TITLE NANO SIM CARD CONN. BAR-PUSH TRAY TYPE ASSY		
REV D	0.25 OVER	0.5 UNDER	±0.05	CHECKED BY DATE MTOMITA 2013/03/05			
	0.5 OVER	1.0 UNDER	±0.1	APPROVED BY DATE NUKITA 2014/02/21			
	1.0 OVER	10 UNDER	±0.2	MATERIAL NO.			
	30 OVER		±0.3	DOCUMENT NO.			
ANGULAR ±1 °			SEE CHART		SD-504520-001		SHEET NO. 1 OF 4
DRAFT WHERE APPLICABLE MUST REMAIN WITHIN DIMENSIONS			SIZE A3	THIS DRAWING CONTAINS INFORMATION THAT IS PROPRIETARY TO MOLEX ELECTRONIC TECHNOLOGIES, LLC AND SHOULD NOT BE USED WITHOUT WRITTEN PERMISSION			



No.	NAME	MATERIAL	FINISH
①	HOUSING	LIQUID CRYSTAL POLYMER UL94V-0, BLACK	N/A
②	TERMINAL	COPPER ALLOY (C52100 EH)	CONTACT AREA : GOLD 0.2 MICROMETER MINIMUM TAIL AREA : SEPARATED GOLD PLATING 0.02 MICROMETER MINIMUM UNDER PLATING : NICKEL 1.0 MICROMETER MINIMUM
③	SHELL	STAINLESS STEEL (SUS304 3/4H)	NAIL AREA : SEPARATED GOLD PLATING 0.02 MICROMETER MINIMUM UNDER PLATING : NICKEL 1.0 MICROMETER MINIMUM
④	DETECT SWITCH	COPPER ALLOY (C52100 EH)	CONTACT AREA : GOLD 0.2 MICROMETER MINIMUM TAIL AREA : SEPARATED GOLD PLATING 0.02 MICROMETER MINIMUM UNDER PLATING : NICKEL 1.0 MICROMETER MINIMUM
⑤	DETECT LEVER	COPPER ALLOY (C52100 EH)	CONTACT AREA : GOLD 0.2 MICROMETER MINIMUM TAIL AREA : SEPARATED GOLD PLATING 0.02 MICROMETER MINIMUM UNDER PLATING : NICKEL 1.0 MICROMETER MINIMUM
⑥	EJECT BAR	STAINLESS STEEL (SUS304 3/4H)	N/A
⑦	EJECT LEVER	STAINLESS STEEL (SUS304 3/4H)	N/A
⑧	HOOK	STAINLESS STEEL (SUS304 3/4H)	N/A

NOTES :

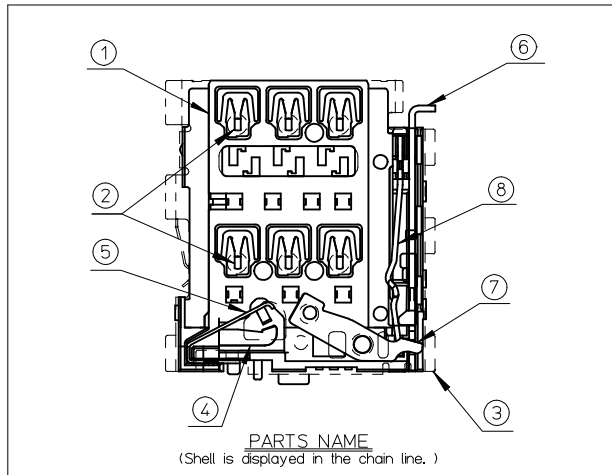
- TERMINAL AND NAIL COPLANARITY TO BE 0.08 MAXIMUM. (FROM GAUGE PLANE)
- DETECT SWITCH FUNCTION
- (DIMENSION) : REFERENCE VALUE (IT IS A NOT A MANAGEMENT DIMENSION)
- ELV & RoHS COMPLIANT.

NO TRAY	OPEN
TRAY EJECTED POSITION	OPEN
TRAY MATED POSITION	CLOSE

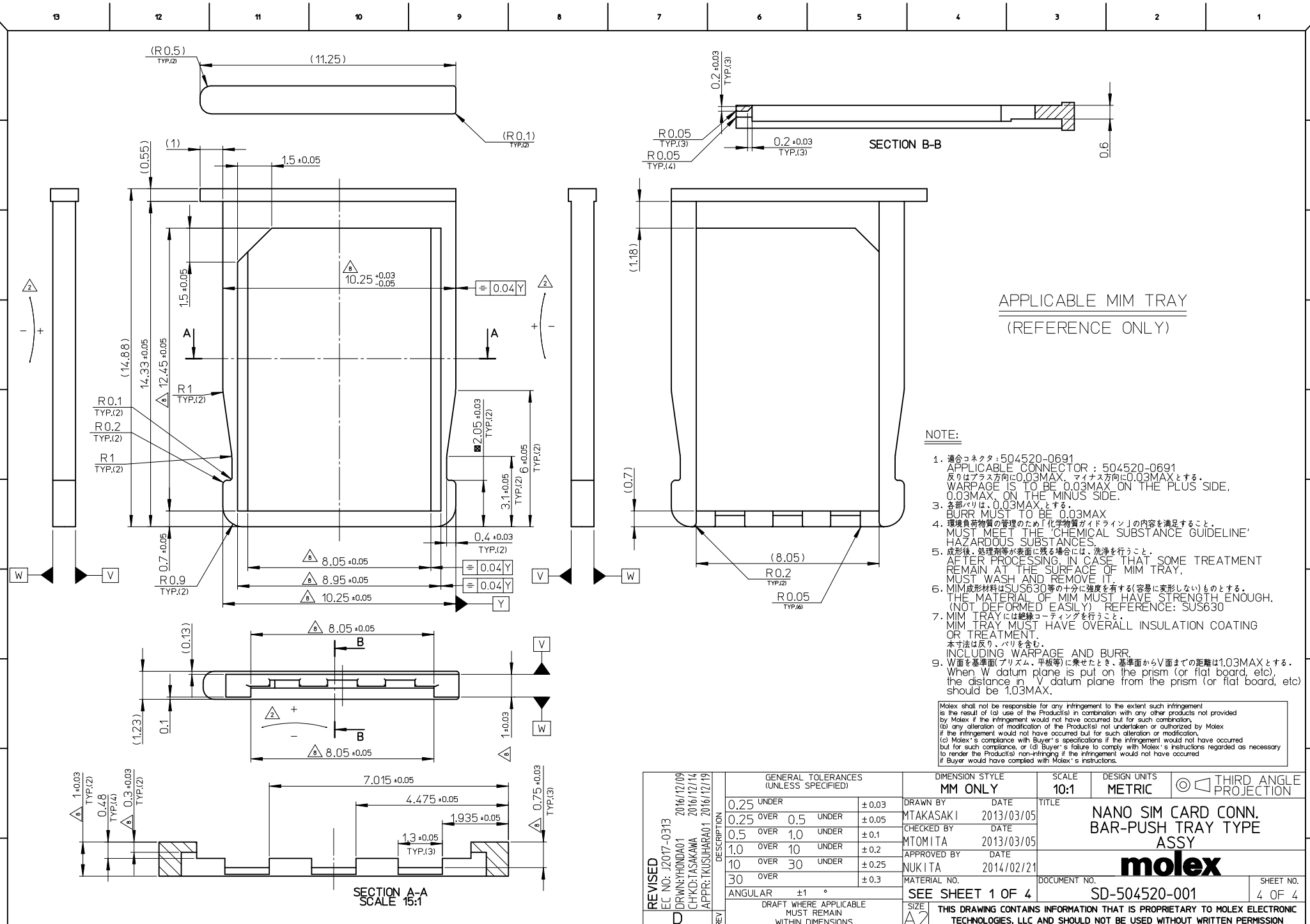
△ PATTERN KEEP OUT AREA DIMENSION

- △ LOT NUMBERING
- △ STAND-OFF DIMENSION (STAND-OFF DIMENSION IS INCLUDED IN THE CONNECTOR TOTAL HEIGHT)
- △ DETECT LEVER SHOULD BE GROUND (V_{SS}) BECAUSE ELECTRIC POTENTIAL OF DETECT LEVER MAY BE EQUAL TO IT OF SHELL.

Molex shall not be responsible for any infringement to the extent such infringement is the result of (a) use of the Product(s) in combination with any other products not provided by Molex if the infringement would not have occurred but for such combination, (b) any alteration or modification of the Product(s) not undertaken or authorized by Molex if the infringement would not have occurred but for such alteration or modification, (c) Molex's compliance with Buyer's specifications if the infringement would not have occurred but for such compliance, or (d) Buyer's failure to comply with Molex's instructions regarded as necessary to render the Product(s) non-infringing if the infringement would not have occurred if Buyer would have complied with Molex's instructions.



GENERAL TOLERANCES (UNLESS SPECIFIED)		DIMENSION STYLE		SCALE	DESIGN UNITS	THIRD ANGLE PROJECTION
		MM ONLY		5:1	METRIC	⊙ □
0.25 UNDER	±0.03	DRAWN BY	DATE	TITLE		
0.25 OVER	0.5 UNDER ±0.05	MTAKASAKI	2013/03/05	NANO SIM CARD CONN. BAR-PUSH TRAY TYPE ASSY		
0.5 OVER	1.0 UNDER ±0.1	CHECKED BY	DATE	molex		
1.0 OVER	10 UNDER ±0.2	MTOMITA	2013/03/05			
10 OVER	30 UNDER ±0.25	APPROVED BY	DATE	DOCUMENT NO.	SHEET NO.	
30 OVER	±0.3	NUKITA	2014/02/21	SD-504520-001	3 OF 4	
ANGULAR	±1 °	MATERIAL NO.		SEE SHEET 1 OF 4		
DRAFT WHERE APPLICABLE MUST REMAIN WITHIN DIMENSIONS		SIZE	THIS DRAWING CONTAINS INFORMATION THAT IS PROPRIETARY TO MOLEX ELECTRONIC TECHNOLOGIES, LLC AND SHOULD NOT BE USED WITHOUT WRITTEN PERMISSION			
		A3				



APPLICABLE MIM TRAY
(REFERENCE ONLY)

NOTE:

- 適合コネクタ: 504520-0691
APPLICABLE CONNECTOR: 504520-0691
反りはプラス方向に0.03MAX、マイナス方向に0.03MAXとする。
WARPAGE IS TO BE 0.03MAX ON THE PLUS SIDE,
0.03MAX ON THE MINUS SIDE.
- 全周バリは、0.03MAXとする。
BURR MUST TO BE 0.03MAX
- 環境負荷物質の管理のため「化学物質ガイドライン」の内容を満足すること。
MUST MEET THE 'CHEMICAL SUBSTANCE GUIDELINE'
HAZARDOUS SUBSTANCES.
- 成形後、処理跡が表面に残る場合は、洗浄を行うこと。
AFTER PROCESSING, IN CASE THAT SOME TREATMENT
REMAIN AT THE SURFACE OF MIM TRAY,
MUST WASH AND REMOVE IT.
- MIM成形材料はSUS630等の十分に強度を有する(容易に変形しない)ものとする。
THE MATERIAL OF MIM MUST HAVE STRENGTH ENOUGH.
(NOT DEFORMED EASILY) REFERENCE: SUS630
- MIM TRAYには絶縁コーティングを行うこと。
MIM TRAY MUST HAVE OVERALL INSULATION COATING
OR TREATMENT.
本寸法は反り、バリを含む。
INCLUDING WARPAGE AND BURR.
- W面を基準面(プリズム、平板等)に乗せたとき、基準面からV面までの距離は1.03MAXとする。
When W datum plane is put on the prism (or flat board, etc),
the distance in V datum plane from the prism (or flat board, etc)
should be 1.03MAX.

Molex shall not be responsible for any infringement to the extent such infringement is the result of (a) use of the Product(s) in combination with any other products not provided by Molex if the infringement would not have occurred but for such combination, (b) any alteration or modification of the Product(s) not undertaken or authorized by Molex if the infringement would not have occurred but for such alteration or modification, (c) Molex's compliance with Buyer's specifications if the infringement would not have occurred but for such compliance, or (d) Buyer's failure to comply with Molex's instructions regarded as necessary to render the Product(s) non-infringing if the infringement would not have occurred if Buyer would have complied with Molex's instructions.

SECTION A-A
SCALE 15:1

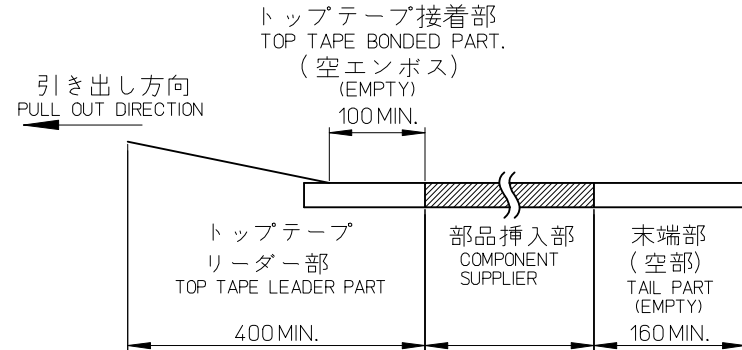
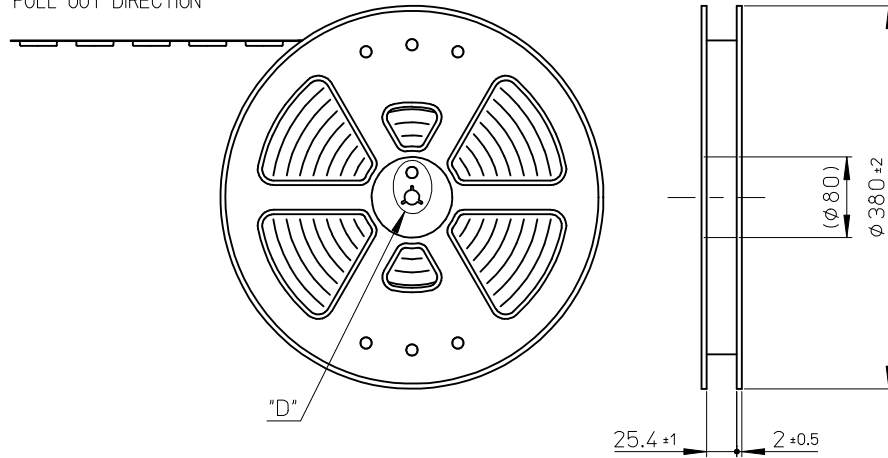
REVISED EC NO: J2017-0313 DRWN:YHONDA01 2016/12/09 CHKD:TASAKAWA 2016/12/14 APPR:TKUSUHARA01 2016/12/19	GENERAL TOLERANCES (UNLESS SPECIFIED)		DIMENSION STYLE MM ONLY	SCALE 10:1	DESIGN UNITS METRIC	THIRD ANGLE PROJECTION
	0.25 UNDER	± 0.03	DRAWN BY MTAKASAKI	DATE 2013/03/05	TITLE NANO SIM CARD CONN. BAR-PUSH TRAY TYPE ASSY	
0.25 OVER	± 0.05	0.5 UNDER	CHECKED BY MTOMITA	DATE 2013/03/05		
0.5 OVER	± 0.1	1.0 UNDER	APPROVED BY NUKITA	DATE 2014/02/21		
1.0 OVER	± 0.2	10 UNDER	MATERIAL NO.	DOCUMENT NO.	SHEET NO. 4 OF 4	
10 OVER	± 0.25	30 UNDER	SEE SHEET 1 OF 4	SD-504520-001		
30 OVER	± 0.3	ANGULAR ±1 °	THIS DRAWING CONTAINS INFORMATION THAT IS PROPRIETARY TO MOLEX ELECTRONIC TECHNOLOGIES, LLC AND SHOULD NOT BE USED WITHOUT WRITTEN PERMISSION			
REV	DRAFT WHERE APPLICABLE MUST REMAIN WITHIN DIMENSIONS		SIZE A2			

NOTES

CONFIDENTIAL

1. 製品詳細寸法については、SD 図面を参照下さい。
RE DETAILED DIMENSION, SEE SALES DRAWING.
2. 梱包数量：1900 個／リール
NUMBER OF CONNECTORS：1900 PCS/REEL.
3. リードテープ長さ LEAD TAPE LENGTH.

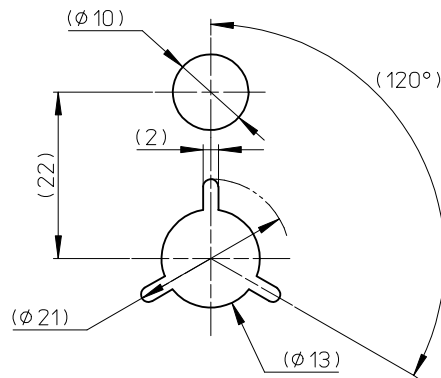
引き出し方向
PULL OUT DIRECTION



4. トップテープの剥離強度については、IEC60286-3に準拠
TOP TAPE PEEL FORCE IS DEFINED BY IEC60286-3

5. 材料 MATERIAL

キャリアテープ (CARRIER TAPE)：ポリスチレン (POLYSTYRENE)
 トップテープ (TOP TAPE)：PET, PE, PEF
 リール (REEL)：ポリスチレン (PS) <リサイクル材含む>
 POLYSTYRENE (PS) <RECYCLE MATERIAL CONTAINED>

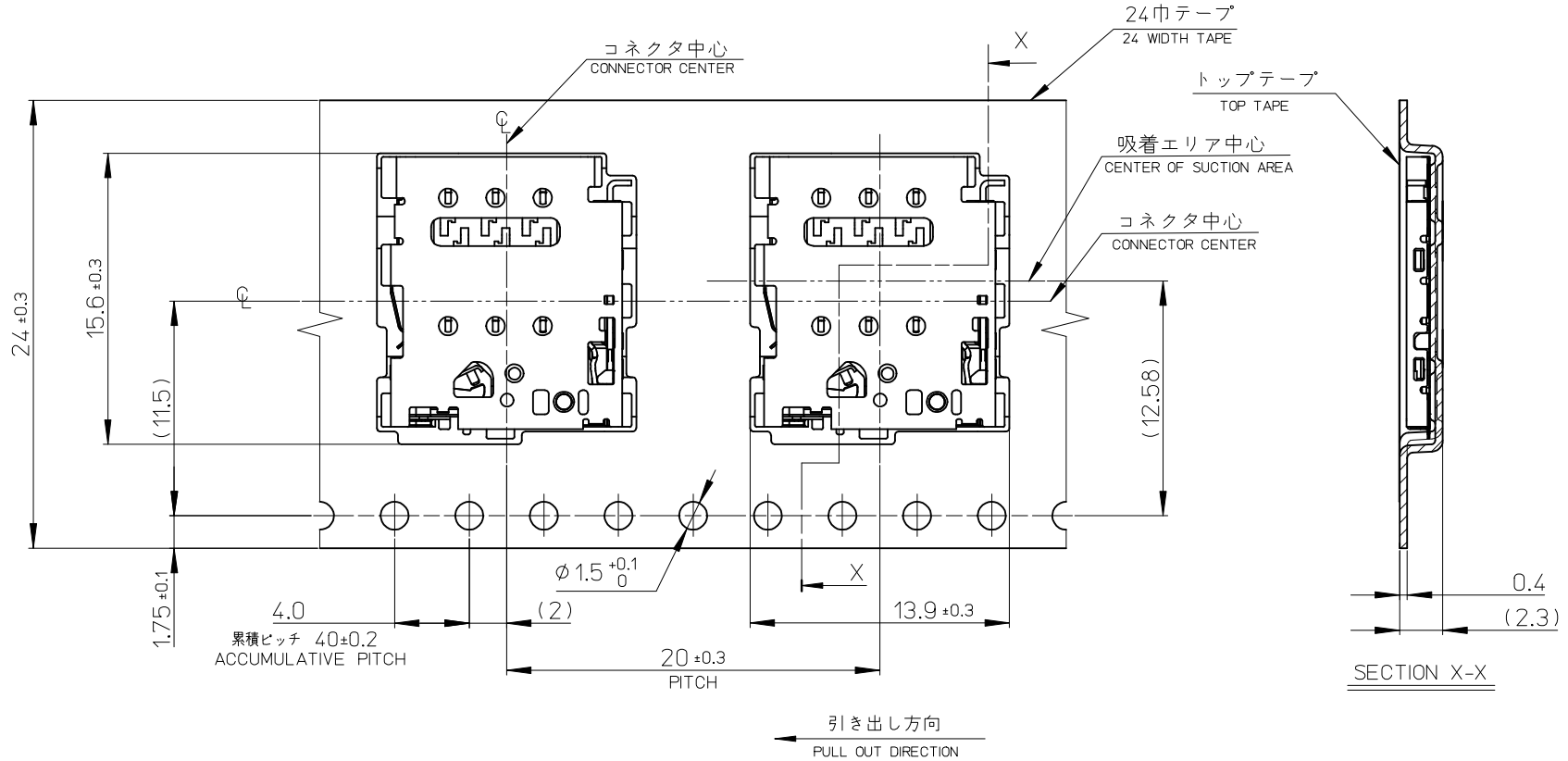


DETAIL "D"

The dimensions are subject to change without notice.
This model has the possibility of changing.

504520-0691	6
EMBOSSED PACKAGE	極数
オーダー番号 ORDER NO.	CIRCUITS
CONNECTOR SERIES No. 504520-****	

GENERAL TOLERANCES (UNLESS SPECIFIED)			DIMENSION STYLE		SCALE	DESIGN UNITS	THIRD ANGLE PROJECTION	
			MM ONLY		---	METRIC	⊙ □	
0.25 UNDER	UNDER	± 0.03	DRAWN BY	DATE	TITLE			
0.25 OVER	0.5 UNDER	± 0.05	YMORINAGA	2014/02/19	NANO SIM CARD CONN. BAR-PUSH TRAY TYPE EMBOSSED TAPE PACKAGE			
0.5 OVER	1.0 UNDER	± 0.1	CHECKED BY	DATE	molex			
1.0 OVER	10 UNDER	± 0.2	TKUSUHARA01	2014/02/19				
10 OVER	30 UNDER	± 0.25	APPROVED BY	DATE	DOCUMENT NO.			
30 OVER		± 0.3	NUKITA	2014/02/21	SD-504520-002			
ANGULAR ± 1 °			MATERIAL NO.		SHEET NO.			
DRAFT WHERE APPLICABLE MUST REMAIN WITHIN DIMENSIONS			SEE CHART		1 OF 2			
			SIZE	THIS DRAWING CONTAINS INFORMATION THAT IS PROPRIETARY TO MOLEX ELECTRONIC TECHNOLOGIES, LLC AND SHOULD NOT BE USED WITHOUT WRITTEN PERMISSION				
			A3					



The dimensions are subject to change without notice.
This model has the possibility of changing.

SEE SHEET 1 OF 2 EC NO: J2017-0313 DRWN: YHONDA01 2016/12/14 CHKD: TASAKAWA 2016/12/14 APPR: TKUSUHARA01 2016/12/19	GENERAL TOLERANCES (UNLESS SPECIFIED)			DIMENSION STYLE MM ONLY		SCALE ---	DESIGN UNITS METRIC	THIRD ANGLE PROJECTION
	0.25 UNDER	UNDER	± 0.03	DRAWN BY	DATE	TITLE		
	0.25 OVER	0.5 UNDER	± 0.05	YMORINAGA	2014/02/19	NANO SIM CARD CONN. BAR-PUSH TRAY TYPE EMBOSSSED TAPE PACKAGE		
	0.5 OVER	1.0 UNDER	± 0.1	TKUSUHARA01	2014/02/19			
	1.0 OVER	30 UNDER	± 0.2	APPROVED BY	DATE			
10 OVER	30 UNDER	± 0.25	NUKITA	2014/02/21				
30 OVER		± 0.3	MATERIAL NO.		DOCUMENT NO.	SHEET NO.		
ANGULAR ±1 °			SEE SHEET 1 OF 2		SD-504520-002	2 OF 2		
DRAFT WHERE APPLICABLE MUST REMAIN WITHIN DIMENSIONS				SIZE A3	THIS DRAWING CONTAINS INFORMATION THAT IS PROPRIETARY TO MOLEX ELECTRONIC TECHNOLOGIES, LLC AND SHOULD NOT BE USED WITHOUT WRITTEN PERMISSION			