



Chipsmall Limited consists of a professional team with an average of over 10 year of expertise in the distribution of electronic components. Based in Hongkong, we have already established firm and mutual-benefit business relationships with customers from,Europe,America and south Asia,supplying obsolete and hard-to-find components to meet their specific needs.

With the principle of “Quality Parts,Customers Priority,Honest Operation,and Considerate Service”,our business mainly focus on the distribution of electronic components. Line cards we deal with include Microchip,ALPS,ROHM,Xilinx,Pulse,ON,Everlight and Freescale. Main products comprise IC,Modules,Potentiometer,IC Socket,Relay,Connector.Our parts cover such applications as commercial,industrial, and automotives areas.

We are looking forward to setting up business relationship with you and hope to provide you with the best service and solution. Let us make a better world for our industry!



## Contact us

Tel: +86-755-8981 8866 Fax: +86-755-8427 6832

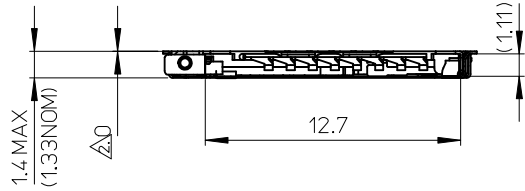
Email & Skype: info@chipsmall.com Web: www.chipsmall.com

Address: A1208, Overseas Decoration Building, #122 Zhenhua RD., Futian, Shenzhen, China

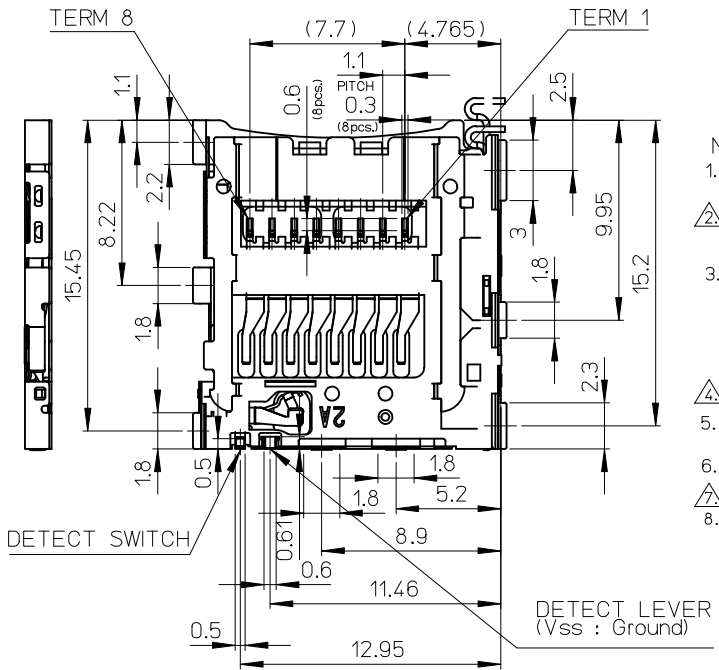
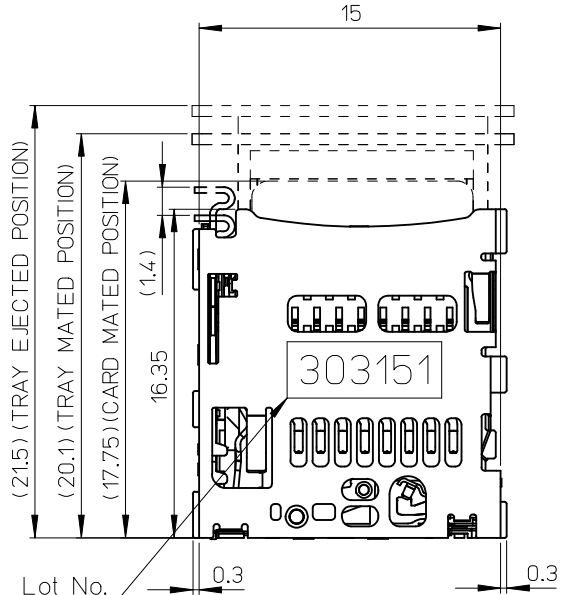


CONFIDENTIAL

No.	NAME	MATERIAL
①	HOUSING	LIQUID CRYSTAL POLYMER UL94V-0, BLACK
②	TERMINAL	COPPER ALLOY
③	SHELL	STAINLESS STEEL
④	EJECT LEVER	STAINLESS STEEL
⑤	EJECT BAR	STAINLESS STEEL
⑥	DETECT LEVER	COPPER ALLOY
⑦	DETECT SWITCH	COPPER ALLOY
⑧	HOOK	STAINLESS STEEL



PIN ASSIGNMENT	
TERM 1:	DATA2
TERM 2:	CD/DAT3
TERM 3:	CMO
TERM 4:	V <sub>DD</sub>
TERM 5:	CLK
TERM 6:	V <sub>SS</sub>
TERM 7:	DAT0
TERM 8:	DAT1



NOTES :

1. TERMINAL AND NAIL COPLANARITY TO BE 0.08 MAXIMUM. (FROM GAUGE PLANE)
- △ STAND OFF DIMENSION (STAND OFF DIMENSION IS INCLUDED IN THE CONNECTOR TOTAL HEIGHT)
3. DETECT SWITCH FUNCTION
 

NO TRAY	OPEN
TRAY EJECTED POSITION	OPEN
TRAY MATED POSITION	CLOSE
- △ PATTERN KEEP OUT AREA DIMENSION
5. (DIMENSION) : REFERENCE VALUE (IT IS A NOT A MANAGEMENT DIMENSION)
6. ELV & RoHS COMPLIANT.
- △ GND RECOMMENDED PATTERN.
8. PLEASE MAKE TRAY BY USING A METALLIC MATERIAL NOT DEFORMED EASILY

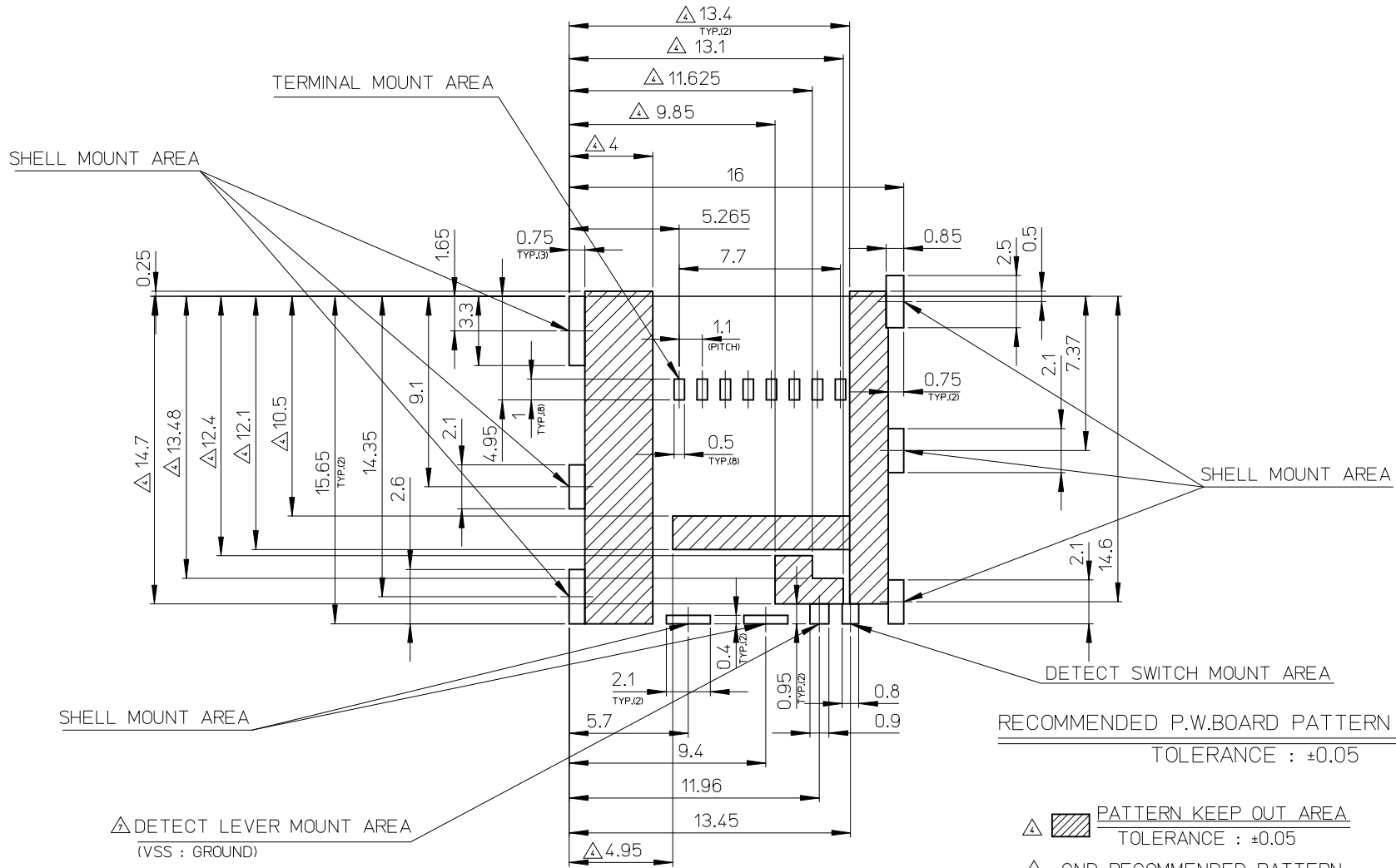
504528-0892	8
EMBOSSED PACKAGE	極数
オーダー番号 ORDER NO.	CIRCUITS
CONNECTOR SERIES No. 504528-****	

THE YEAR OF GRACE  
 2 : 2012#  
 3 : 2013#  
 4 : 2014#  
 MONTH DAY  
 03 : 3# 15 : 15#

LINE No.  
 0 : JAPAN  
 1-9 : DALIAN

REFERENCE ONLY  
 There is a proposed drawing for concept, so the dimensions are subject to change without notice.  
 Also, this model is tentative, and has the possibility of changing.

REVISED	EC No. : J2017-0313	DRWN: YHONDA01 2016/12/09	CHKD: TASAKAWA 2016/12/14	APPR: IKUSUHARA01 2016/12/19	GENERAL TOLERANCES (UNLESS SPECIFIED)		DIMENSION STYLE		SCALE	DESIGN UNITS	THIRD ANGLE PROJECTION
					0.25 UNDER	±0.03	MM ONLY	4:1	METRIC		
A					0.25 OVER	0.5 UNDER	±0.05	DRAWN BY	DATE	TITLE	<b>MICRO SD CONN.                      BAR-PUSH TRAY TYPE                      ASSY</b> <b>molex</b>
					0.5 OVER	1.0 UNDER	±0.1	YMATSUMOTO	2014/01/24		
					1.0 OVER	10 UNDER	±0.2	CHECKED BY	DATE		
					10 OVER	30 UNDER	±0.25	SAKIYAMA	2014/01/24		
					30 OVER		±0.3	APPROVED BY	DATE		
					ANGULAR	±1 °		NUKITA	2014/01/31		
					DRAFT WHERE APPLICABLE MUST REMAIN WITHIN DIMENSIONS			MATERIAL NO.		DOCUMENT NO.	SHEET NO.
								SEE CHART		SD-504528-003	1 OF 3
THIS DRAWING CONTAINS INFORMATION THAT IS PROPRIETARY TO MOLEX ELECTRONIC TECHNOLOGIES, LLC AND SHOULD NOT BE USED WITHOUT WRITTEN PERMISSION											



RECOMMENDED P.W.BOARD PATTERN LAYOUT  
TOLERANCE : ±0.05

- PATTERN KEEP OUT AREA  
TOLERANCE : ±0.05
- GND RECOMMENDED PATTERN.

REFERENCE ONLY  
There is a proposed drawing for concept,  
so the dimensions are subject to change without notice.  
Also, this model is tentative, and has the possibility of changing.

REVISED	EC NO: J2017-0313	2016/12/09	GENERAL TOLERANCES (UNLESS SPECIFIED)		DIMENSION STYLE	SCALE	DESIGN UNITS	THIRD ANGLE PROJECTION
	DRWN:YONDA01	2016/12/14	0.25 UNDER	±0.03	MM ONLY	5:1	METRIC	
A	CHKD:TASAKAWA	2016/12/14	0.25 OVER 0.5 UNDER	±0.05	DRAWN BY	DATE	TITLE	
	APPR:IKUSUHARA01	2016/12/19	0.5 OVER 1.0 UNDER	±0.1	YMATSUMOTO	2014/01/24	MICRO SD CONN. BAR-PUSH TRAY TYPE ASSY	
REV	DESCRIPTION		1.0 OVER 10 UNDER	±0.2	CHECKED BY	DATE	DOCUMENT NO.	
			10 OVER 30 UNDER	±0.25	SAKIYAMA	2014/01/24	SD-504528-003	
			30 OVER	±0.3	APPROVED BY	DATE	SHEET NO.	
			ANGULAR	±1 °	NUKITA	2014/01/31	2 OF 3	
			DRAFT WHERE APPLICABLE MUST REMAIN WITHIN DIMENSIONS		MATERIAL NO.	THIS DRAWING CONTAINS INFORMATION THAT IS PROPRIETARY TO MOLEX ELECTRONIC TECHNOLOGIES, LLC AND SHOULD NOT BE USED WITHOUT WRITTEN PERMISSION		
					SEE SHEET 1 OF 3			

10 9 8 7 6 5 4 3 2 1

F

E

D

C

B

A

F

E

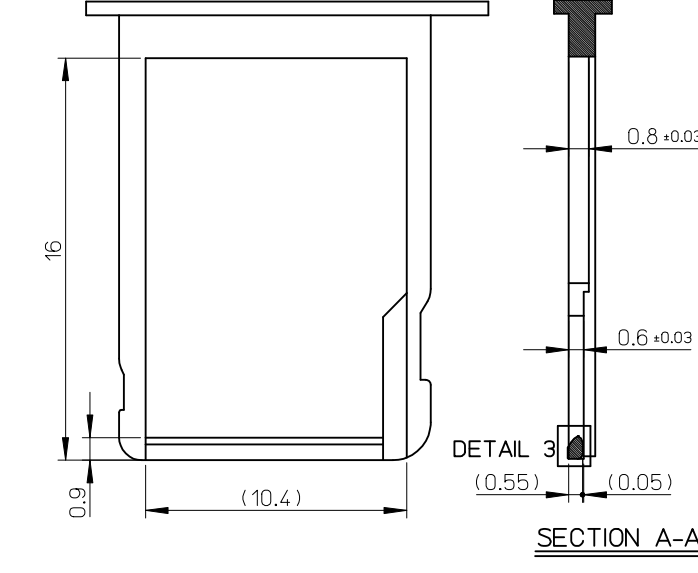
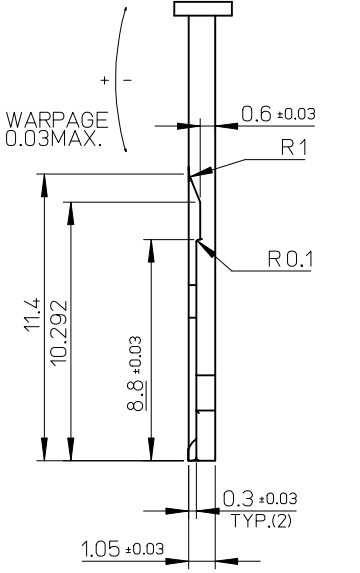
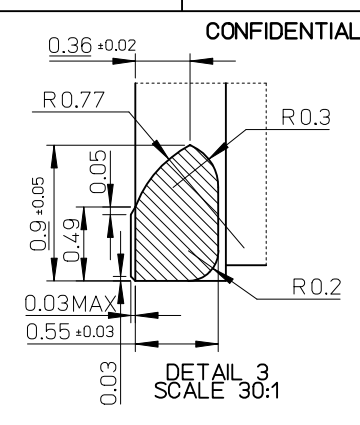
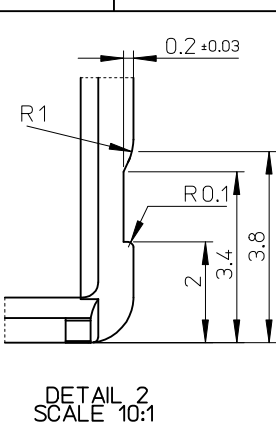
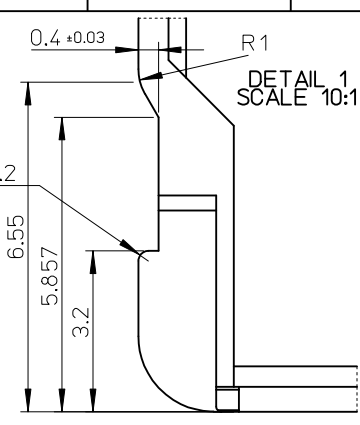
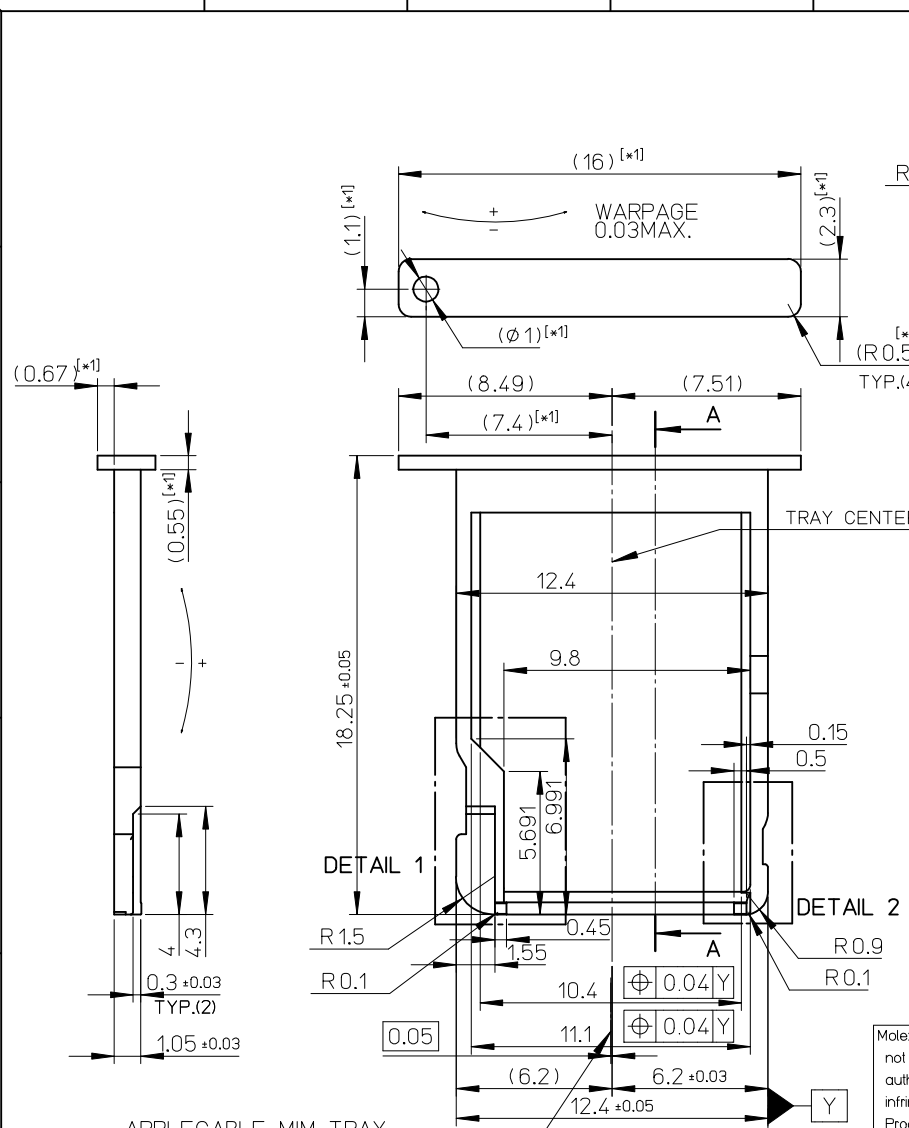
D

C

B

A

CONFIDENTIAL



APPLICABLE MIM TRAY  
(REFERENCE ONLY)

TOLERANCE : ±0.05  
COPRANALITY 0.05MAX  
SURFACE ROUGHNESS : Ra=1 μm MAX.

[x1]CUSTOMER CAN DECIDE THIS DIMENSION.  
REFERENCE ONLY  
There is a proposed drawing for concept,  
so the dimensions are subject to change without notice.  
Also, this model is tentative, and has the possibility of changing.

Molex shall not be responsible for any infringement to the extent such infringement is the result of (a) use of the Product(s) in combination with any other products not provided by Molex if the infringement would not have occurred but for such combination, (b) any alteration or modification of the Product(s) not undertaken or authorized by Molex if the infringement would not have occurred but for such alteration or modification, (c) Molex's compliance with Buyer's specifications if the infringement would not have occurred but for such compliance, or (d) Buyer's failure to comply with Molex's instructions regarded as necessary to render the Product(s) non-infringing if the infringement would not have occurred if Buyer would have complied with Molex's instructions.

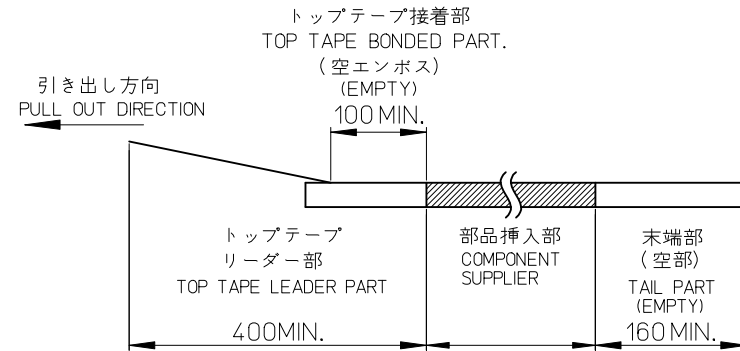
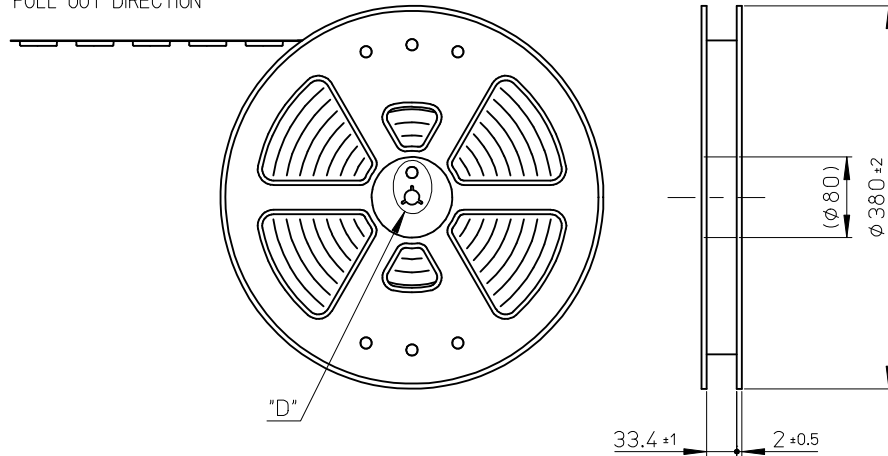
REVISED	EC NO: J2017-031B	2016/12/09	GENERAL TOLERANCES (UNLESS SPECIFIED)		DIMENSION STYLE		SCALE	DESIGN UNITS	THIRD ANGLE PROJECTION
	DRWN: YHONDA01	2016/12/09	0.25 UNDER	±0.03	MM ONLY		5:1	METRIC	
A	CHKD: TASAKAWA	2016/12/14	0.25 OVER	0.5 UNDER	±0.05	DRAWN BY	DATE	TITLE	
	APPR: TKUSUHARA01	2016/12/19	0.5 OVER	1.0 UNDER	±0.1	YMATSUMOTO	2014/01/24	MICRO SD CONN. BAR-PUSH TRAY TYPE ASSY	
REV	DESCRIPTION	1.0 OVER	10 UNDER	±0.2	CHECKED BY	DATE	DOCUMENT NO.	SHEET NO.	
		10 OVER	30 UNDER	±0.25	SAKIYAMA	2014/01/24			
		30 OVER		±0.3	APPROVED BY	DATE			
		ANGULAR	±1 °		NUKITA	2014/01/31			
		DRAFT WHERE APPLICABLE MUST REMAIN WITHIN DIMENSIONS			SIZE	THIS DRAWING CONTAINS INFORMATION THAT IS PROPRIETARY TO MOLEX ELECTRONIC TECHNOLOGIES, LLC AND SHOULD NOT BE USED WITHOUT WRITTEN PERMISSION			
					A3	SEE SHEET 1 OF 3		SD-504528-003	3 OF 3

NOTES

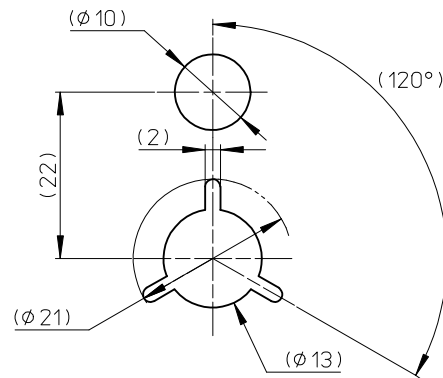
CONFIDENTIAL

- 製品詳細寸法は製品単体図面を参照して下さい。  
FOR DETAIL OF CONNECTOR DIMENSIONS, PLEASE SEE THE DRAWING OF CONNECTOR ITSELF (NOT PACKAGED)
- 梱包数量: 1400個/リール  
NUMBER OF CONNECTORS: 1400 PCS/REEL.
- リードテープ長さ LEAD TAPE LENGTH.

引き出し方向  
PULL OUT DIRECTION



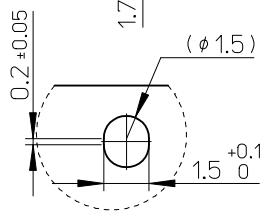
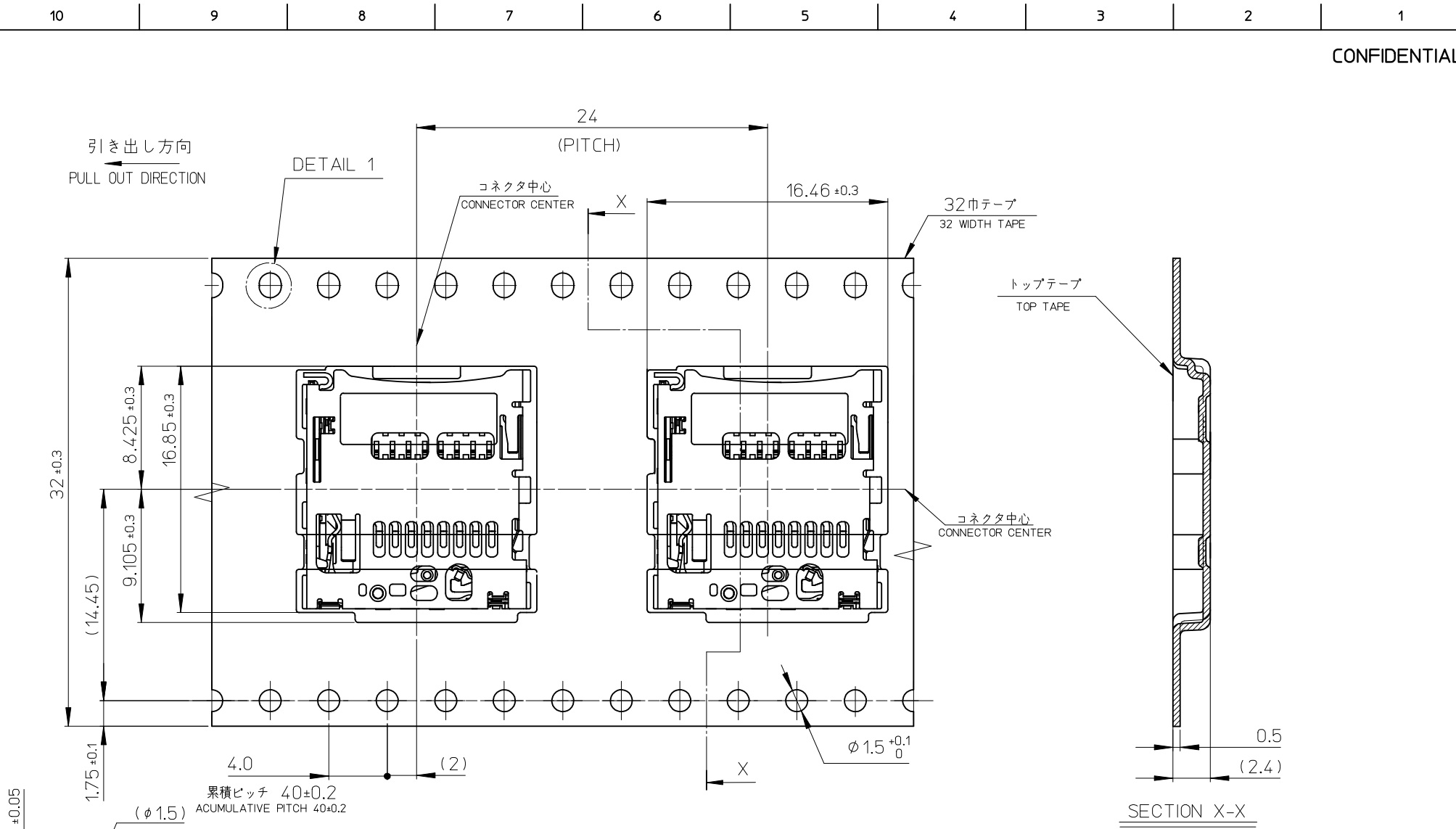
- カバーテープの剝離強度については、IEC60286-3に準拠  
Cover tape peel force is defined by IEC60286-3.
- 材料 MATERIAL  
キャリアテープ(CARRIER TAPE): ポリスチレン (POLYSTYRENE)  
トップテープ(TOP TAPE): PET, PE, PEF  
リール(REEL): ポリスチレン(PS)<リサイクル材含む>  
POLYSTYRENE (PS)<RECYCLE MATERIAL CONTAINED>
- ELV AND RoHS COMPLIANT



DETAIL "D"

504528-0821	504528-0892	504528-08**
CONNECTOR ONLY		MODEL NO.
ORDER No. オーダー番号		DESIGN UNITS

REVISED EC NO: J2017-0313 DRWN: YHONDA01 2016/12/09 CHKD: TASAKAWA 2016/12/14 APPR: KUSUHARA01 2016/12/19	GENERAL TOLERANCES (UNLESS SPECIFIED)		DIMENSION STYLE MM ONLY		SCALE ---	DESIGN UNITS METRIC	THIRD ANGLE PROJECTION
	0.25 UNDER	±0.03	DRAWN BY	DATE	TITLE		
	0.25 OVER 0.5 UNDER	±0.05	YMATSUMOTO	2014/01/24	MICRO SD CARD CONN. BAR-PUSH TRAY TYPE EMBOSSED TAPE PACKAGE		
	0.5 OVER 1.0 UNDER	±0.1	SAKIYAMA	2014/01/24	molex		
1.0 OVER 10 UNDER	±0.2	APPROVED BY	DATE	MATERIAL NO.	DOCUMENT NO.	SHEET NO.	
10 OVER 30 UNDER	±0.25	NUKITA	2014/01/31	SEE CHART	SD-504528-004	1 OF 2	
30 OVER	±0.3	DRAFT WHERE APPLICABLE MUST REMAIN WITHIN DIMENSIONS		THIS DRAWING CONTAINS INFORMATION THAT IS PROPRIETARY TO MOLEX ELECTRONIC TECHNOLOGIES, LLC AND SHOULD NOT BE USED WITHOUT WRITTEN PERMISSION			
ANGULAR ±1 °		SIZE					
A		A3					



DETAIL 1  
SCALE 3:1

SECTION X-X

REVISED EC NO: J2017-0313 DRWN: YHONAO1 2016/12/09 CHKD: TASAKAWA 2016/12/14 APPR: KUSUHARA01 2016/12/19	GENERAL TOLERANCES (UNLESS SPECIFIED)		DIMENSION STYLE MM ONLY		SCALE ---	DESIGN UNITS METRIC	THIRD ANGLE PROJECTION	
	0.25 UNDER	±0.03	DRAWN BY	DATE	TITLE			
	0.25 OVER 0.5 UNDER	±0.05	YMATSUMOTO	2014/01/24	MICRO SD CARD CONN. BAR-PUSH TRAY TYPE EMBOSSSED TAPE PACKAGE			
	0.5 OVER 1.0 UNDER	±0.1	CHECKED BY	DATE				
	1.0 OVER 30 UNDER	±0.2	SAKIYAMA	2014/01/24				
10 OVER 30 UNDER	±0.25	APPROVED BY	DATE	SEE SHEET 1 OF 2		DOCUMENT NO.	SHEET NO.	
30 OVER	±0.3	NUKITA	2014/01/31	MATERIAL NO.		SD-504528-004		2 OF 2
ANGULAR	±1 °	DRAFT WHERE APPLICABLE MUST REMAIN WITHIN DIMENSIONS		SIZE A3		THIS DRAWING CONTAINS INFORMATION THAT IS PROPRIETARY TO MOLEX ELECTRONIC TECHNOLOGIES, LLC AND SHOULD NOT BE USED WITHOUT WRITTEN PERMISSION		