



Chipsmall Limited consists of a professional team with an average of over 10 year of expertise in the distribution of electronic components. Based in Hongkong, we have already established firm and mutual-benefit business relationships with customers from,Europe,America and south Asia,supplying obsolete and hard-to-find components to meet their specific needs.

With the principle of "Quality Parts,Customers Priority,Honest Operation,and Considerate Service",our business mainly focus on the distribution of electronic components. Line cards we deal with include Microchip,ALPS,ROHM,Xilinx,Pulse,ON,Everlight and Freescale. Main products comprise IC,Modules,Potentiometer,IC Socket,Relay,Connector.Our parts cover such applications as commercial,industrial, and automotives areas.

We are looking forward to setting up business relationship with you and hope to provide you with the best service and solution. Let us make a better world for our industry!



Contact us

Tel: +86-755-8981 8866 Fax: +86-755-8427 6832

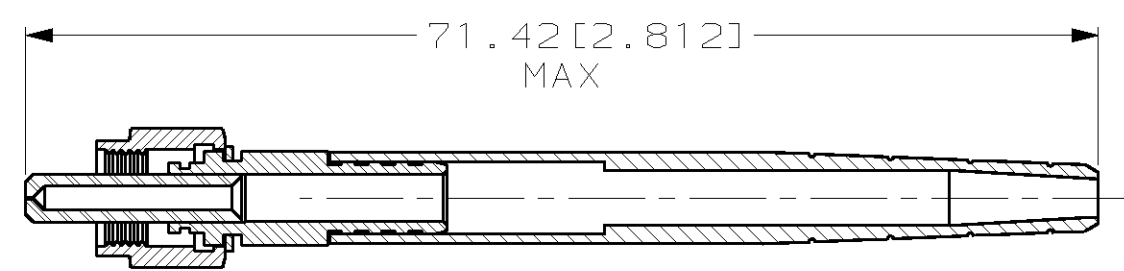
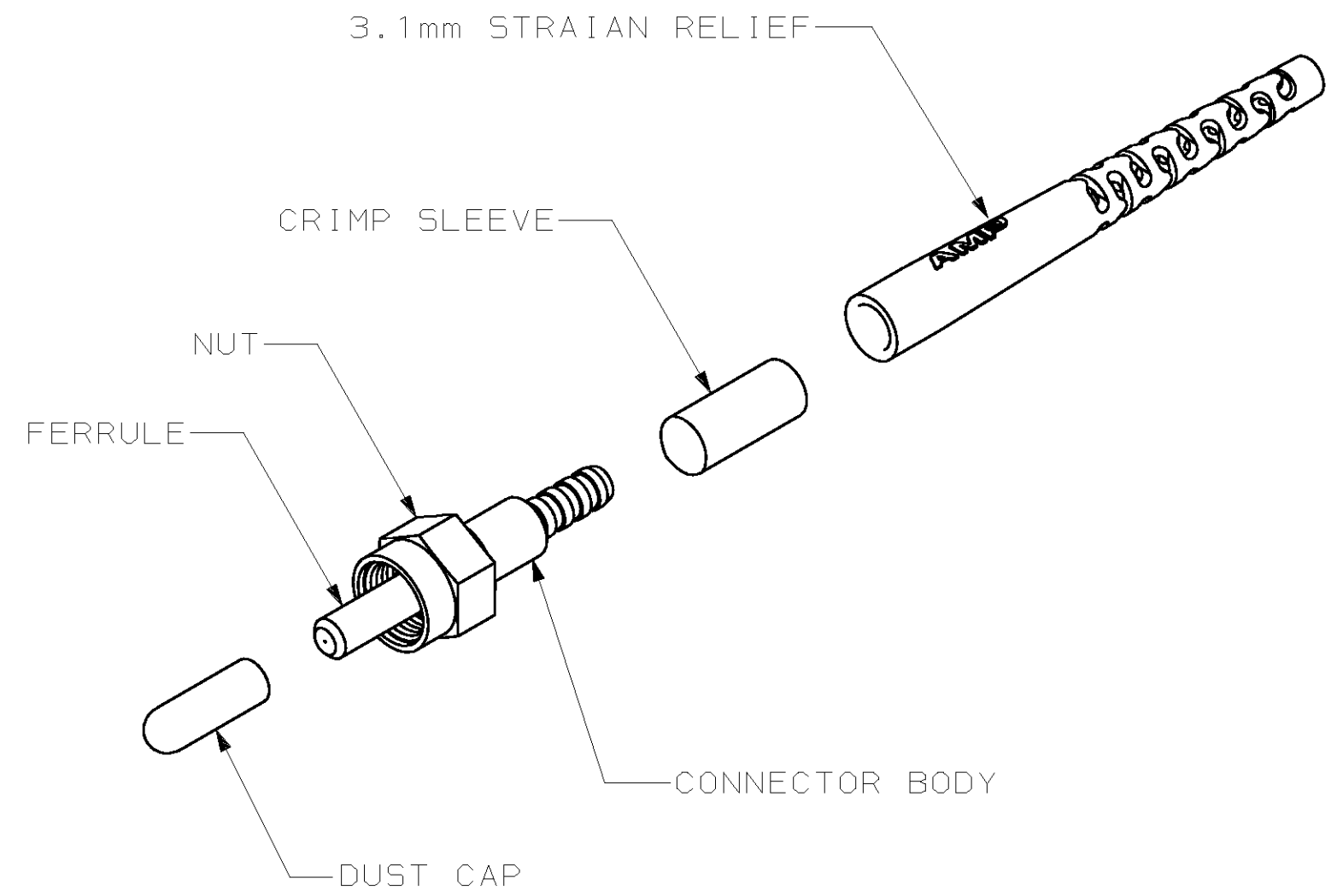
Email & Skype: info@chipsmall.com Web: www.chipsmall.com

Address: A1208, Overseas Decoration Building, #122 Zhenhua RD., Futian, Shenzhen, China



THIS DRAWING IS UNPUBLISHED. RELEASED FOR PUBLICATION
 (C) COPYRIGHT 19 BY AMP INCORPORATED. ALL RIGHTS RESERVED.

LOC	DIST	REVISIONS					
		P	LTR	DESCRIPTION	DATE	DWN	APVD
CE	16		D	REVISED PER 0A00-0267-01	12DEC2001	TA	SB



- 1 MATERIAL:
- a) FERRULE-STAINLESS STEEL
 - b) CONNECTOR BODY-COPPER ALLOY
 - c) NUT-COPPER ALLOY
 - d) CRIMP SLEEVE-COPPER ALLOY
 - e) BOOT- THERMOPLASTIC ELASTOMER, COLOR: BLACK
 - f) DUST CAP-VINYL, COLOR: RED
- 2 FINISH:
- a) CONNECTOR BODY-NICKEL PLATE
 - b) NUT-NICKEL PLATE
 - c) CRIMP SLEEVE-NICKEL PLATE
- 3 BULK PACKAGED 50 PER UNIT

OBSOLETE	600µm	3	4	504566	1
OBSOLETE	436µm	3	4	504566	0
OBSOLETE	240µm	3	3	504566	9
OBSOLETE	231µm	3	3	504566	8
OBSOLETE	125µm	3	3	504566	7
OBSOLETE	.082in	3		504566	6
OBSOLETE	.065in	3		504566	5
OBSOLETE	.047in	3		504566	4
OBSOLETE	.046in	3		504566	3
OBSOLETE	.043in	3		504566	2
	.042in	3		504566	1
	.039in	3		504566	0
OBSOLETE	860µm	2		504566	9
	641µm	2		504566	8
OBSOLETE	640µm	2		504566	7
OBSOLETE	600µm	2		504566	6
OBSOLETE	535µm	2		504566	5
OBSOLETE	500µm	2		504566	4
OBSOLETE	470µm	2		504566	3
OBSOLETE	460µm	2		504566	2
OBSOLETE	450µm	2		504566	1
	436µm	2		504566	0
OBSOLETE	430µm	1		504566	9
OBSOLETE	410µm	1		504566	8
OBSOLETE	400µm	1		504566	7
OBSOLETE	350µm	1		504566	6
OBSOLETE	340µm	1		504566	5
	336µm	1		504566	4
OBSOLETE	320µm	1		504566	3
OBSOLETE	280µm	1		504566	2
	270µm	1		504566	1
	267µm	1		504566	0
	250µm			504566	9
OBSOLETE	240µm			504566	8
	231µm			504566	7
OBSOLETE	229µm			504566	6
OBSOLETE	200µm			504566	5
OBSOLETE	170µm			504566	4
OBSOLETE	145µm			504566	3
	140µm			504566	2
	125µm			504566	1
	FIBER HOLE SIZE			PART NUMBER	

THIS DRAWING IS A CONTROLLED DOCUMENT.		DWN	P. YEAGER	1-18-93
DIMENSIONS: mm [INCHES]		CHK	R. HILEMAN	1-27-93
TOLERANCES UNLESS OTHERWISE SPECIFIED:		APVD	S. BUCHTER	1-27-93
0 PLC ±-	1 PLC ±-	NAME		
2 PLC ±-	3 PLC ±-	AMP Incorporated		
4 PLC ±-	ANGLES ±-	Harrisburg, PA 17105-3608		
MATERIAL 1	FINISH 2	CONNECTOR KIT, SMA 905		
		STAINLESS FRONT BODY, BRASS		
		REAR BODY, 3.1mm CABLE		
		SIZE	CAGE CODE	DRAWING NO
		WEIGHT	A2 00779	C-504566
		CUSTOMER DRAWING	SCALE	SHEET
			2:1	1 OF 1
				REV D