



Chipsmall Limited consists of a professional team with an average of over 10 year of expertise in the distribution of electronic components. Based in Hongkong, we have already established firm and mutual-benefit business relationships with customers from,Europe,America and south Asia,supplying obsolete and hard-to-find components to meet their specific needs.

With the principle of “Quality Parts,Customers Priority,Honest Operation,and Considerate Service”,our business mainly focus on the distribution of electronic components. Line cards we deal with include Microchip,ALPS,ROHM,Xilinx,Pulse,ON,Everlight and Freescale. Main products comprise IC,Modules,Potentiometer,IC Socket,Relay,Connector.Our parts cover such applications as commercial,industrial, and automotives areas.

We are looking forward to setting up business relationship with you and hope to provide you with the best service and solution. Let us make a better world for our industry!



Contact us

Tel: +86-755-8981 8866 Fax: +86-755-8427 6832

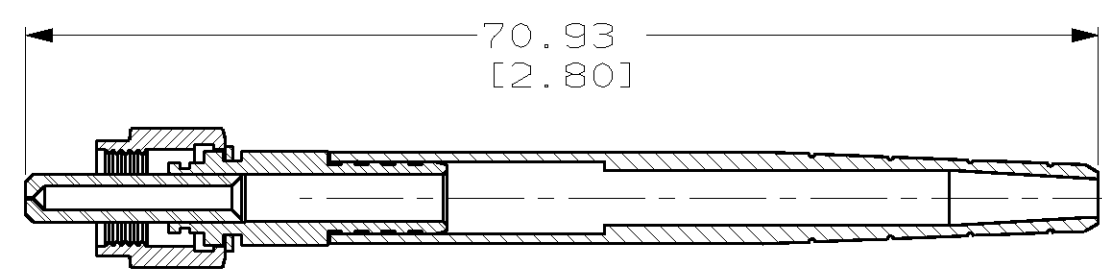
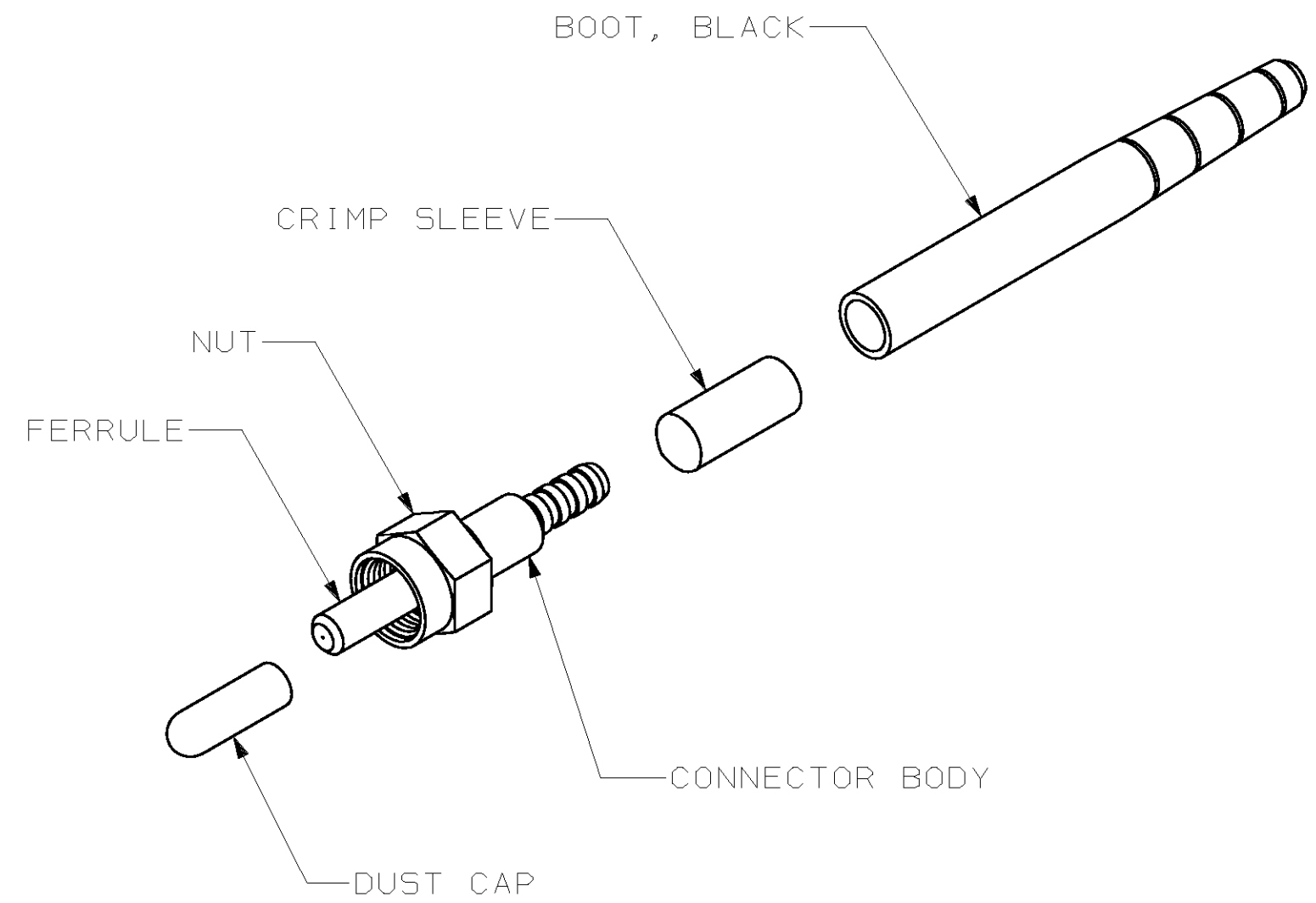
Email & Skype: info@chipsmall.com Web: www.chipsmall.com

Address: A1208, Overseas Decoration Building, #122 Zhenhua RD., Futian, Shenzhen, China



THIS DRAWING IS UNPUBLISHED. RELEASED FOR PUBLICATION
 (C) COPYRIGHT 19 BY AMP INCORPORATED. ALL RIGHTS RESERVED.

LOC	DIST	REVISIONS					
		P	LTR	DESCRIPTION	DATE	DWN	APVD
CE	16	J		REVISE PER 0A00-0669-02	15AUG02	KG	5B



- 1 MATERIAL:
- a) FERRULE-STAINLESS STEEL
 - b) CONNECTOR BODY-COPPER ALLOY
 - c) NUT-COPPER ALLOY
 - d) CRIMP SLEEVE-COPPER ALLOY
 - e) BOOT-GEON VINYL, COLOR:BLACK
 - f) DUST CAP-VINYL, COLOR:RED

- 2 FINISH:
- a) CONNECTOR BODY-NICKEL PLATE
 - b) NUT-NICKEL PLATE
 - c) CRIMP SLEEVE-NICKEL PLATE

3 BULK PACKAGED 50 PER UNIT

4 PACKAGE MARKED WITH "EB R1860"

	DESCRIPTION	FIBER HOLE SIZE	PART NUMBER
	STANDARD CONNECTOR KIT	720um	3-504567-9
	STANDARD CONNECTOR KIT	490um	3-504567-8
	STANDARD CONNECTOR KIT	250um	3-504567-7
OBSOLETE	NO CRIMP SLEEVE	600um	3-504567-6
OBSOLETE	NO CRIMP SLEEVE	600um	3-504567-5
OBSOLETE	NO CRIMP SLEEVE-NO BOOT	231um	3-504567-4
	STANDARD CONNECTOR KIT	.082in	3-504567-3
	STANDARD CONNECTOR KIT	.065in	3-504567-2
OBSOLETE	STANDARD CONNECTOR KIT	.047in	3-504567-1
OBSOLETE	STANDARD CONNECTOR KIT	.046in	3-504567-0
	STANDARD CONNECTOR KIT	.042in	2-504567-9
OBSOLETE	STANDARD CONNECTOR KIT	.039in	2-504567-8
OBSOLETE	STANDARD CONNECTOR KIT	860um	2-504567-7
OBSOLETE	STANDARD CONNECTOR KIT	641um	2-504567-6
	STANDARD CONNECTOR KIT	640um	2-504567-5
OBSOLETE	STANDARD CONNECTOR KIT	600um	2-504567-4
OBSOLETE	STANDARD CONNECTOR KIT	500um	2-504567-3
OBSOLETE	STANDARD CONNECTOR KIT	470um	2-504567-2
OBSOLETE	STANDARD CONNECTOR KIT	460um	2-504567-1
OBSOLETE	STANDARD CONNECTOR KIT	450um	2-504567-0
OBSOLETE	STANDARD CONNECTOR KIT	436um	1-504567-9
OBSOLETE	STANDARD CONNECTOR KIT	410um	1-504567-8
OBSOLETE	STANDARD CONNECTOR KIT	400um	1-504567-7
OBSOLETE	STANDARD CONNECTOR KIT	350um	1-504567-6
OBSOLETE	STANDARD CONNECTOR KIT	340um	1-504567-5
OBSOLETE	STANDARD CONNECTOR KIT	336um	1-504567-4
OBSOLETE	STANDARD CONNECTOR KIT	320um	1-504567-3
OBSOLETE	STANDARD CONNECTOR KIT	280um	1-504567-2
OBSOLETE	STANDARD CONNECTOR KIT	270um	1-504567-1
OBSOLETE	STANDARD CONNECTOR KIT	267um	1-504567-0
OBSOLETE	STANDARD CONNECTOR KIT	250um	504567-9
OBSOLETE	STANDARD CONNECTOR KIT	240um	504567-8
OBSOLETE	STANDARD CONNECTOR KIT	231um	504567-7
OBSOLETE	STANDARD CONNECTOR KIT	229um	504567-6
OBSOLETE	STANDARD CONNECTOR KIT	200um	504567-5
OBSOLETE	STANDARD CONNECTOR KIT	170um	504567-4
OBSOLETE	STANDARD CONNECTOR KIT	145um	504567-3
	STANDARD CONNECTOR KIT	140um	504567-2
	STANDARD CONNECTOR KIT	125um	504567-1

THIS DRAWING IS A CONTROLLED DOCUMENT.		DWN P. YEAGER 1-18-93	AMP Incorporated Harrisburg, PA 17105-3608
		CHK R. HILEMAN 1-27-93	
		APVD S. BUCHTER 1-27-93	
		NAME	
DIMENSIONS: mm [INCHES]	TOLERANCES UNLESS OTHERWISE SPECIFIED: 0 PLC ± 1 PLC ± 2 PLC ± 3 PLC ± 4 PLC ± ANGLES ±	PRODUCT SPEC	CONNECTOR KIT, SMA 905 STAINLESS FRONT BODY, BRASS REAR BODY, 4.3mm CABLE
MATERIAL 1	FINISH 2	APPLICATION SPEC	RESTRICTED TO
		WEIGHT -	SIZE A2 CAGE CODE 00779 DRAWING NO C-504567
		CUSTOMER DRAWING	SCALE 2:1 SHEET 1 OF 1 REV J