



Chipsmall Limited consists of a professional team with an average of over 10 year of expertise in the distribution of electronic components. Based in Hongkong, we have already established firm and mutual-benefit business relationships with customers from,Europe,America and south Asia,supplying obsolete and hard-to-find components to meet their specific needs.

With the principle of “Quality Parts,Customers Priority,Honest Operation,and Considerate Service”,our business mainly focus on the distribution of electronic components. Line cards we deal with include Microchip,ALPS,ROHM,Xilinx,Pulse,ON,Everlight and Freescale. Main products comprise IC,Modules,Potentiometer,IC Socket,Relay,Connector.Our parts cover such applications as commercial,industrial, and automotives areas.

We are looking forward to setting up business relationship with you and hope to provide you with the best service and solution. Let us make a better world for our industry!



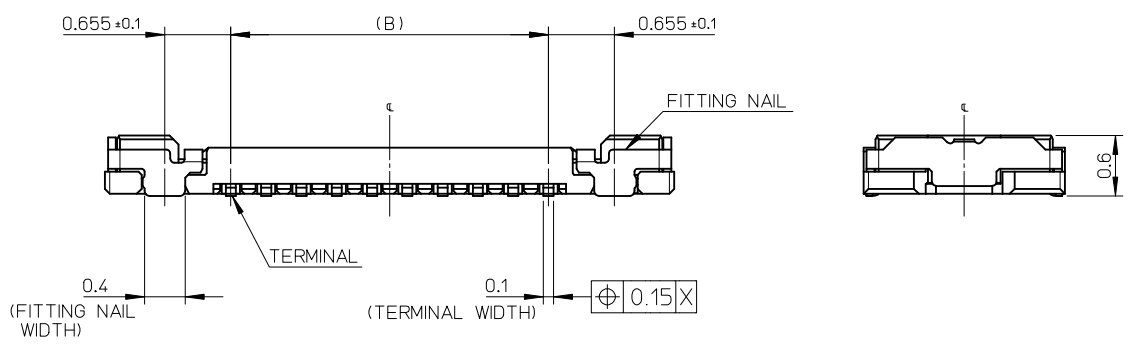
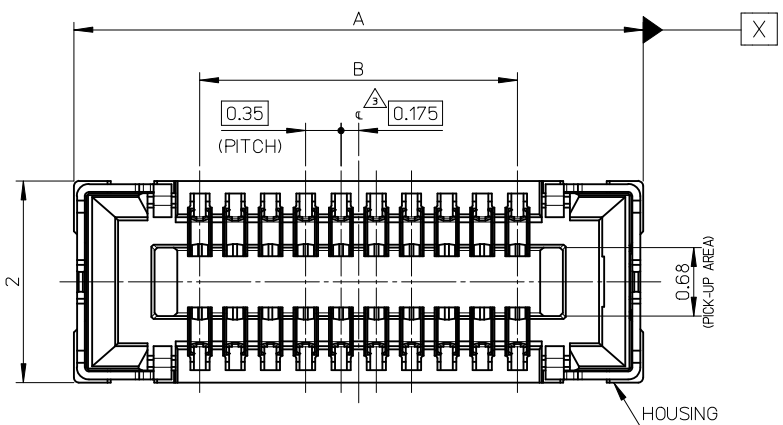
Contact us

Tel: +86-755-8981 8866 Fax: +86-755-8427 6832

Email & Skype: info@chipsmall.com Web: www.chipsmall.com

Address: A1208, Overseas Decoration Building, #122 Zhenhua RD., Futian, Shenzhen, China





- NOTES
- MATERIAL
HOUSING : LIQUID CRYSTAL POLYMER UL94V-0(COLOR : BLACK)
TERMINAL : COPPER ALLOY
FITTING NAIL : COPPER ALLOY
 - PLATING
TERMINAL
GOLD
UNDER PLATING : NICKEL
*DIVIDE INTO PARTS THE GOLD PLATING OF THE CONTACT AND THE TAIL PART BY THE NICKEL PLATING.
FITTING NAIL
GOLD
UNDER PLATING : NICKEL
 - APPLY FOR (CIRCUIT/2)=EVEN.
 - MATE WITH : 504622-**10
 - TAIL AND FITTING NAIL COPLANARITY TO BE 0.08MAXIMUM.
 - PROHIBITED AREA OF PATTERN WIRING AND SOLDER.
(FOR EACH AREA, THE WIRING THAT TOUCHES ON THE SOLDER CAN BE ATTACHED, THEN COVERED WITH A FILM TO KEEP SOLDER OUT.)
 - ELV and RoHS COMPLIANT.
 - ELECTRIC SPEC OF FITTING NAIL IS NOT GUARANTEED WHEN MATED.

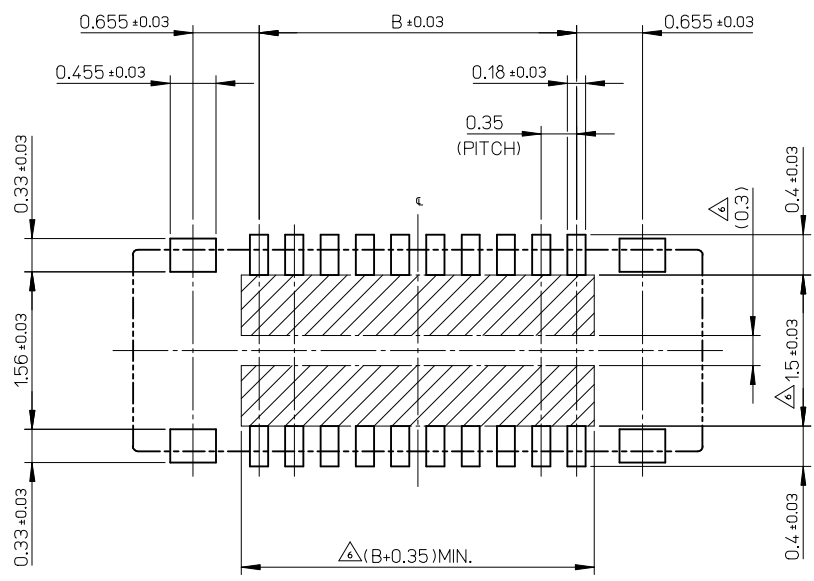
11.90	14.40	504618-7010	o	---	70
10.85	13.35	504618-6410	o	---	64
10.15	12.65	504618-6010	---	---	60
9.8	12.30	504618-5810	---	---	58
9.10	11.60	504618-5410	---	---	54
8.40	10.90	504618-5010	o	---	50
8.05	10.55	504618-4810	---	---	48
7.00	9.50	504618-4210	---	---	42
6.65	9.15	504618-4010	o	---	40
6.30	8.80	504618-3810	---	---	38
5.60	8.10	504618-3410	o	---	34
4.90	7.40	504618-3010	o	---	30
3.85	6.35	504618-2410	o	---	24
3.15	5.65	504618-2010	o	---	20
2.80	5.30	504618-1810	---	---	18
2.45	4.95	504618-1610	---	---	16
1.75	4.25	504618-1210	---	---	12
1.40	3.90	504618-1010	o	---	10
0.70	3.20	504618-0610	---	---	6
B	A	EMBOSSSED TAPE PACKAGE	HIGH VOL. TOOL	LOW VOL. TOOL	CIRCUIT
		ORDER NO.	SAMPLE PREPARATION o : TOOLED Δ : WORK IN PROCESS --- : TOOLING TO BE CONFIRMED		

CONNECTOR SERIES No. : 504618-**09

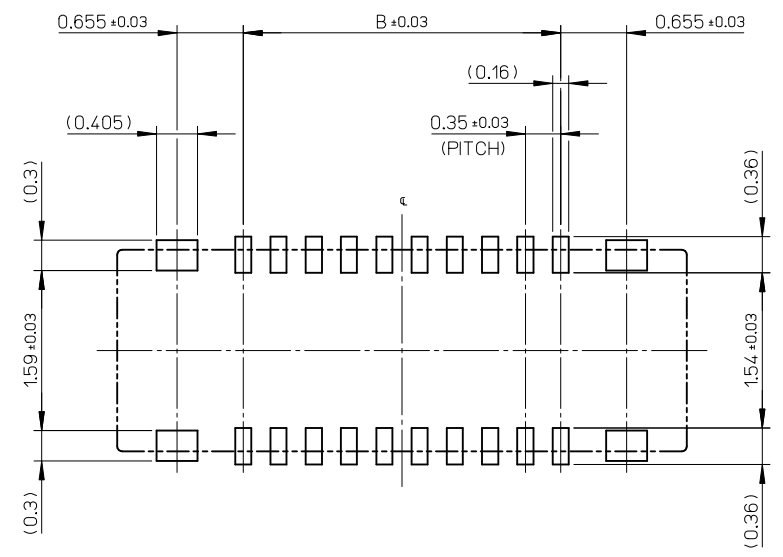
DIMENSION STYLE MM ONLY	SCALE 20:1	DESIGN UNITS METRIC	THIRD ANGLE PROJECTION
DRAWN BY HON001	DATE 2014/02/24	TITLE 0.35 BB CONN. H=0.6 SSB6 REC. ASSY	
CHECKED BY RTAKEUCHI	DATE 2014/02/24		
APPROVED BY KMORIKAWA	DATE 2014/04/17		
MATERIAL NO. SEE CHART		DOCUMENT NO. SD-504618-001	SHEET NO. 1 OF 2

THIS DRAWING CONTAINS INFORMATION THAT IS PROPRIETARY TO MOLEX INCORPORATED AND SHOULD NOT BE USED WITHOUT WRITTEN PERMISSION

REVISED	EC NO: J2015-0816	2014/12/16	GENERAL TOLERANCES (UNLESS SPECIFIED)
	DRWN:MYOSHIDA	2014/12/16	10 UNDER ±0.2
	CHKD:RTAKEUCHI	2014/12/16	10 OVER 30 UNDER ±0.25
	APPR:KMORIKAWA	2014/12/17	30 OVER ±0.3
REV	DESCRIPTION	ANGULAR ±1 °	DRAFT WHERE APPLICABLE MUST REMAIN WITHIN DIMENSIONS

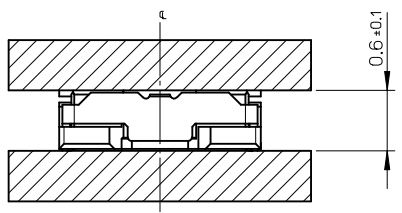


RECOMMENDED P.W.BOARD PATTERN LAYOUT(REFERENCE)



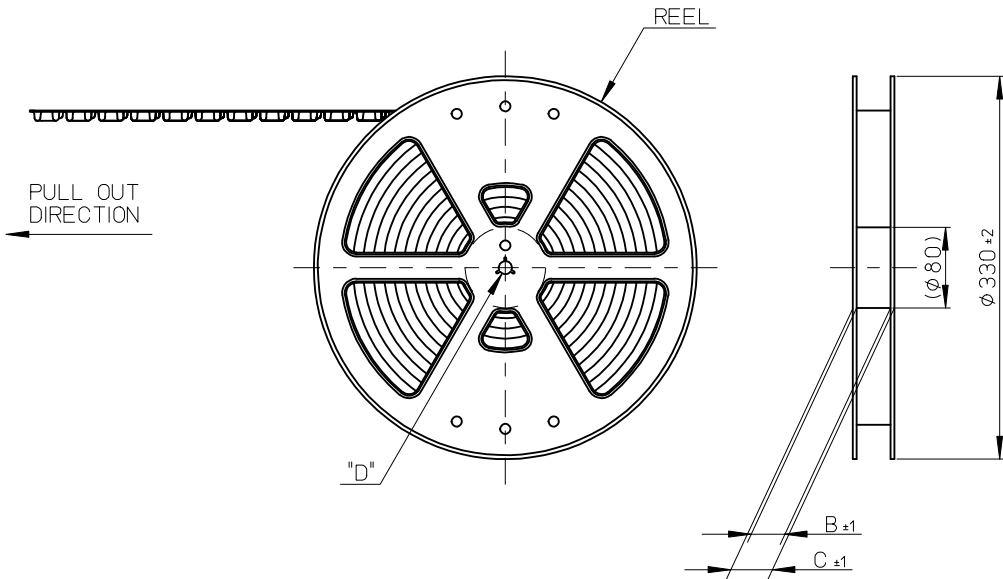
RECOMMENDED METAL MASK LAYOUT(REFERENCE)

RECOMMENDED THICKNESS OF METAL MASK : t=0.08mm
 RECOMMENDED OPEN APERTURE RATIO OF METAL MASK : 80%



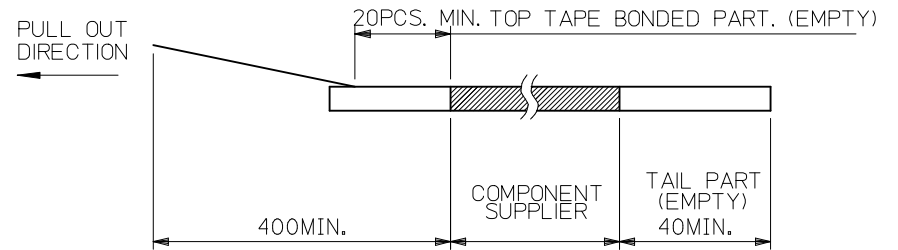
MATED CONDITION

REVISED EC NO: J2015-0816 DRWN:MYOSHIDA 2014/12/16 CHKD:RTAKEUCHI 2014/12/16 APPR:KMORIKAWA 2014/12/17	GENERAL TOLERANCES (UNLESS SPECIFIED)		DIMENSION STYLE MM ONLY	SCALE 20:1	DESIGN UNITS METRIC	THIRD ANGLE PROJECTION
	10 UNDER	± 0.2	DRAWN BY HON001	DATE 2014/02/24	TITLE 0.35 BB CONN. H=0.6 SSB6 REC. ASSY	
	10 OVER 30 UNDER	± 0.25	CHECKED BY RTAKEUCHI	DATE 2014/02/24		
	30 OVER	± 0.3	APPROVED BY KMORIKAWA	DATE 2014/04/17		
ANGULAR	± 1 °	MATERIAL NO. SEE SHEET 1	DOCUMENT NO. SD-504618-001	SHEET NO. 2 OF 2		
DRAFT WHERE APPLICABLE MUST REMAIN WITHIN DIMENSIONS		SIZE A3	THIS DRAWING CONTAINS INFORMATION THAT IS PROPRIETARY TO MOLEX INCORPORATED AND SHOULD NOT BE USED WITHOUT WRITTEN PERMISSION			

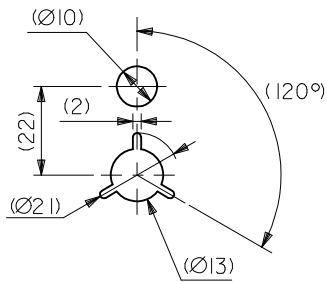


NOTES

1. RE DETAILED DIMENSION, SEE PRODUCT DRAWING.
2. NUMBER OF CONNECTORS : 3000PCS/REEL
3. LEAD TAPE LENGTH

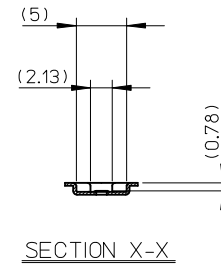
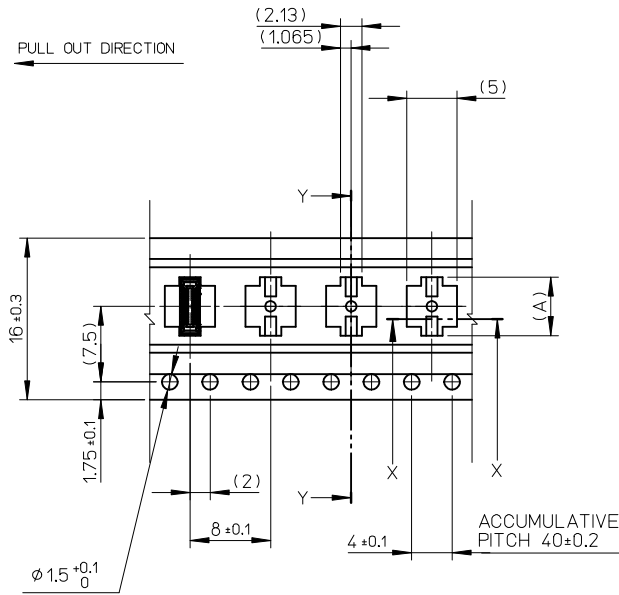
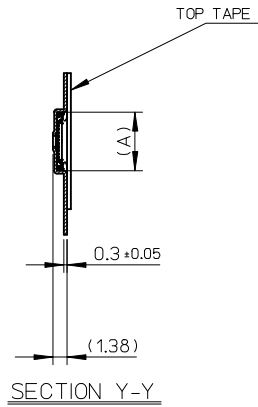


4. TOP TAPE PEEL FORCE IS DEFINED BY IEC60286-3.
5. MATERIAL
CARRIER TAPE : POLYSTYRENE
TOP TAPE : PET , OTHER
REEL : POLYSTYRENE (PS) <RECYCLE MATERIAL CONTAINED>
6. ELV AND RoHS COMPLIANT



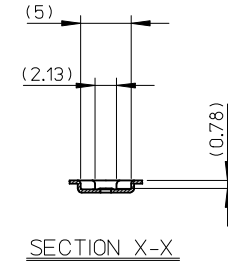
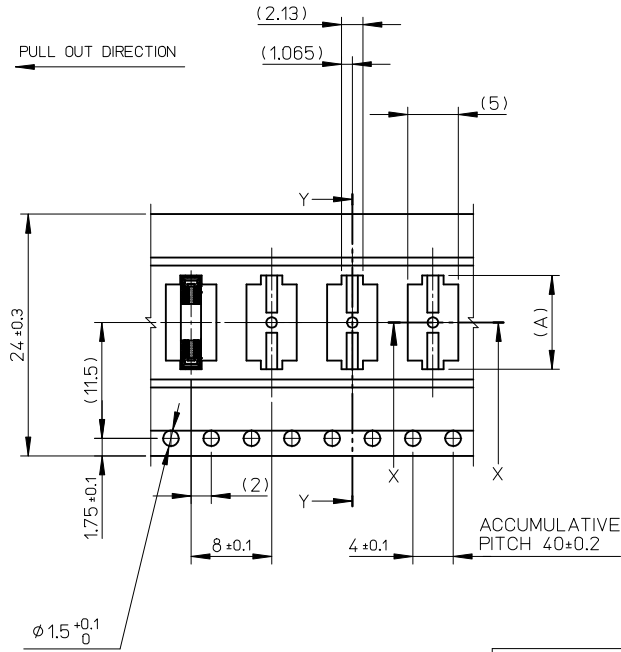
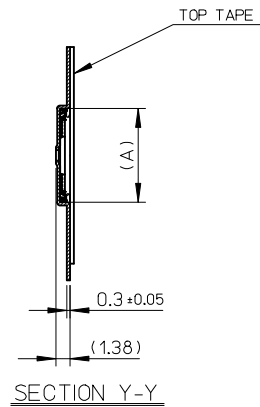
DETAIL "D"

REVISED EC NO: J2015-0816 DRWN:MYOSHIDA 2014/12/16 CHKD:RTAKEUCHI 2014/12/16 APPR:KMORIKAWA 2014/12/17	GENERAL TOLERANCES (UNLESS SPECIFIED)		DIMENSION STYLE	SCALE	MODEL NO.	504618-**-10
			MM ONLY	1:5	DESIGN UNITS	METRIC
	10 UNDER ± 0.2 10 OVER 30 UNDER ± 0.25 30 OVER ± 0.3 ANGULAR ± 1 ° DRAFT WHERE APPLICABLE MUST REMAIN WITHIN DIMENSIONS		DRAWN BY HON001 DATE 2014/02/24 CHECKED BY RTAKEUCHI DATE 2014/02/24 APPROVED BY KMORIKAWA DATE 2014/04/17 MATERIAL NO. SEE CHART	TITLE	0.35 BB CONN. H=0.6 SSB6 REC. ASSY EMBSTP PKG molex	
				DOCUMENT NO.	SD-504618-002	SHEET NO.



16	21.4	17.4	7.54	504618-3010	o	---	30		
			6.49	504618-2410	o	---	24		
			5.79	504618-2010	o	---	20		
			5.44	504618-1810	---	---	18		
			5.09	504618-1610	---	---	16		
			4.39	504618-1210	---	---	12		
			4.04	504618-1010	o	---	10		
3.34	504618-0610	---	---	6					
キャリアテープ幅 CARRIER TAPE WIDTH			C	B	(A)	EMBOSSED TAPE PACKAGE	HIGH VOL. TOOL	LOW VOL. TOOL	CIRCUIT
			ORDER NO.		SAMPLE PREPARATION o : TOOLED Δ : WORK IN PROCESS --- : TOOLING TO BE CONFIRMED				

REVISED EC NO: J2015-0816 DRWN: MYOSHIDA 2014/12/16 CHKD: RTAKEUCHI 2014/12/16 APPR: KMORIKAWA 2014/12/17	DESCRIPTION REV	GENERAL TOLERANCES (UNLESS SPECIFIED)		DIMENSION STYLE MM ONLY		SCALE 2:1	DESIGN UNITS METRIC	THIRD ANGLE PROJECTION		
		10 UNDER	± 0.2	DRAWN BY HON001	DATE 2014/02/24	TITLE 0.35 BB CONN. H=0.6 SSB6 REC. ASSY EMBSTP PKG				
		10 OVER 30 UNDER	± 0.25	CHECKED BY RTAKEUCHI	DATE 2014/02/24					
		30 OVER	± 0.3	APPROVED BY KMORIKAWA	DATE 2014/04/17					
ANGULAR ± 1 °		DRAFT WHERE APPLICABLE MUST REMAIN WITHIN DIMENSIONS		MATERIAL NO. SEE CHART		DOCUMENT NO. SD-504618-002		SHEET NO. 2 OF 3		



24	29.4	25.4	14.54	504618-7010	o	---	70		
			13.49	504618-6410	o	---	64		
			12.79	504618-6010	---	---	60		
			12.44	504618-5810	---	---	58		
			11.74	504618-5410	---	---	54		
			11.04	504618-5010	o	---	50		
			10.69	504618-4810	---	---	48		
			9.46	504618-4210	---	---	42		
			9.29	504618-4010	o	---	40		
			8.94	504618-3810	---	---	38		
8.24	504618-3410	o	---	34					
キャリアテープ幅 CARRIER TAPE WIDTH			C	B	(A)	EMBOSSED TAPE PACKAGE	HIGH VOL. TOOL	LOW VOL. TOOL	CIRCUIT
			ORDER NO.		SAMPLE PREPARATION o : TOOLED Δ : WORK IN PROCESS --- : TOOLING TO BE CONFIRMED				

REVISED EC NO: J2015-0816 DRWN: MYOSHIDA 2014/12/16 CHKD: RTAKEUCHI 2014/12/16 APPR: KMORIKAWA 2014/12/17	GENERAL TOLERANCES (UNLESS SPECIFIED)		DIMENSION STYLE MM ONLY		SCALE 2:1	DESIGN UNITS METRIC	THIRD ANGLE PROJECTION		
	10 UNDER ± 0.2 10 OVER 30 UNDER ± 0.25 30 OVER ± 0.3	ANGULAR ± 1° DRAFT WHERE APPLICABLE MUST REMAIN WITHIN DIMENSIONS	DRAWN BY HON001	DATE 2014/02/24	TITLE 0.35 BB CONN. H=0.6 SSB6 REC. ASSY EMBSTP PKG				
			CHECKED BY RTAKEUCHI	DATE 2014/02/24	molex				
			APPROVED BY KMORIKAWA	DATE 2014/04/17					
		SEE CHART			THIS DRAWING CONTAINS INFORMATION THAT IS PROPRIETARY TO MOLEX INCORPORATED AND SHOULD NOT BE USED WITHOUT WRITTEN PERMISSION				