



Chipsmall Limited consists of a professional team with an average of over 10 year of expertise in the distribution of electronic components. Based in Hongkong, we have already established firm and mutual-benefit business relationships with customers from,Europe,America and south Asia,supplying obsolete and hard-to-find components to meet their specific needs.

With the principle of “Quality Parts,Customers Priority,Honest Operation,and Considerate Service”,our business mainly focus on the distribution of electronic components. Line cards we deal with include Microchip,ALPS,ROHM,Xilinx,Pulse,ON,Everlight and Freescale. Main products comprise IC,Modules,Potentiometer,IC Socket,Relay,Connector.Our parts cover such applications as commercial,industrial, and automotives areas.

We are looking forward to setting up business relationship with you and hope to provide you with the best service and solution. Let us make a better world for our industry!



Contact us

Tel: +86-755-8981 8866 Fax: +86-755-8427 6832

Email & Skype: info@chipsmall.com Web: www.chipsmall.com

Address: A1208, Overseas Decoration Building, #122 Zhenhua RD., Futian, Shenzhen, China

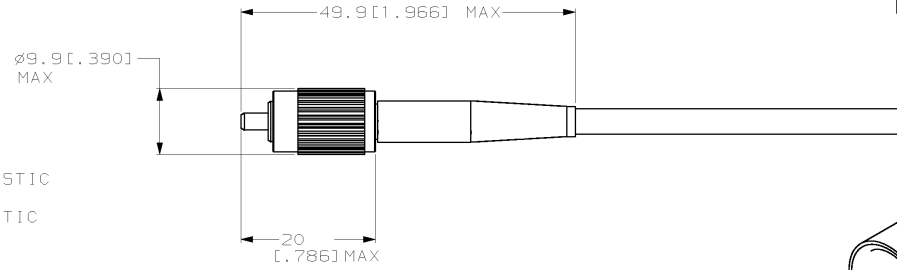


LOC	DIST	REVISIONS					
CE	16	P	LTR	DESCRIPTION	DATE	OWN	APVD
		F		REV PER 0A00-0589-03	07MAY04	KG	SB

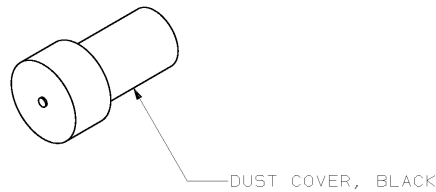
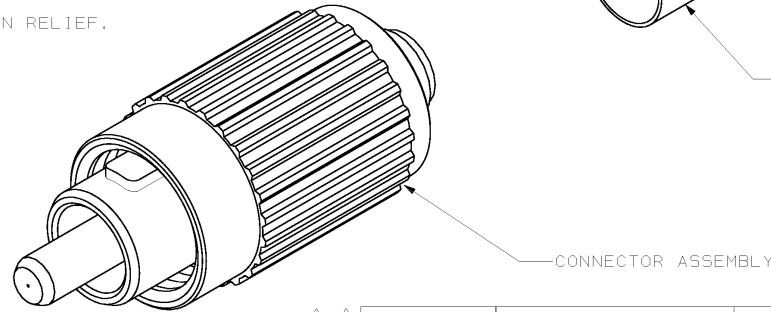
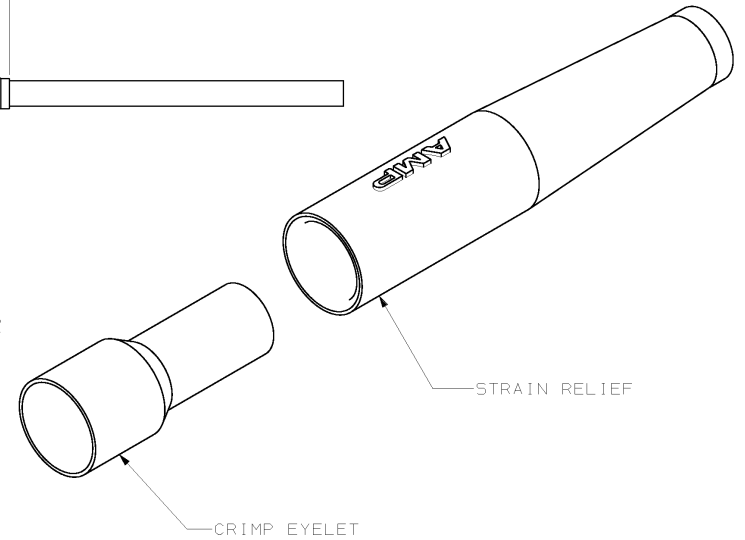
- 1 MATERIAL:
 COUPLING NUT: BRASS
 PLUG BODY: THERMOPLASTIC
 INTERNAL BODY: THERMOPLASTIC
 SPRING: STAINLESS STEEL
 FERRULE BASE: THERMOPLASTIC
 FERRULE: CERAMIC
 CRIMP EYELET: COPPER
 STRAIN RELIEF: THERMOPLASTIC ELASTOMER
 DUST COVER: THERMOPLASTIC

- 2 FINISH:
 COUPLING NUT: ELECTROLESS NICKEL
 CRIMP EYELET: BRIGHT TIN

- 3 BULK PACKAGE, 500 PIECES.
 4. TO BE USED WITH 3.0mm "LOOSE-JACKETED" CABLE.
 5 CONTAINS NO EYELET OR STRAIN RELIEF.



ASSEMBLED CONNECTOR



OBsolete	OBsolete	OBsolete	OBsolete	OBsolete
-	BLUE	BLUE	126 $\begin{smallmatrix} +1 \\ -0 \end{smallmatrix}$ μ m	504649-9
3 BLUE	BLUE	BLUE	126 $\begin{smallmatrix} +1 \\ -0 \end{smallmatrix}$ μ m	504649-8
3 BLUE	NATURAL	BLUE	125 $\begin{smallmatrix} +1 \\ -0 \end{smallmatrix}$ μ m	504649-7
3 YELLOW	BLUE	BLUE	126 $\begin{smallmatrix} +1 \\ -0 \end{smallmatrix}$ μ m	504649-6
3 YELLOW	NATURAL	BLUE	125 $\begin{smallmatrix} +1 \\ -0 \end{smallmatrix}$ μ m	504649-5
3 YELLOW	BLUE	BLUE	126 $\begin{smallmatrix} +1 \\ -0 \end{smallmatrix}$ μ m	504649-4
3 YELLOW	NATURAL	BLUE	125 $\begin{smallmatrix} +1 \\ -0 \end{smallmatrix}$ μ m	504649-3
3 BLUE	BLUE	BLUE	126 $\begin{smallmatrix} +1 \\ -0 \end{smallmatrix}$ μ m	504649-2
3 BLUE	NATURAL	BLUE	125 $\begin{smallmatrix} +1 \\ -0 \end{smallmatrix}$ μ m	504649-1
STRAIN RELIEF COLOR		FERRULE BASE COLOR	FERRULE HOLE SIZE	PART NUMBER

THIS DRAWING IS A CONTROLLED DOCUMENT FOR AMP INCORPORATED. IT IS SUBJECT TO CHANGE AND THE CONTROLLING ENGINEERING ORGANIZATION SHOULD BE CONTACTED FOR THE LATEST REVISIONS.		DATE: 7-21-95 BY: B. BRIGGS CHECKED: B. PARKER APPROVED: D. STAKEM	AMP Incorporated Harrisburg, PA 17105-3608
DIMENSIONS: mm (INCHES)	TOLERANCES (UNLESS OTHERWISE SPECIFIED): 0 PLC ±.0 1 PLC ±.05 2 PLC ±.1 3 PLC ±.15 4 PLC ±.2 ANGLES ±.5 FINISH -	PRODUCT SPEC: - APPLICATION SPEC: - WEIGHT: -	SIZE: A2 CASE CODE: 00779 DRAWING NO: C-504649 SCALE: NTS SHEET: 1 OF 1 REV: F
MATERIAL:		CUSTOMER DRAWING	

504649