



Chipsmall Limited consists of a professional team with an average of over 10 year of expertise in the distribution of electronic components. Based in Hongkong, we have already established firm and mutual-benefit business relationships with customers from,Europe,America and south Asia,supplying obsolete and hard-to-find components to meet their specific needs.

With the principle of “Quality Parts,Customers Priority,Honest Operation,and Considerate Service”,our business mainly focus on the distribution of electronic components. Line cards we deal with include Microchip,ALPS,ROHM,Xilinx,Pulse,ON,Everlight and Freescale. Main products comprise IC,Modules,Potentiometer,IC Socket,Relay,Connector.Our parts cover such applications as commercial,industrial, and automotives areas.

We are looking forward to setting up business relationship with you and hope to provide you with the best service and solution. Let us make a better world for our industry!



## Contact us

Tel: +86-755-8981 8866 Fax: +86-755-8427 6832

Email & Skype: info@chipsmall.com Web: www.chipsmall.com

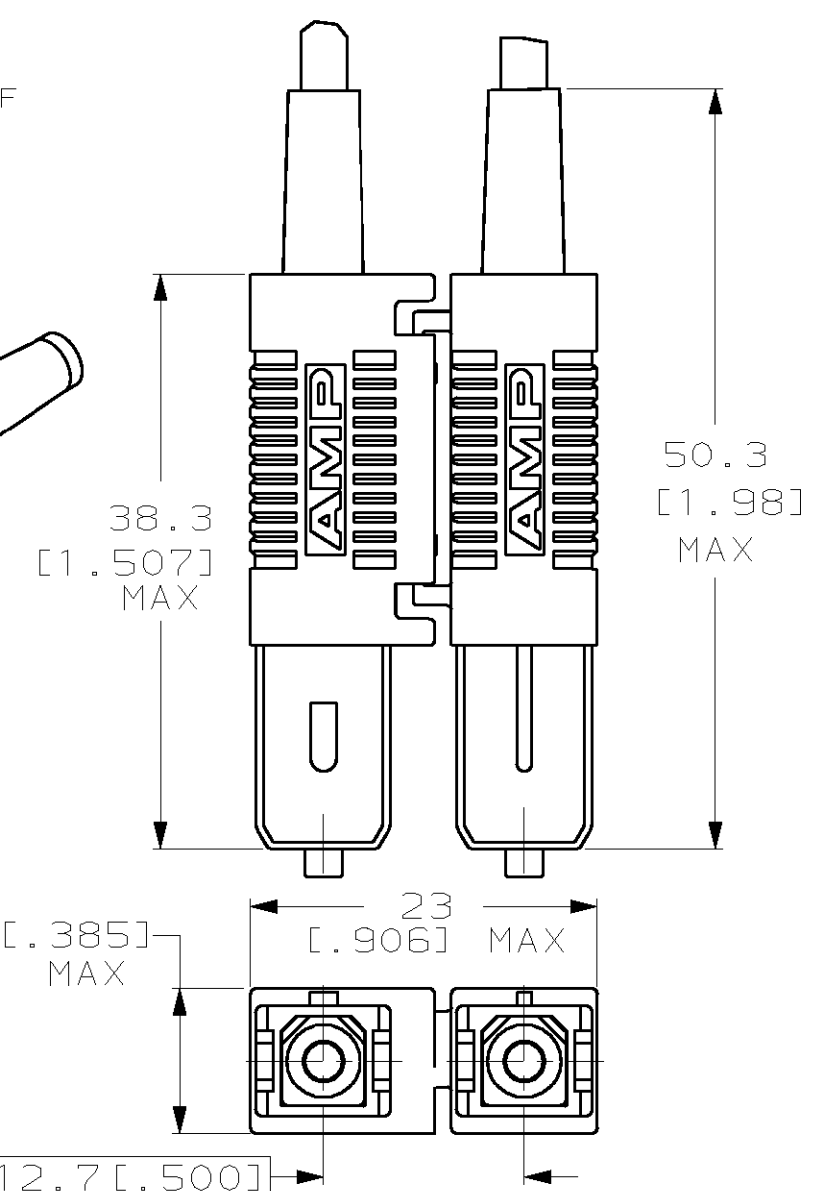
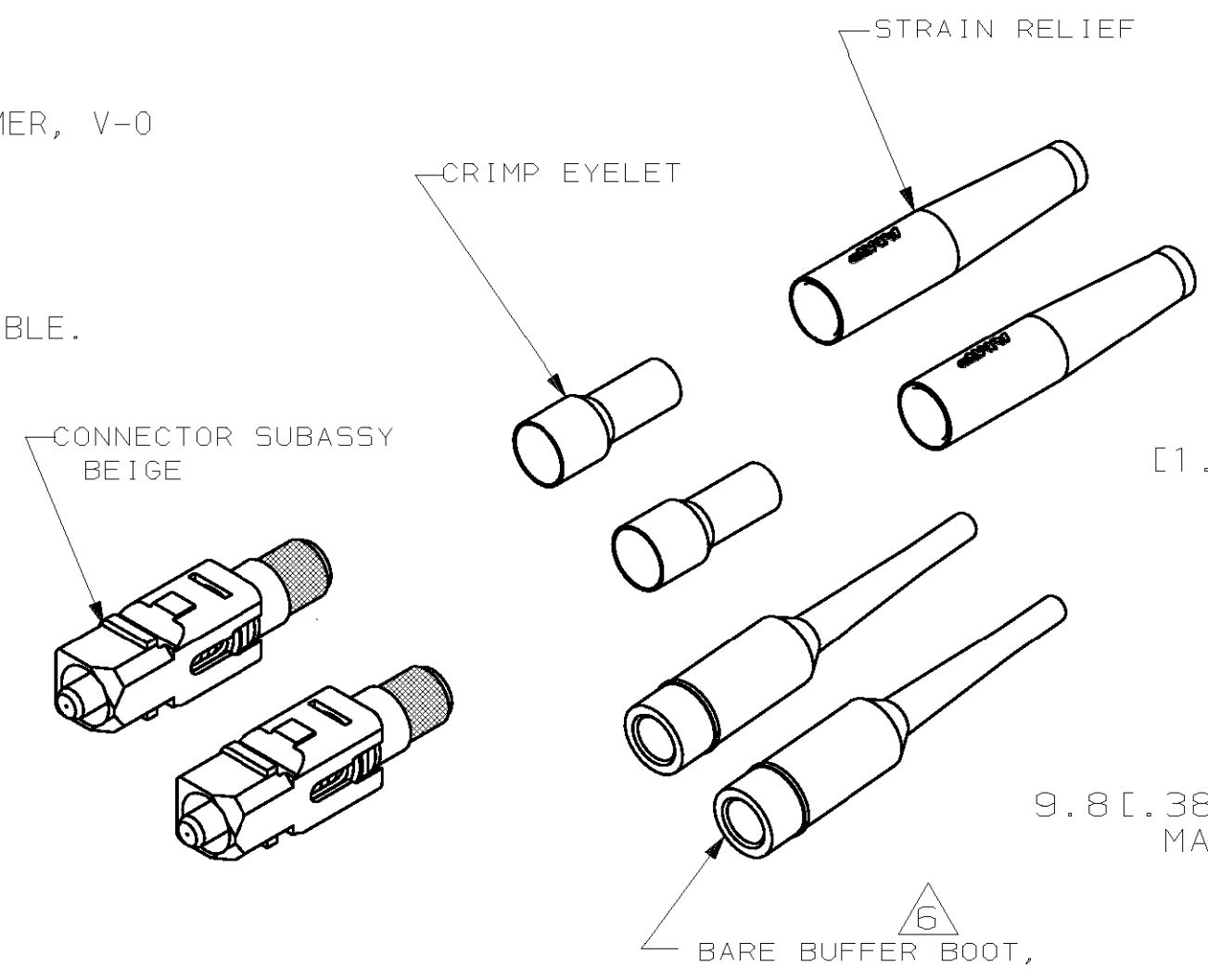
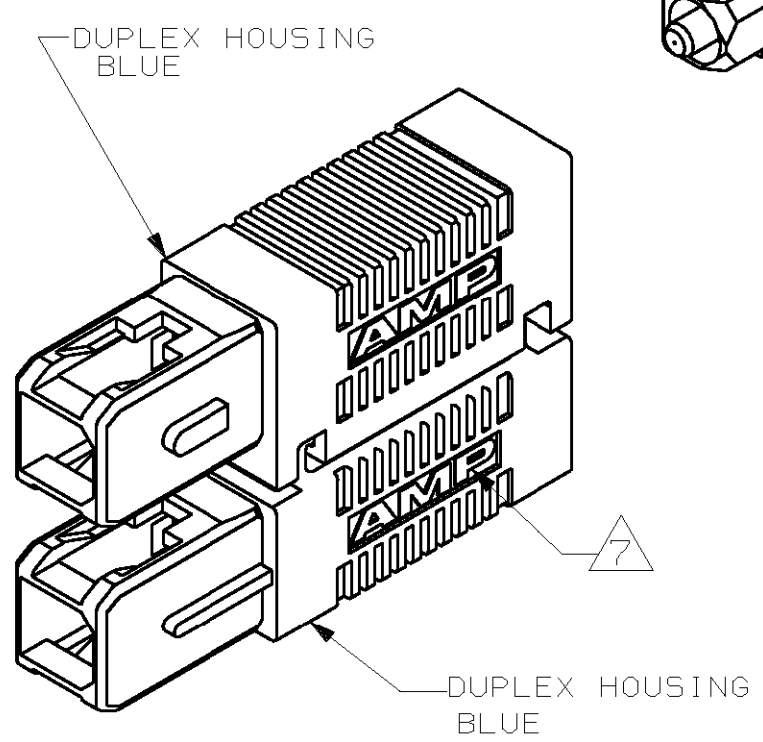
Address: A1208, Overseas Decoration Building, #122 Zhenhua RD., Futian, Shenzhen, China



THIS DRAWING IS UNPUBLISHED. RELEASED FOR PUBLICATION .19 .  
 © COPYRIGHT 19 BY AMP INCORPORATED. ALL RIGHTS RESERVED.

LOC	DIST	REVISIONS			
P	LTR	DESCRIPTION	DATE	DWN	APVD
CE	16	F	REVISED PER 0A00-0308-00	31MAY00	TA SB

- 1 MATERIAL:  
 BODY: THERMOPLASTIC  
 CAPILLARY: ZrO  
 CRIMP EYELET: COPPER  
 STRAIN RELIEF: THERMOPLASTIC ELASTOMER, V-0
- 2 FINISH:  
 CRIMP EYELET: TIN
- 3 BULK PACKAGE, 500 PIECES.
- 4. FOR USE WITH 3.0mm "LOOSE-JACKETED" CABLE.
- 5 CONTAINS NO STRAIN RELIEFS OR BARE BUFFER BOOTS.
- 6 FOR USE WITH 900µm BUFFERED FIBER.
- 7 NO AMP LOGO



7 3	7 5 3	6	5 3	3	7 3	7 5 3	6	5 3	3
-	-	BLUE	-	-	-	-	BLUE	BLUE	-
126µm FERRULE	126µm FERRULE	126µm FERRULE	126µm FERRULE	126µm FERRULE	126µm FERRULE	126µm FERRULE	126µm FERRULE	126µm FERRULE	126µm FERRULE
504655-6	504655-5	504655-4	504655-3	504655-2	504655-1				
BUFFER BOOT COLOR	STRAIN RELIEF COLOR	DESCRIPTION	PART NUMBER						

THIS DRAWING IS A CONTROLLED DOCUMENT FOR AMP INCORPORATED. IT IS SUBJECT TO CHANGE AND THE CONTROLLING ENGINEERING ORGANIZATION SHOULD BE CONTACTED FOR THE LATEST REVISION.

DIMENSIONS: mm [INCHES]

TOLERANCES UNLESS OTHERWISE SPECIFIED:

0 PLC	±-
1 PLC	±-
2 PLC	±0.13 [.005]
3 PLC	±-
4 PLC	±-
ANGLES	±1°
FINISH	

MATERIAL 1

2

DWN B BRIGGS 7-21-95

CHK T.FAWCETT 7-21-95

APVD D.STAKEM 7-21-95

PRODUCT SPEC

APPLICATION SPEC

WEIGHT -

CUSTOMER DRAWING

**AMP** AMP Incorporated  
Harrisburg, PA 17105-3608

AMP SC DUPLEX CONNECTOR KIT, SINGLEMODE, ONE PIECE, 3.0mm

SIZE A3 CAGE CODE 00779 DRAWING NO C-504655

SCALE 2:1 SHEET 1 OF 1 REV F