



Chipsmall Limited consists of a professional team with an average of over 10 year of expertise in the distribution of electronic components. Based in Hongkong, we have already established firm and mutual-benefit business relationships with customers from,Europe,America and south Asia,supplying obsolete and hard-to-find components to meet their specific needs.

With the principle of “Quality Parts,Customers Priority,Honest Operation,and Considerate Service”,our business mainly focus on the distribution of electronic components. Line cards we deal with include Microchip,ALPS,ROHM,Xilinx,Pulse,ON,Everlight and Freescale. Main products comprise IC,Modules,Potentiometer,IC Socket,Relay,Connector.Our parts cover such applications as commercial,industrial, and automotives areas.

We are looking forward to setting up business relationship with you and hope to provide you with the best service and solution. Let us make a better world for our industry!



Contact us

Tel: +86-755-8981 8866 Fax: +86-755-8427 6832

Email & Skype: info@chipsmall.com Web: www.chipsmall.com

Address: A1208, Overseas Decoration Building, #122 Zhenhua RD., Futian, Shenzhen, China

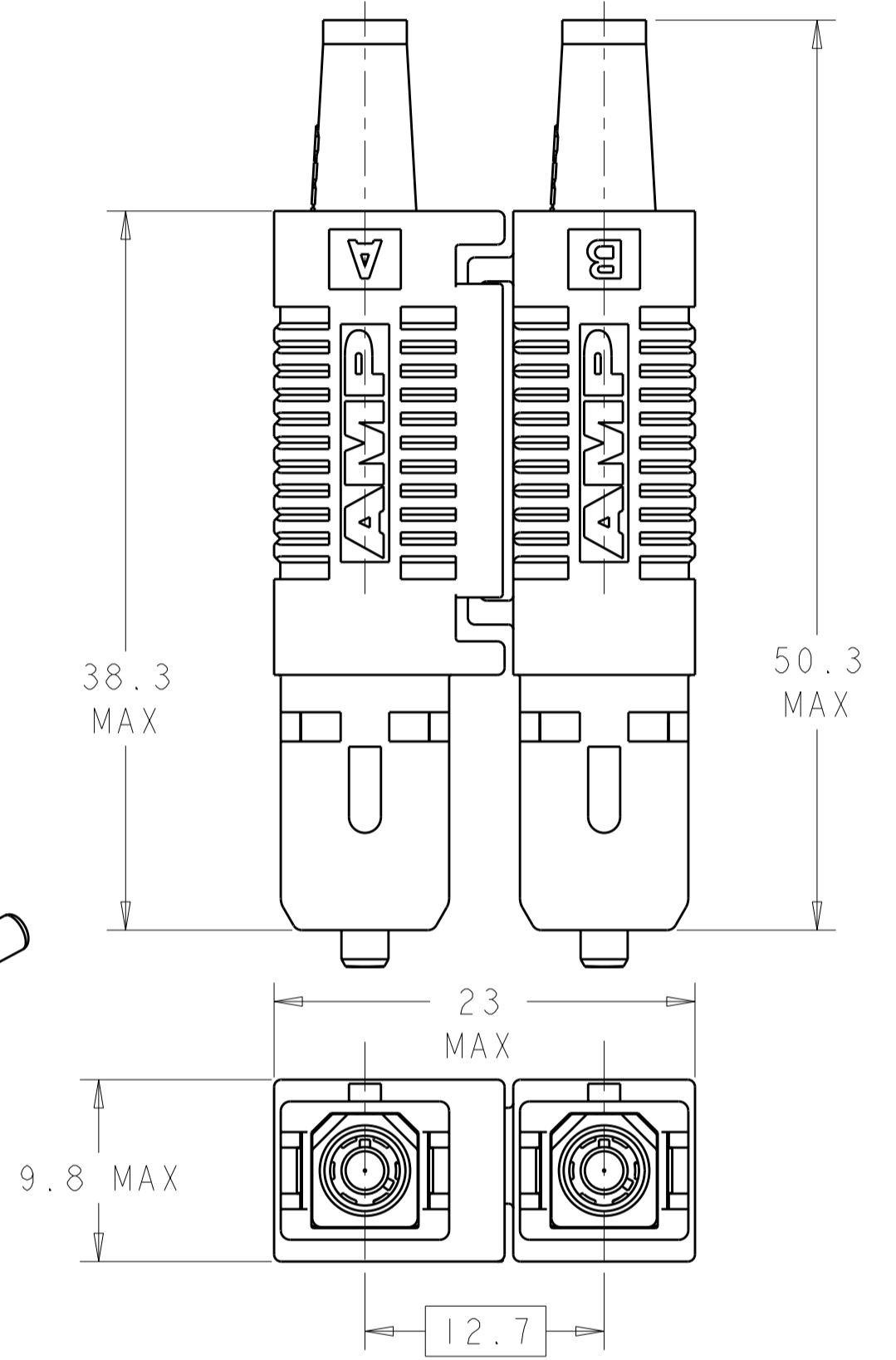
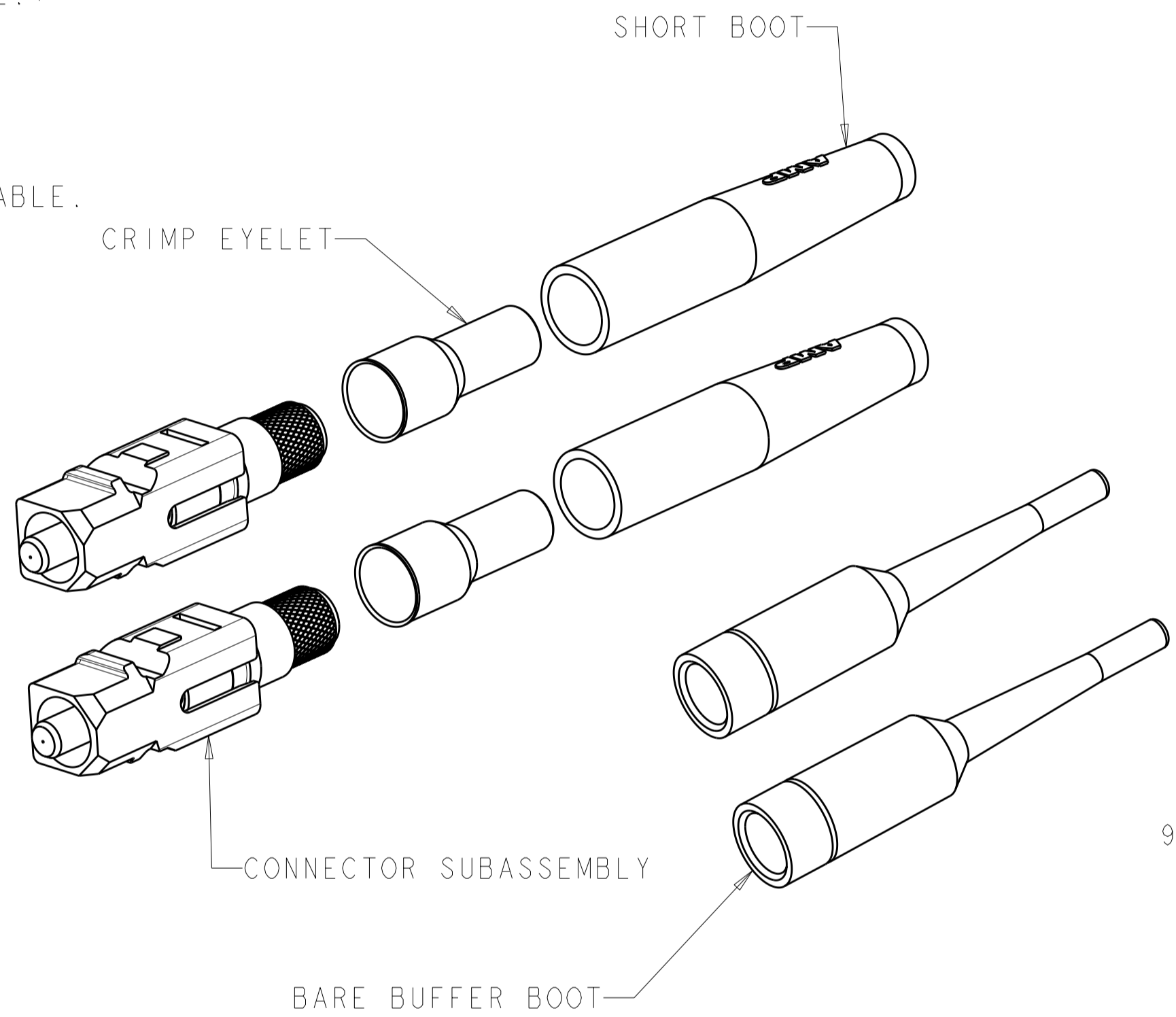
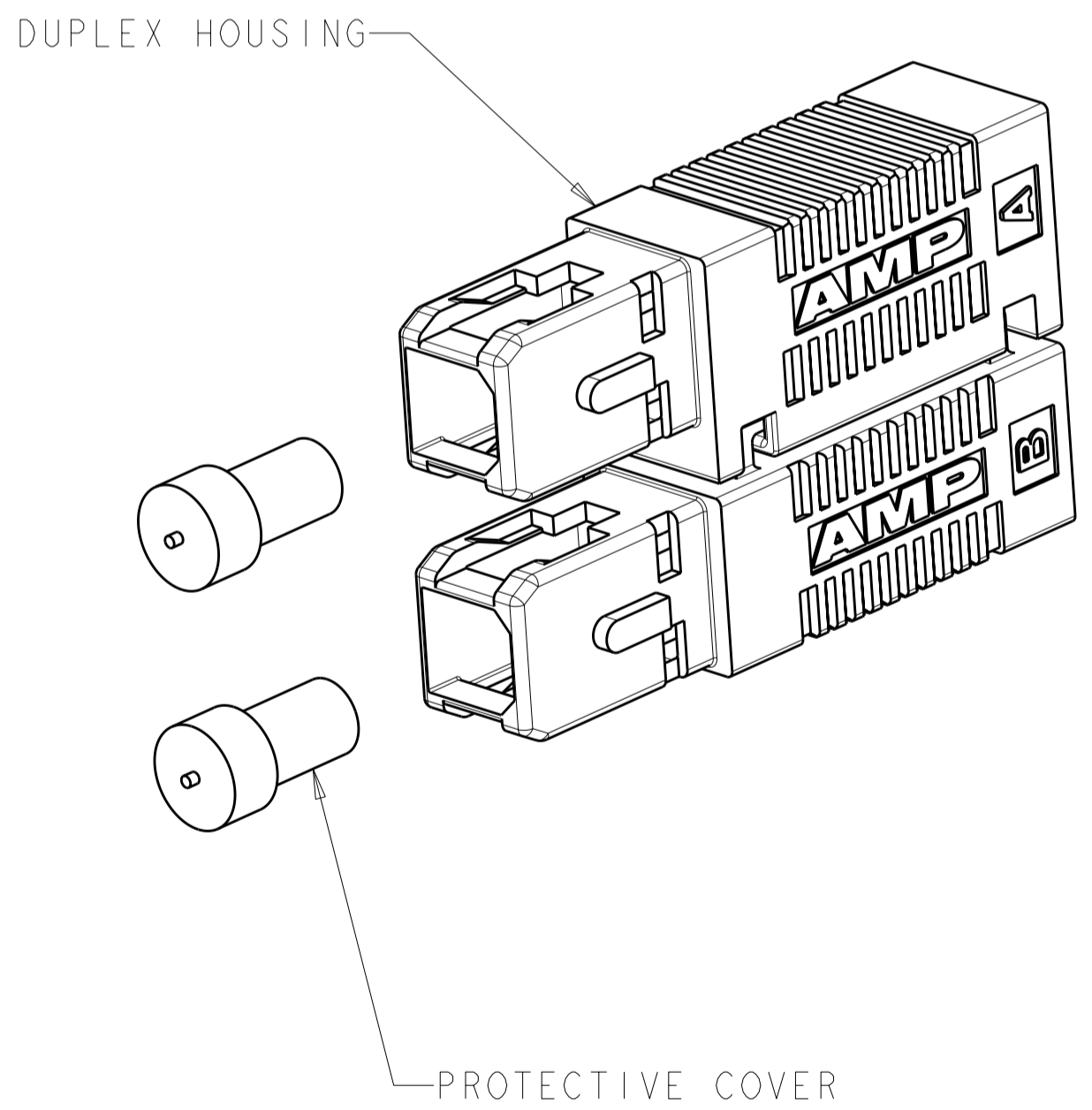


THIS DRAWING IS UNPUBLISHED. RELEASED FOR PUBLICATION 20
 © COPYRIGHT 20 ALL RIGHTS RESERVED.

LOC	DIST	REVISIONS				
P	LTR	DESCRIPTION	DATE	DWN	APVD	
HG	-					
	H	REVISE PER 0A00-0556-04	12NOV2004	BB	SM	
	J	REVISE PER 0A00-11-002798	9FEB2011	DD	CT	

1 MATERIAL:
 CONNECTOR HOUSING: PBT-GF17, COLOR: BEIGE.*
 PROTECTIVE COVER: LDPE, COLOR: BLACK, NON-FR.
 CONNECTOR SUBASSEMBLY:
 PLUG BODY: PES-GF20, COLOR: BLUE.*
 FERRULE ASSEMBLY: CERAMIC/PBT-GF17, COLOR: BEIGE.*
 EPOXY FILL TUBING: PTFE, COLOR: CLEAR, UL VW-1 RATED.
 SPRING: STAINLESS STEEL.
 RETAINER BODY: PES-GF20, COLOR: BEIGE.*
 CRIMP EYELET: TIN PLATED COPPER.
 BOOT: TPE, COLOR: BEIGE.*
 *UL94 V-0 RATED AT QUALIFYING THICKNESS.

- 2 BULK PACKAGE.
- 3. 3.0mm KIT FOR USE WITH "LOOSE-JACKETED" CABLE.
- 4 NO AMP LOGO.
- 5 CONTAINS NO CRIMP EYELETS.



OBSOLETE

5	4	2	NONE	504657-7
4	2		3.0mm	504657-6
4	2		3.0mm AND 900um	504657-5
4			3.0mm	504657-4
2			3.0mm	504657-3
2			3.0mm	504657-2
			3.0mm	504657-1
			BOOT	PART NUMBER

DIMENSIONS:		TOLERANCES UNLESS OTHERWISE SPECIFIED:		APPROVED		TE Connectivity	
mm		0 PLC	±	DWN	B. BRIGGS	12NOV2004	SC, MULTIMODE CONNECTOR KIT, 900um AND 3.0mm
		1 PLC	±	CHK	S. MILLER	12NOV2004	
		2 PLC	±	APVD	S. BUCHTER	12NOV2004	
		3 PLC	±	PRODUCT SPEC			
		4 PLC	±	APPLICATION SPEC			
		ANGLES	±	WEIGHT			
		FINISH		CUSTOMER DRAWING			