



Chipsmall Limited consists of a professional team with an average of over 10 year of expertise in the distribution of electronic components. Based in Hongkong, we have already established firm and mutual-benefit business relationships with customers from,Europe,America and south Asia,supplying obsolete and hard-to-find components to meet their specific needs.

With the principle of “Quality Parts,Customers Priority,Honest Operation,and Considerate Service”,our business mainly focus on the distribution of electronic components. Line cards we deal with include Microchip,ALPS,ROHM,Xilinx,Pulse,ON,Everlight and Freescale. Main products comprise IC,Modules,Potentiometer,IC Socket,Relay,Connector.Our parts cover such applications as commercial,industrial, and automotives areas.

We are looking forward to setting up business relationship with you and hope to provide you with the best service and solution. Let us make a better world for our industry!



Contact us

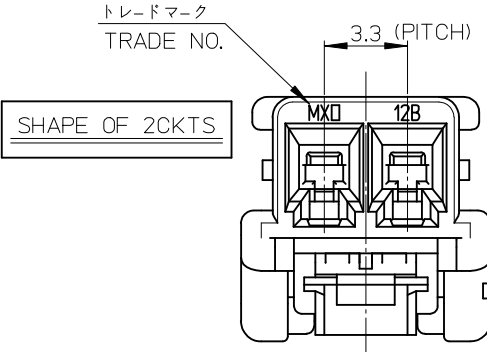
Tel: +86-755-8981 8866 Fax: +86-755-8427 6832

Email & Skype: info@chipsmall.com Web: www.chipsmall.com

Address: A1208, Overseas Decoration Building, #122 Zhenhua RD., Futian, Shenzhen, China



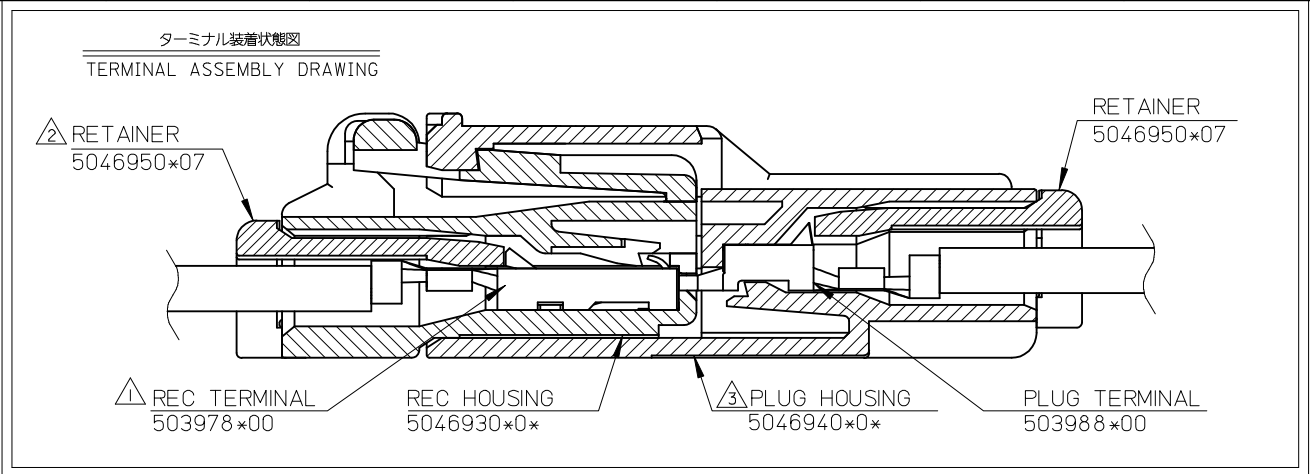
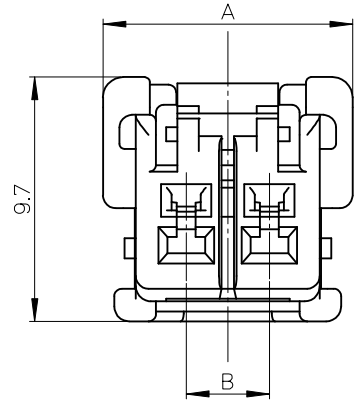
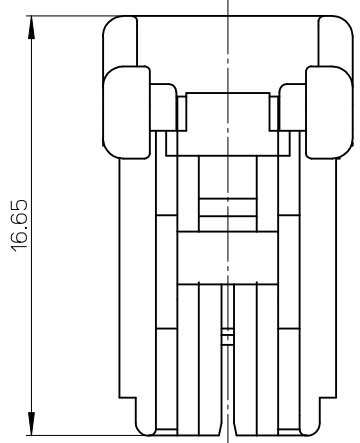
10 9 8 7 6 5 4 3 2 1



TRADE MARK
TRADE NO.

SHAPE OF 2CKTS

回路番号1マーク
CKT. NO.1 MARK



ターミナル装着状態図
TERMINAL ASSEMBLY DRAWING

注記
NOTES

- ① 適合ターミナル：50397 シリーズ
APPLICABLE TERMINAL：50397 SERIES
- ② 適合リテーナー：504695 シリーズ
APPLICABLE RETAINER：504695 SERIES
- ③ 嵌合相手：504694 シリーズ
MATE WITH：504694 SERIES
- ④ 材質：PBT (UL94V-0)
MATERIAL：PBT(UL94V-0)

5. MATERIAL NO. は以下の内容を示す。
MATERIAL NO. :
504693 **0*
- | | |
|-----------|----------------|
| 極数
CKT | 色
COLOR |
| 0 | 自然色
NATURAL |
| 1 | 黒
BLACK |
| 2 | 赤
RED |
| 3 | 黄
YELLOW |
| 4 | 青
BLUE |
| 5 | 桃
PINK |
| 6 | 緑
GREEN |
| 8 | 橙
ORANGE |
| 9 | 紫
VIOLET |

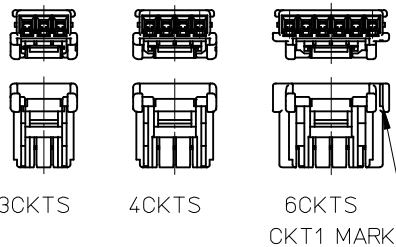
6. コネクタの取扱いについては、AS-504693-001/002を参照。
PLEASE REFER TO AS-504693-001/002.

16.5	23.1	6	504693060*	504693-0*0*
9.9	16.5	4	504693040*	
6.6	13.2	3	504693030*	
3.3	9.9	2	504693020*	
(B)	A	CKT.	MATERIAL NO.	MODEL NO.

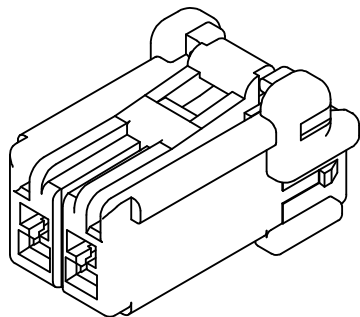
REVISED EC NO.: J2015-0993 DRW:NITTO 2015/01/29 CHK'D:KASAKAWA 2015/02/10 APPR:NUKITA 2015/02/12	GENERAL TOLERANCES (UNLESS SPECIFIED)			DIMENSION STYLE MM ONLY		SCALE 5:1	DESIGN UNITS METRIC	THIRD ANGLE PROJECTION
	0.25 UNDER	UNDER	±0.03	DRAWN BY MIKEDA01	DATE 2013/09/06	TITLE 3.3 W/W CONN. REC HOUSING		
	0.25 OVER	0.5 UNDER	±0.05	CHECKED BY KASAKAWA	DATE 2013/11/28			
	0.5 OVER	1.0 UNDER	±0.1	APPROVED BY NUKITA	DATE 2013/12/03			
	1.0 OVER	10 UNDER	±0.2	MATERIAL NO.		DOCUMENT NO.	SHEET NO.	
10 OVER	30 UNDER	±0.25	SEE CHART		SD-504693-001	1 OF 2		
30 OVER		±0.3	THIS DRAWING CONTAINS INFORMATION THAT IS PROPRIETARY TO MOLEX INCORPORATED AND SHOULD NOT BE USED WITHOUT WRITTEN PERMISSION					
ANGULAR ±1 °			DRAFT WHERE APPLICABLE MUST REMAIN WITHIN DIMENSIONS					

9 8 7 6 5 4 3 2 1

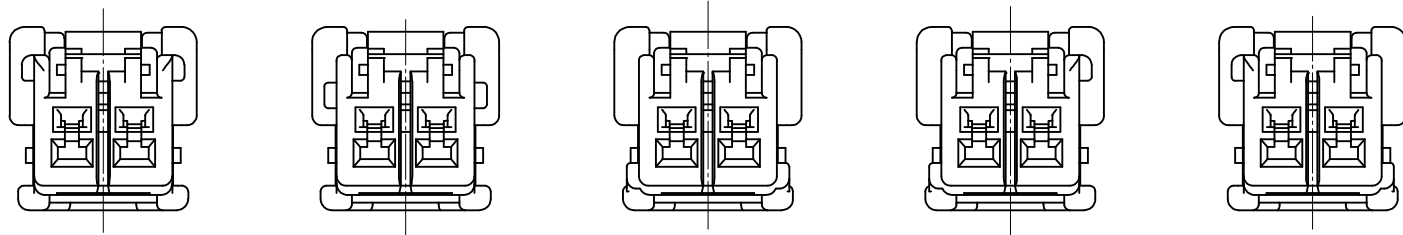
10 9 8 7 6 5 4 3 2 1



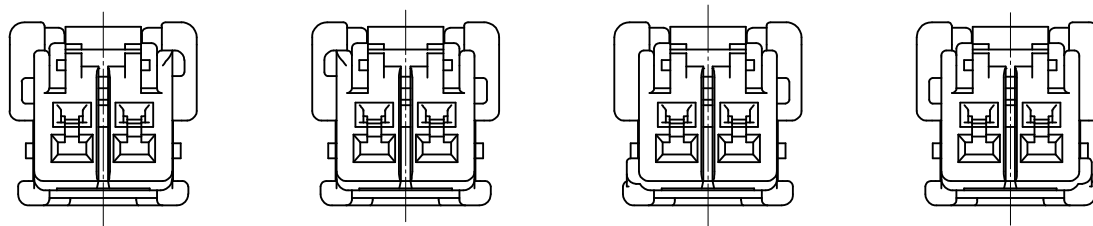
VIEW OF 3,4,6CKTS
(SCALE 1:1)



ISOMETRIC VIEW
(SCALE 4:1)



KEY TYPE:1 COLOR:NATURAL MATERIAL NO.:5046930200	KEY TYPE:2 COLOR:BLACK MATERIAL NO.:5046930201	KEY TYPE:3 COLOR:RED MATERIAL NO.5046930202	KEY TYPE:4 COLOR:YELLOW MATERIAL NO.:5046930203	KEY TYPE:5 COLOR:BLUE MATERIAL NO.:5046930204
---	---	--	--	--



KEY TYPE:6 COLOR:PINK MATERIAL NO.:5046930205	KEY TYPE:7 COLOR:GREEN MATERIAL NO.:5046930206	KEY TYPE:8 COLOR:ORANGE MATERIAL NO.:5046930208	KEY TYPE:9 COLOR:VIOLET MATERIAL NO.:5046930209
--	---	--	--

MATING
KEY TYPE & COLOR

REFERENCE 2 CKTS

504694060*	5046950607	6						5046930604	5046930603	5046930602	5046930601	5046930600
504694040*	5046950407	4						5046930404	5046930403	5046930402	5046930401	5046930400
504694030*	5046950307	3									5046930301	5046930300
504694020*	5046950207	2	5046930209	5046930208	5046930206	5046930205	5046930204	5046930203	5046930202	5046930201	5046930200	
MATE WITH	COMFORTABLE-RETAINER	CKT.	VIOLET	ORANGE	GREEN	PINK	BLUE	YELLOW	RED	BLACK	NATURAL	

MATERIAL NO.

REVISED EC NO.: J2015-0993 DRWN: NITO CHKD: KASAKAWA APPR: NUKITA	GENERAL TOLERANCES (UNLESS SPECIFIED)		DIMENSION STYLE MM ONLY		SCALE 5:1	DESIGN UNITS METRIC	THIRD ANGLE PROJECTION
	0.25 UNDER	UNDER	±0.03	DRAWN BY MIKEDA01	DATE 2013/09/06	TITLE 3.3 W/W CONN. REC HOUSING	
	0.25 OVER	0.5 UNDER	±0.05	CHECKED BY KASAKAWA	DATE 2013/11/28		
	0.5 OVER	1.0 UNDER	±0.1	APPROVED BY NUKITA	DATE 2013/12/03		
	1.0 OVER	10 UNDER	±0.2	MATERIAL NO.	DOCUMENT NO. SD-504693-001		SHEET NO. 2 OF 2
10 OVER	30 UNDER	±0.25	DRAFT WHERE APPLICABLE MUST REMAIN WITHIN DIMENSIONS				THIS DRAWING CONTAINS INFORMATION THAT IS PROPRIETARY TO MOLEX INCORPORATED AND SHOULD NOT BE USED WITHOUT WRITTEN PERMISSION
30 OVER		±0.3	SIZE A3				

9 8 7 6 5 4 3 2 1