



Chipsmall Limited consists of a professional team with an average of over 10 year of expertise in the distribution of electronic components. Based in Hongkong, we have already established firm and mutual-benefit business relationships with customers from,Europe,America and south Asia,supplying obsolete and hard-to-find components to meet their specific needs.

With the principle of "Quality Parts,Customers Priority,Honest Operation,and Considerate Service",our business mainly focus on the distribution of electronic components. Line cards we deal with include Microchip,ALPS,ROHM,Xilinx,Pulse,ON,Everlight and Freescale. Main products comprise IC,Modules,Potentiometer,IC Socket,Relay,Connector.Our parts cover such applications as commercial,industrial, and automotives areas.

We are looking forward to setting up business relationship with you and hope to provide you with the best service and solution. Let us make a better world for our industry!



Contact us

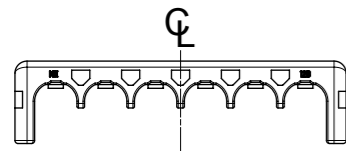
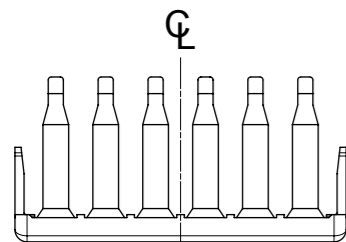
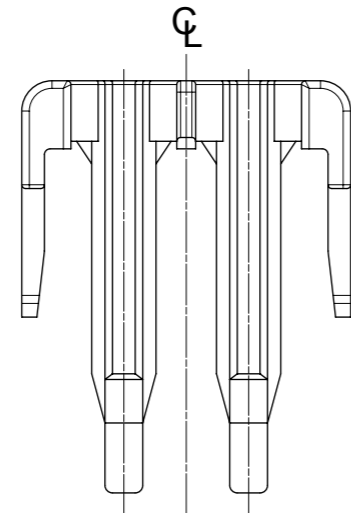
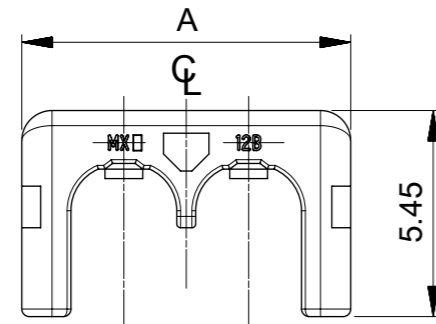
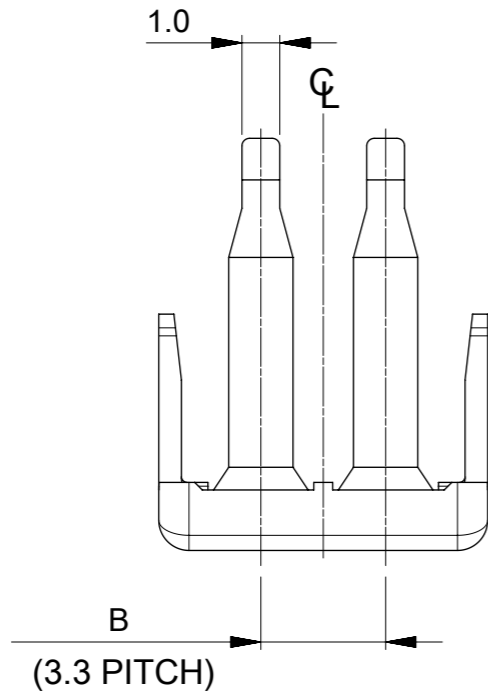
Tel: +86-755-8981 8866 Fax: +86-755-8427 6832

Email & Skype: info@chipsmall.com Web: www.chipsmall.com

Address: A1208, Overseas Decoration Building, #122 Zhenhua RD., Futian, Shenzhen, China

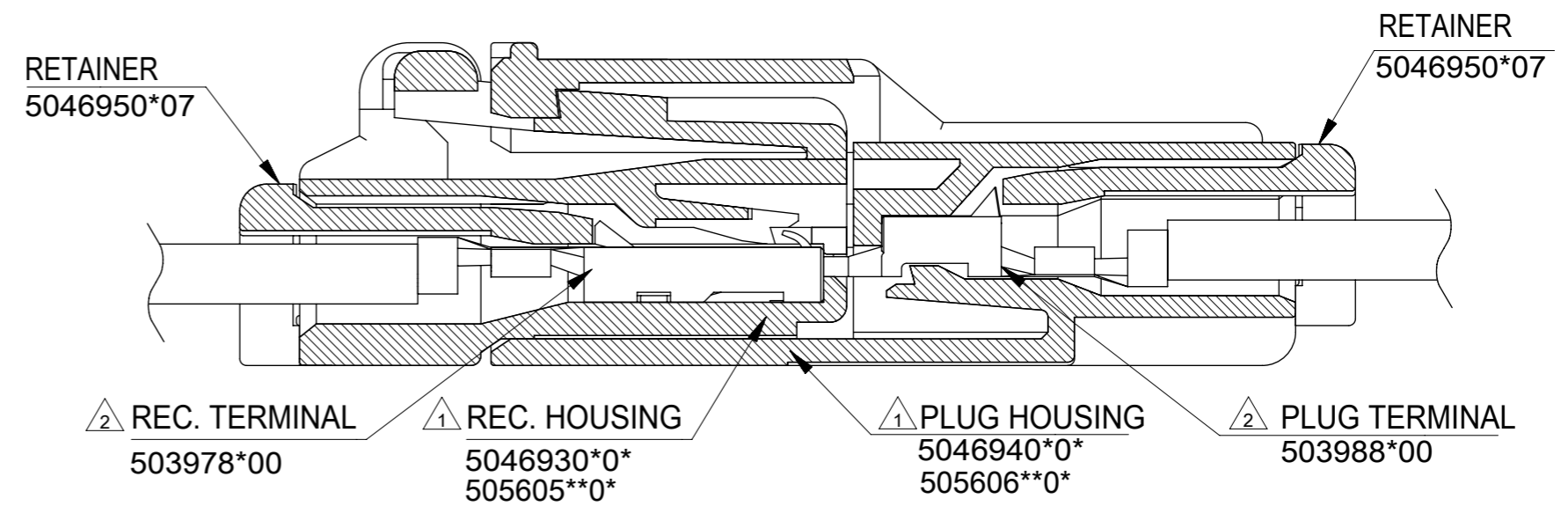


SHAPE OF 2CKTS



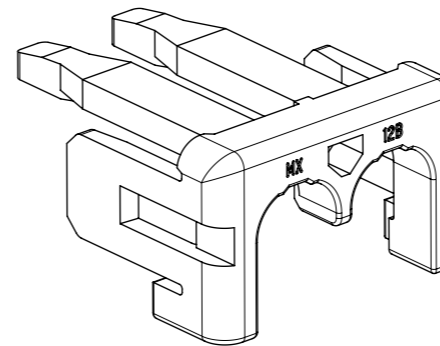
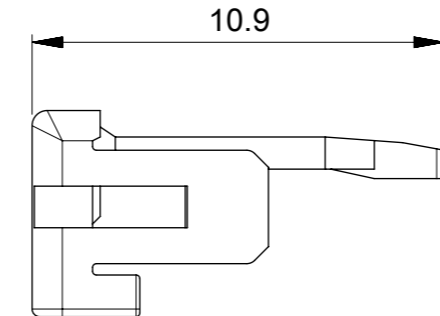
VIEW OF CKT.6

ターミナル嵌合状態図
TERMINAL MATING DRAWING



注記
NOTES

- △1 適合ハウジング:504693,504694,505605,505606 シリーズ。
APPLICABLE HSG: 50393,504694,505605,505606 SERIES.
- △2 適合ターミナル:50397/50398 シリーズ。
APPLICABLE TERMINAL: 50397/50398 SERIES.
- 3. 材質: POLYESTER(PBT),UL94V-0
MATERIAL:POLYESTER(PBT),UL94V-0
色: 茶
COLOR: BROWN
- 4. コネクタの取扱いについては、AS-504693-001/002を参照。
PLEASE REFER TO AS-504693-001/002.



ISOMETRIC VIEW
(SCALE 5:1)

16.5	21.9	6	5046950607	5046950*07
13.2	18.6	5	5046950507	
9.9	15.3	4	5046950407	
6.6	12.0	3	5046950307	
3.3	8.7	2	5046950207	
(B)	A	極数 CKT.	BAG PACKAGE オーダー番号 ORDER NO.	MODEL NO.

THIS DRAWING CONTAINS INFORMATION THAT IS PROPRIETARY TO MOLEX ELECTRONIC TECHNOLOGIES, LLC AND SHOULD NOT BE USED WITHOUT WRITTEN PERMISSION

REVISED EC NO: 120448 DRWN: QHE31 CHK'D: SAKIYAMA APPR: TKANEKO	2017/08/08	2017/09/04	2017/09/04	GENERAL TOLERANCES (UNLESS SPECIFIED) ANGULAR TOL ± 3.0 ° 4 PLACES ± 0.2 3 PLACES ± 0.2 2 PLACES ± 0.2 1 PLACE ± 0.2 0 PLACES ± 0.2 DRAFT WHERE APPLICABLE MUST REMAIN WITHIN DIMENSIONS	DIMENSION UNITS mm	SCALE 5:1	<p>CP 3.3 W/W RETAINER 2-6CKT</p> <p>PRODUCT CUSTOMER DRAWING</p>				
	DRWN BY QHE31	DATE 2016/11/04	CHK'D BY SAKIYAMA		DATE 2017/02/13	APPR BY TKANEKO		DATE 2017/02/13	SERIES 504695	MATERIAL NUMBER SEE CHART	CUSTOMER GENERAL
	DRAWING SIZE A3		THIRD ANGLE PROJECTION		DOCUMENT NUMBER 5046950000	DOC TYPE PSD		DOC PART 000	SHEET NUMBER 1 OF 1		
	DATE: 2015/12/14										