



Chipsmall Limited consists of a professional team with an average of over 10 year of expertise in the distribution of electronic components. Based in Hongkong, we have already established firm and mutual-benefit business relationships with customers from,Europe,America and south Asia,supplying obsolete and hard-to-find components to meet their specific needs.

With the principle of “Quality Parts,Customers Priority,Honest Operation,and Considerate Service”,our business mainly focus on the distribution of electronic components. Line cards we deal with include Microchip,ALPS,ROHM,Xilinx,Pulse,ON,Everlight and Freescale. Main products comprise IC,Modules,Potentiometer,IC Socket,Relay,Connector.Our parts cover such applications as commercial,industrial, and automotives areas.

We are looking forward to setting up business relationship with you and hope to provide you with the best service and solution. Let us make a better world for our industry!



## Contact us

Tel: +86-755-8981 8866 Fax: +86-755-8427 6832

Email & Skype: info@chipsmall.com Web: www.chipsmall.com

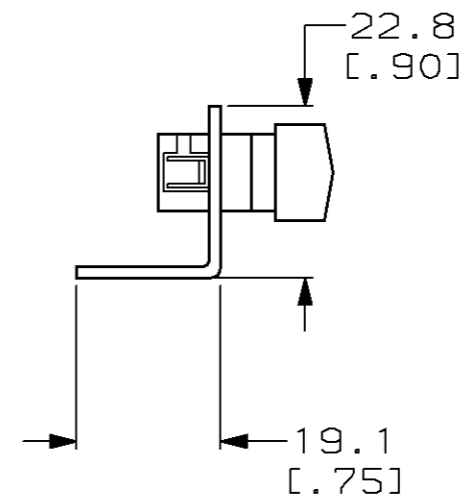
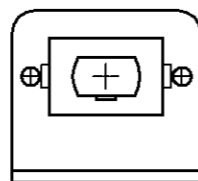
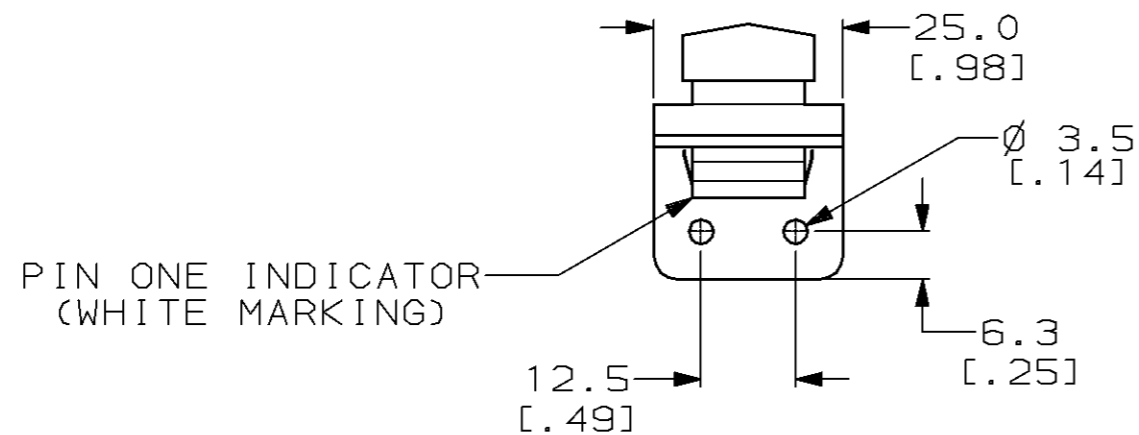
Address: A1208, Overseas Decoration Building, #122 Zhenhua RD., Futian, Shenzhen, China



THIS DRAWING IS UNPUBLISHED. RELEASED FOR PUBLICATION ,19 .

© COPYRIGHT 19 BY AMP INCORPORATED. ALL RIGHTS RESERVED.

LOC	DIST	REVISIONS			
P	LTR	DESCRIPTION	DATE	DWN	APVD
CE	16	0	REL PER NPR 96-075	4-3-96	JS FA
-	-	-	-	-	-



504954-1  
PART NO.

THIS DRAWING IS A CONTROLLED DOCUMENT FOR AMP INCORPORATED. IT IS SUBJECT TO CHANGE AND THE CONTROLLING ENGINEERING ORGANIZATION SHOULD BE CONTACTED FOR THE LATEST REVISION.		DWN J. SABO 4-3-96	AMP Incorporated Harrisburg, PA 17105-3608
DIMENSIONS: mm		CHK D. HARPER 4-3-96	
		APVD F. ABENDSCHEIN 4-3-96	
TOLERANCES UNLESS OTHERWISE SPECIFIED:		PRODUCT SPEC	
0 PLC ±- 1 PLC ±- 2 PLC ±0.5 [.02] 3 PLC ±0.25 [.010] 4 PLC ±- ANGLES ±-		APPLICATION SPEC	NAME MOUNTING BRACKET, 1-LIGHTRAY RECEPTACLE
MATERIAL	FINISH	WEIGHT	SIZE A3
-	-	-	CAGE CODE 00779
CUSTOMER DRAWING		DRAWING NO C-504954	
		SCALE 1:1	SHEET 1 OF 1
		REV 0	