



Chipsmall Limited consists of a professional team with an average of over 10 year of expertise in the distribution of electronic components. Based in Hongkong, we have already established firm and mutual-benefit business relationships with customers from,Europe,America and south Asia,supplying obsolete and hard-to-find components to meet their specific needs.

With the principle of "Quality Parts,Customers Priority,Honest Operation,and Considerate Service",our business mainly focus on the distribution of electronic components. Line cards we deal with include Microchip,ALPS,ROHM,Xilinx,Pulse,ON,Everlight and Freescale. Main products comprise IC,Modules,Potentiometer,IC Socket,Relay,Connector.Our parts cover such applications as commercial,industrial, and automotives areas.

We are looking forward to setting up business relationship with you and hope to provide you with the best service and solution. Let us make a better world for our industry!



## Contact us

Tel: +86-755-8981 8866 Fax: +86-755-8427 6832

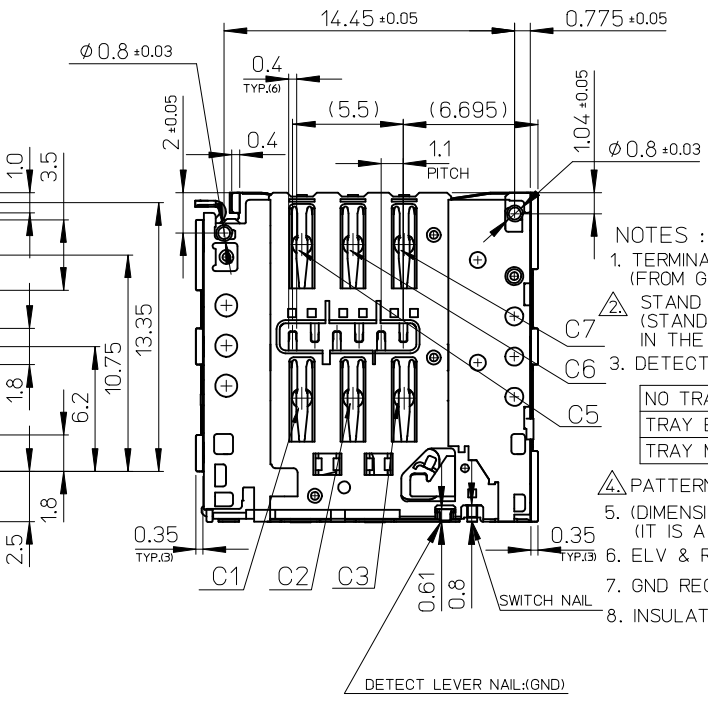
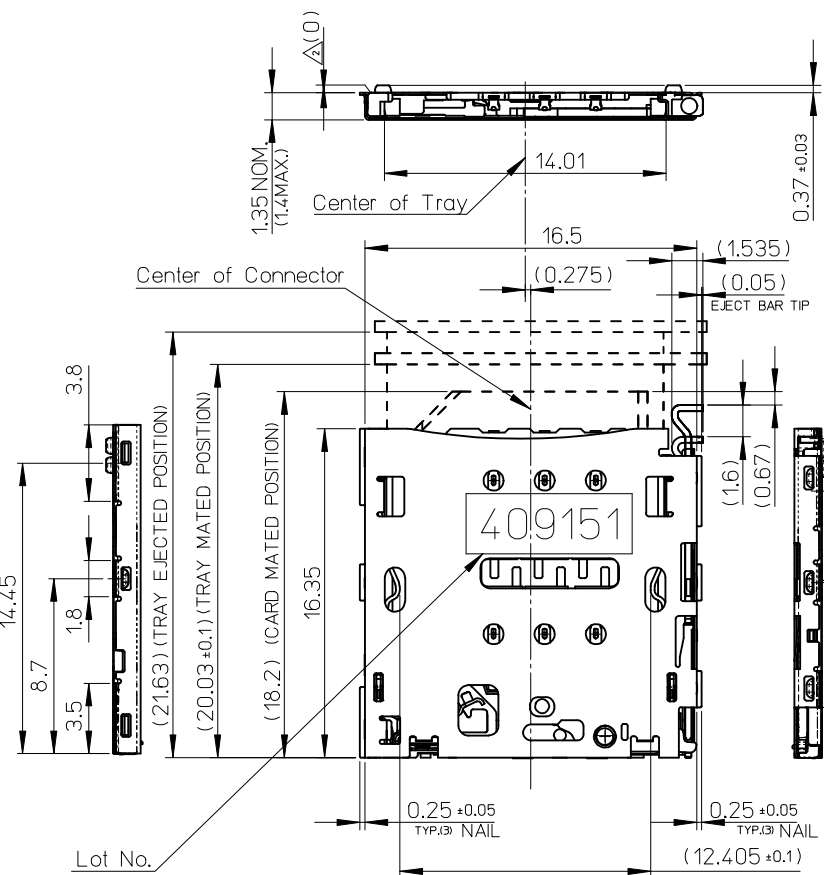
Email & Skype: info@chipsmall.com Web: www.chipsmall.com

Address: A1208, Overseas Decoration Building, #122 Zhenhua RD., Futian, Shenzhen, China



CONFIDENTIAL

No.	NAME	MATERIAL
①	HOUSING	LIQUID CRYSTAL POLYMER UL94V-0, BLACK
②	TERMINAL	COPPER ALLOY
③	SHELL	STAINLESS STEEL
④	EJECT LEVER	STAINLESS STEEL
⑤	EJECT BAR	STAINLESS STEEL
⑥	DETECT LEVER	COPPER ALLOY
⑦	DETECT SWITCH	COPPER ALLOY
⑧	HOOK	STAINLESS STEEL
⑨	METAL PLATE	STAINLESS STEEL



- NOTES :
1. TERMINAL AND NAIL COPLANARITY TO BE 0.08 MAXIMUM. (FROM GAUGE PLANE)
  2. STAND OFF DIMENSION (STAND OFF DIMENSION IS INCLUDED IN THE CONNECTOR TOTAL HEIGHT)
  3. DETECT SWITCH FUNCTION
- |                       |       |
|-----------------------|-------|
| NO TRAY               | OPEN  |
| TRAY EJECTED POSITION | OPEN  |
| TRAY MATED POSITION   | CLOSE |
4. PATTERN KEEP OUT AREA DIMENSION
  5. (DIMENSION) : REFERENCE VALUE (IT IS A NOT A MANAGEMENT DIMENSION)
  6. ELV & RoHS COMPLIANT.
  7. GND RECOMMENDED PATTERN.
  8. INSULATION PLATING IS CONTAINED.

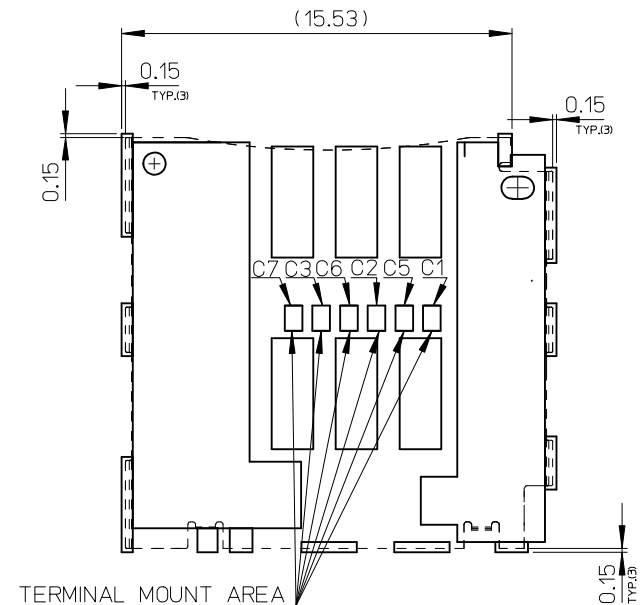
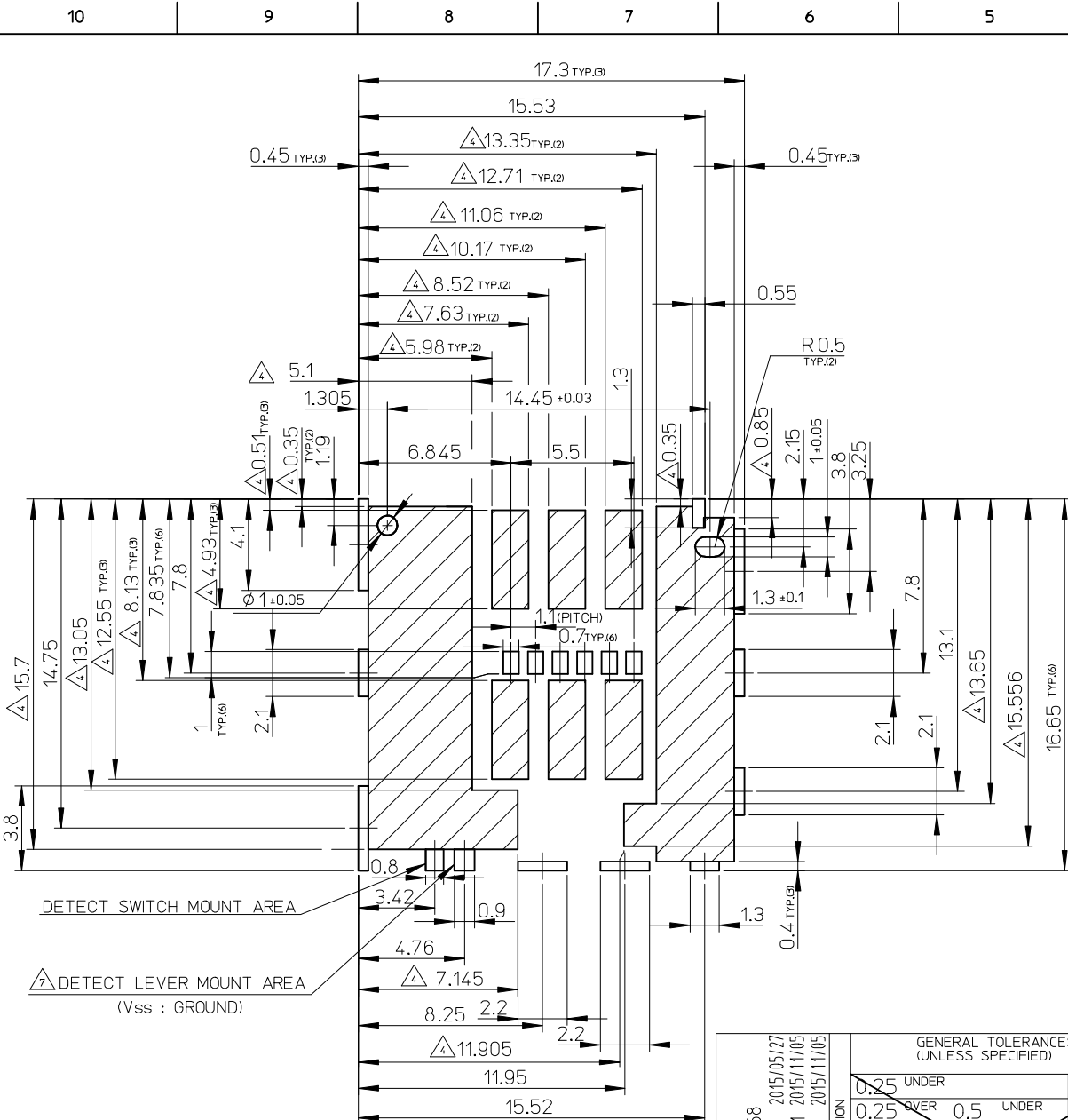
THE YEAR OF GRACE  
 2014年 2015年 2016年  
 MONTH DAY LINE No.  
 09 : 9月 15 : 15日 1-9 A-Z

PIN ASSIGNMENT

C1:	Vcc
C2:	RST
C3:	CLK
C5:	GND
C6:	Vpp
C7:	I/O

505020-0692	6
EMBOSSED PACKAGE	CIRCUITS
ORDER NO.	
CONNECTOR SERIES No. 505020-****	

REVISED EC NO: J2016-0468 DRWN:YNAITO 2015/05/27 CHKD:TKUSUHARA01 2015/11/05 APPR:NUKITA 2015/11/05	GENERAL TOLERANCES (UNLESS SPECIFIED)		DIMENSION STYLE		SCALE	DESIGN UNITS	THIRD ANGLE PROJECTION
	0.25 UNDER ± 0.03		MM ONLY		4:1	METRIC	
	0.25 OVER 0.5 UNDER ± 0.05		DRAWN BY DATE		TITLE		
	0.5 OVER 1.0 UNDER ± 0.1		MHAYASHI 2014/11/26		MICRO SIM CONN. BAR-PUSH TYPE DUAL HOOK ASSY ANTI-BUCKLING		
D REV	1.0 OVER 10 UNDER ± 0.2		CHECKED BY DATE		DOCUMENT NO.		SHEET NO. 1 OF 4
	10 OVER 30 UNDER ± 0.25		TKUSUHARA 2014/11/26		SD-505020-003		
	30 OVER ± 0.3		APPROVED BY DATE		SEE CHART		
	ANGULAR ± 1 °		NUKITA 2014/12/09		MATERIAL NO.		
DRAFT WHERE APPLICABLE MUST REMAIN WITHIN DIMENSIONS				SIZE	THIS DRAWING CONTAINS INFORMATION THAT IS PROPRIETARY TO MOLEX INCORPORATED AND SHOULD NOT BE USED WITHOUT WRITTEN PERMISSION		
				A3			



ON BOARD LOCATION REFERENCE

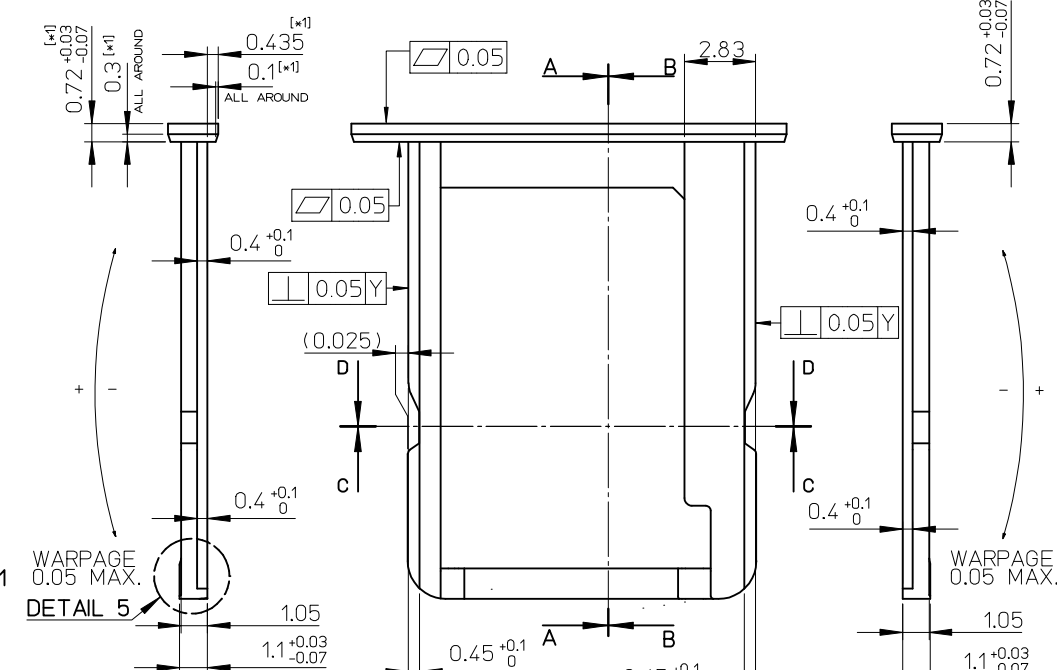
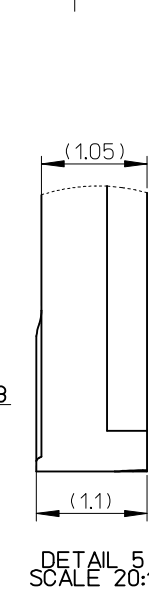
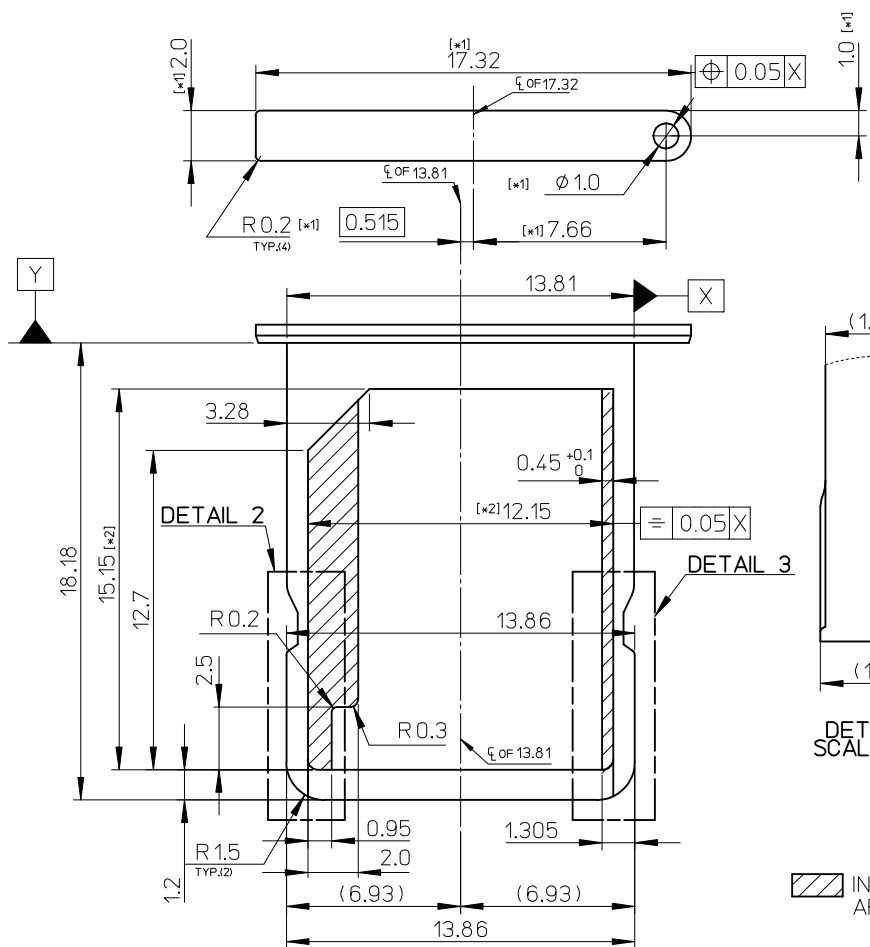
DETECT SWITCH MOUNT AREA  
DETECT LEVER MOUNT AREA (Vss : GROUND)

RECOMMENDED P.W.BOARD PATTERN LAYOUT  
TOLERANCE : ±0.05

△ PATTERN KEEP OUT AREA TOLERANCE : ±0.05  
△ GND RECOMMENDED PATTERN

SEE SHEET 1 EC NO: J2016-0468 DRW: YNAITO 2015/05/27 CHKD: TKUSUHARA01 2015/11/05 APPR: NUKITA 2015/11/05	GENERAL TOLERANCES (UNLESS SPECIFIED)		DIMENSION STYLE <b>MM ONLY</b>		SCALE <b>5:1</b>	DESIGN UNITS <b>METRIC</b>	THIRD ANGLE PROJECTION	
	0.25 UNDER ±0.03 0.25 OVER 0.5 UNDER ±0.05 0.5 OVER 1.0 UNDER ±0.1 1.0 OVER 10 UNDER ±0.2 10 OVER 30 UNDER ±0.25 30 OVER ±0.3 ANGULAR ±1 °	DRAWN BY MHAYASHI DATE 2014/11/26	TITLE <b>MICRO SIM CONN.                  BAR-PUSH TYPE DUAL HOOK                  ASSY ANTI-BUCKLING</b>					
	DRAFT WHERE APPLICABLE MUST REMAIN WITHIN DIMENSIONS	CHECKED BY TKUSUHARA DATE 2014/11/26	MATERIAL NO. <b>SEE SHEET 1</b>					
	SIZE <b>A3</b>	APPROVED BY NUKITA DATE 2014/12/09	DOCUMENT NO. <b>SD-505020-003</b>				SHEET NO. <b>2 OF 4</b>	

CONFIDENTIAL

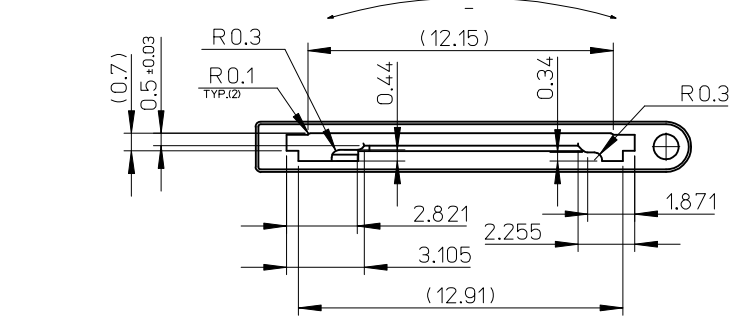


INSULATION PLATING AREA MAX. 0.02mm  
APPLY TO THE POINT OF CONTACT WITH CARD.

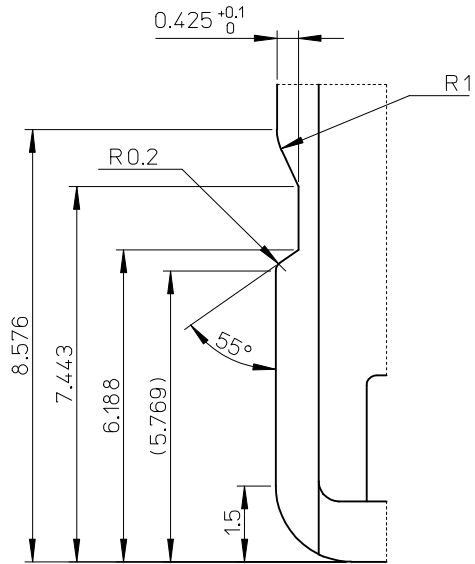
APPLICABLE MIM TRAY  
(REFERENCE ONLY)

TOLERANCE : ±0.05  
COPRANALITY 0.05MAX  
SURFACE ROUGHNESS : Ra=1µm MAX.

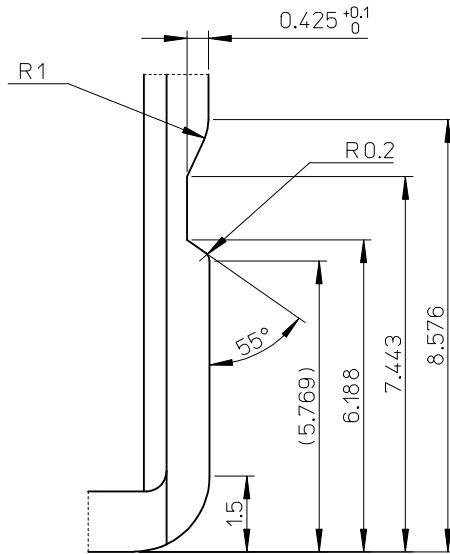
[\*1]CUSTOMER CAN DECIDE THIS DIMENSION.  
[\*2]INSULATION PLATING IS CONTAINED.



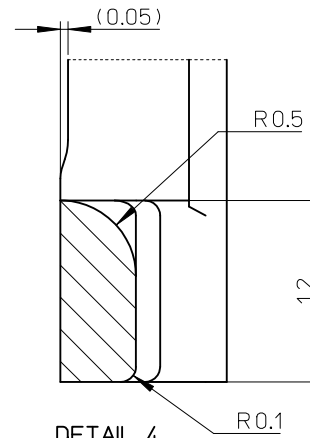
SEE SHEET 1 EC NO: J2016-0468 DRWN:YNAITO 2015/05/27 CHKD:TKUSUHARA01 2015/11/05 APPR:NUKITA 2015/11/05	GENERAL TOLERANCES (UNLESS SPECIFIED)		DIMENSION STYLE <b>MM ONLY</b>		SCALE 5:1	DESIGN UNITS METRIC	THIRD ANGLE PROJECTION	
	0.25 UNDER	±0.03	DRAWN BY		DATE	TITLE		
	0.25 OVER	0.5 UNDER	MHAYASHI		2014/11/26	MICRO SIM CONN. BAR-PUSH TYPE DUAL HOOK ASSY ANTI-BUCKLING		
	0.5 OVER	1.0 UNDER	CHECKED BY		DATE	<b>molex</b>		
1.0 OVER	10 UNDER	TKUSUHARA		2014/11/26	DOCUMENT NO.			
10 OVER	30 UNDER	APPROVED BY		DATE	SD-505020-003	3 OF 4		
30 OVER	±0.25	NUKITA		2014/12/09				
ANGULAR	±1 °	MATERIAL NO.						
		DRAFT WHERE APPLICABLE MUST REMAIN WITHIN DIMENSIONS		SEE SHEET 1				
		THIS DRAWING CONTAINS INFORMATION THAT IS PROPRIETARY TO MOLEX INCORPORATED AND SHOULD NOT BE USED WITHOUT WRITTEN PERMISSION						



DETAIL 2  
SCALE 10:1

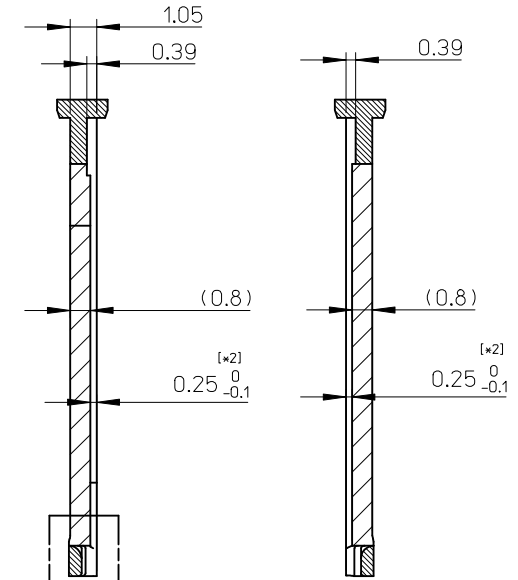


DETAIL 3  
SCALE 10:1



DETAIL 4  
SCALE 30:1

INSULATION PLATING AREA MAX. 0.02mm  
APPLY TO THE POINT OF CONTACT WITH CARD.

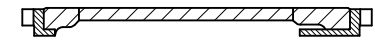


SECTION A-A

SECTION B-B



SECTION C-C



SECTION D-D

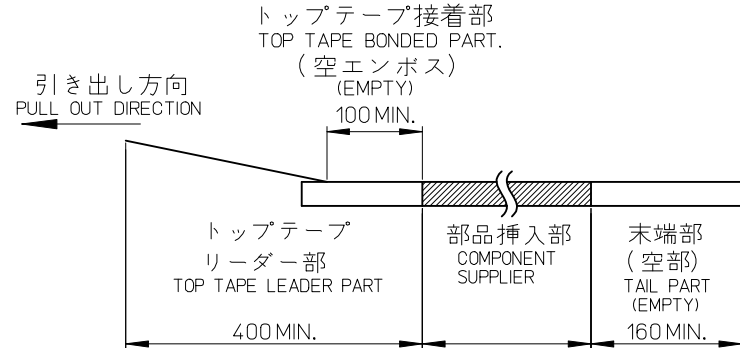
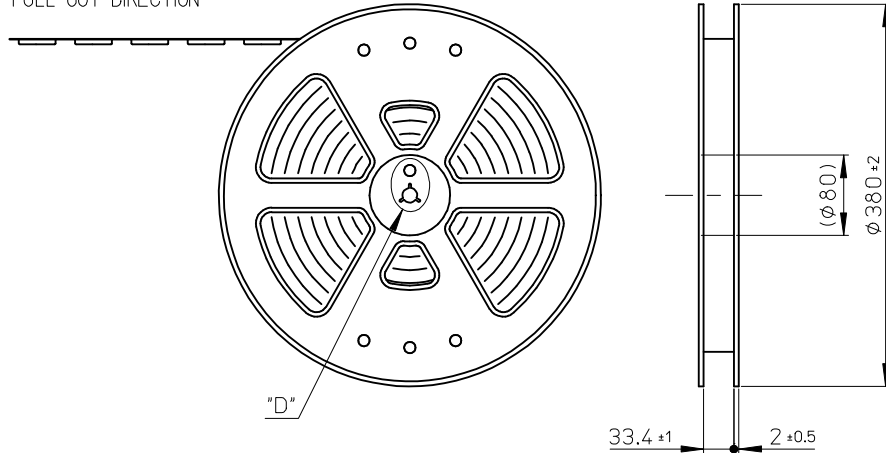
Molex shall not be responsible for any infringement to the extent such infringement is the result of (a) use of the Product(s) in combination with any other products not provided by Molex if the infringement would not have occurred but for such combination, (b) any alteration or modification of the Product(s) not undertaken or authorized by Molex if the infringement would not have occurred but for such alteration or modification, (c) Molex's compliance with Buyer's specifications if the infringement would not have occurred but for such compliance, or (d) Buyer's failure to comply with Molex's instructions regarded as necessary to render the Product(s) non-infringing if the infringement would not have occurred if Buyer would have complied with Molex's instructions.

SEE SHEET 1 EC NO: J2016-0468 DRWN: YMAITO 2015/05/27 CHKD: TKUSUHARA01 2015/11/05 APPR: NUKITA 2015/11/05	GENERAL TOLERANCES (UNLESS SPECIFIED)		DIMENSION STYLE MM ONLY		SCALE 5:1	DESIGN UNITS METRIC	THIRD ANGLE PROJECTION
	0.25 UNDER	±0.03	DRAWN BY	DATE	TITLE		
	0.25 OVER 0.5 UNDER	±0.05	MHAYASHI	2014/11/26	MICRO SIM CONN. BAR-PUSH TYPE DUAL HOOK ASSY ANTI-BUCKLING		
	0.5 OVER 1.0 UNDER	±0.1	CHECKED BY	DATE			
	1.0 OVER 10 UNDER	±0.2	TKUSUHARA	2014/11/26			
10 OVER 30 UNDER	±0.25	APPROVED BY	DATE	MATERIAL NO.	DOCUMENT NO.	SHEET NO.	
30 OVER	±0.3	NUKITA	2014/12/09	SEE SHEET 1	SD-505020-003	4 OF 4	
ANGULAR ±1 °		THIS DRAWING CONTAINS INFORMATION THAT IS PROPRIETARY TO MOLEX INCORPORATED AND SHOULD NOT BE USED WITHOUT WRITTEN PERMISSION					
DRAFT WHERE APPLICABLE MUST REMAIN WITHIN DIMENSIONS							

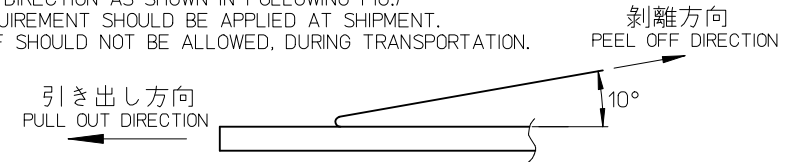
NOTES

- 製品詳細寸法については、SD 図面を参照下さい。  
RE DETAILED DIMENSION, SEE SALES DRAWING.
- 梱包数量：1200 個／リール  
NUMBER OF CONNECTORS：1400 PCS/REEL.
- リードテープ長さ LEAD TAPE LENGTH.

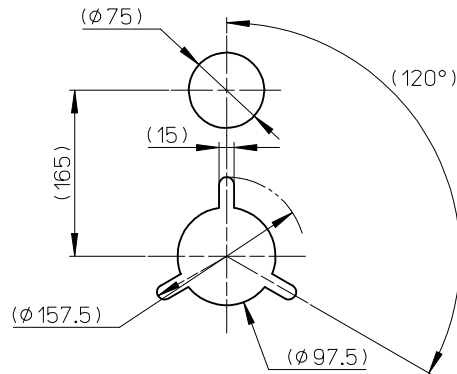
引き出し方向  
PULL OUT DIRECTION



- トップテープの剥離強度：JIS C0806-3に準拠(剥離方向は下図参照) 尚、本規格値は出荷時に適用。(但し、輸送時に剥離が発生しないこと。)  
PEELING OFF FORCE OF TOP TAPE：BASED UPON JIS C0806-3 (PEELING DIRECTION AS SHOWN IN FOLLOWING FIG.) THIS REQUIREMENT SHOULD BE APPLIED AT SHIPMENT. PEEL OFF SHOULD NOT BE ALLOWED, DURING TRANSPORTATION.



- 材料 MATERIAL  
キャリアテープ (CARRIER TAPE)：ポリスチレン (POLYSTYRENE)  
トップテープ (TOP TAPE)：PET, PE, PEF  
リール (REEL)：ポリスチレン (PS) <リサイクル材含む>  
POLYSTYRENE (PS) <RECYCLE MATERIAL CONTAINED>

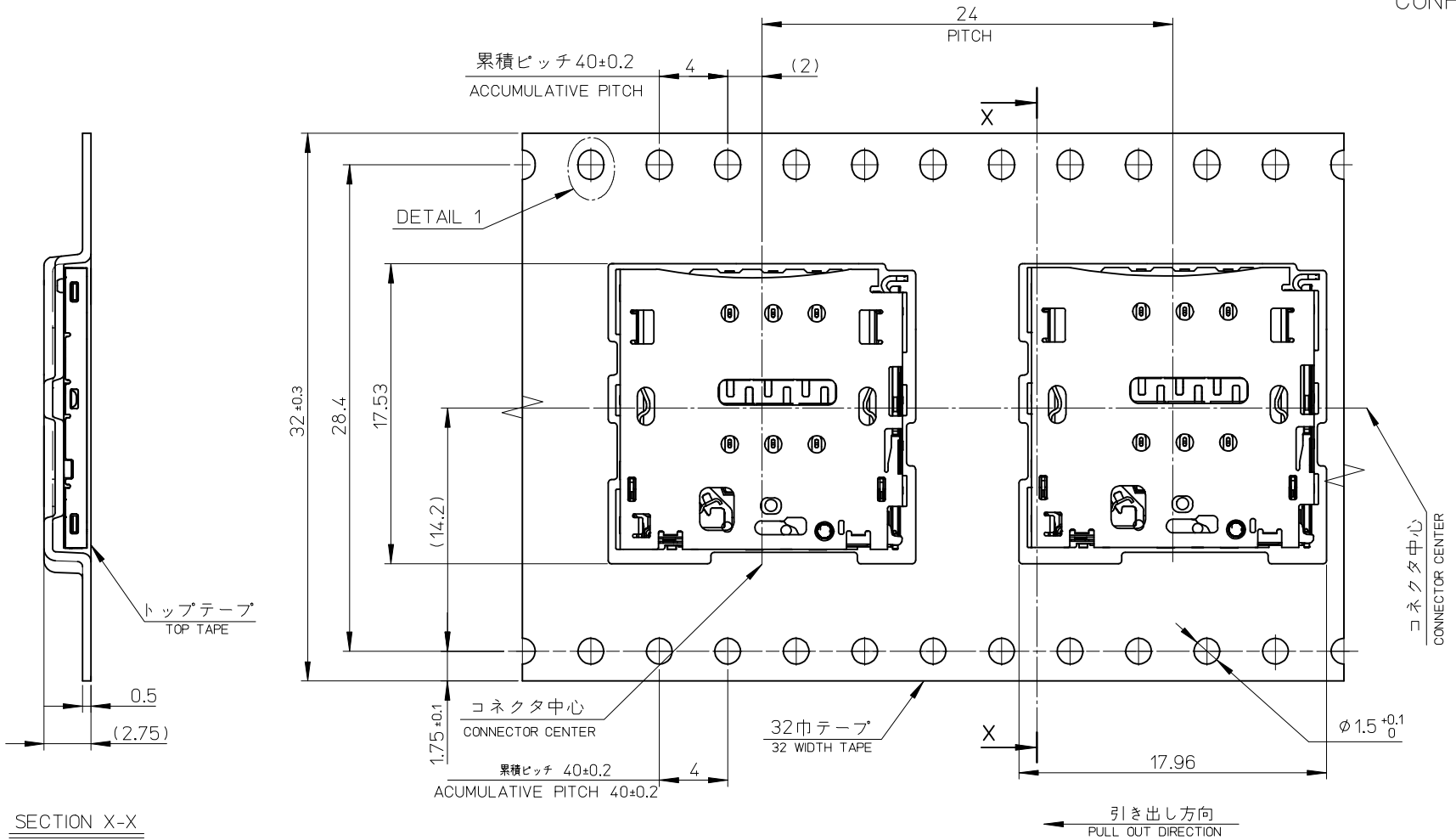


DETAIL "D"

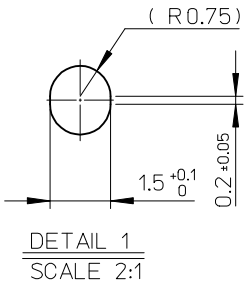
505020-0692	6
EMBOSSED PACKAGE	極数
オーダー番号 ORDER NO.	CIRCUITS
CONNECTOR SERIES No. 505020-****	

RELEASED EC NO.: J2015-0852 DRWN:YNAITO 2014/12/26 CHKD:TKUSUHARA01 2014/12/26 APPR:NUKITA 2014/12/26	GENERAL TOLERANCES (UNLESS SPECIFIED)		DIMENSION STYLE		SCALE	DESIGN UNITS	THIRD ANGLE PROJECTION
			MM ONLY		1:1	METRIC	
	0.25 UNDER	±0.03	DRAWN BY	DATE	TITLE		
	0.25 OVER 0.5 UNDER	±0.05	YNAITO	2014/12/26	MICRO SIM CONN. BAR-PUSH TYPE DUAL HOOK EMBOSSED TAPE PACKAGE		
0.5 OVER 1.0 UNDER	±0.1	CHECKED BY	DATE				SHEET NO. 1 OF 2
1.0 OVER 10 UNDER	±0.2	TKUSUHARA01	2014/12/26				
10 OVER 30 UNDER	±0.25	APPROVED BY	DATE	DOCUMENT NO.			SEE CHART
30 OVER	±0.3	NUKITA	2014/12/26	SD-505020-004			
ANGULAR ±1 °		MATERIAL NO.		THIS DRAWING CONTAINS INFORMATION THAT IS PROPRIETARY TO MOLEX INCORPORATED AND SHOULD NOT BE USED WITHOUT WRITTEN PERMISSION			
DRAFT WHERE APPLICABLE MUST REMAIN WITHIN DIMENSIONS				SIZE			
				A3			





SECTION X-X



DETAIL 1  
SCALE 2:1

SEE SHEET 1 EC NO: J2015-0852 DRWN: YNAITO 2014/12/26 CHKD: TKUSUHARA01 2014/12/26 APPR: NUKITA 2014/12/26	GENERAL TOLERANCES (UNLESS SPECIFIED)		DIMENSION STYLE MM ONLY		SCALE 4:1	DESIGN UNITS METRIC	THIRD ANGLE PROJECTION
	0.25 UNDER	±0.03	DRAWN BY YNAITO	DATE 2014/12/26	TITLE MICRO SIM CONN. BAR-PUSH TYPE DUAL HOOK EMBOSSSED TAPE PACKAGE		
	0.25 OVER 0.5 UNDER	±0.05	CHECKED BY TKUSUHARA01	DATE 2014/12/26			
	0.5 OVER 1.0 UNDER	±0.1	APPROVED BY NUKITA	DATE 2014/12/26			
	1.0 OVER 10 UNDER	±0.2	MATERIAL NO.	DOCUMENT NO.	SHEET NO.		
10 OVER 30 UNDER	±0.25	SEE SHEET 1		SD-505020-004		2 OF 2	
30 OVER	±0.3	THIS DRAWING CONTAINS INFORMATION THAT IS PROPRIETARY TO MOLEX INCORPORATED AND SHOULD NOT BE USED WITHOUT WRITTEN PERMISSION					
ANGULAR	±1 °	DRAFT WHERE APPLICABLE MUST REMAIN WITHIN DIMENSIONS					