



Chipsmall Limited consists of a professional team with an average of over 10 year of expertise in the distribution of electronic components. Based in Hongkong, we have already established firm and mutual-benefit business relationships with customers from,Europe,America and south Asia,supplying obsolete and hard-to-find components to meet their specific needs.

With the principle of “Quality Parts,Customers Priority,Honest Operation,and Considerate Service”,our business mainly focus on the distribution of electronic components. Line cards we deal with include Microchip,ALPS,ROHM,Xilinx,Pulse,ON,Everlight and Freescale. Main products comprise IC,Modules,Potentiometer,IC Socket,Relay,Connector.Our parts cover such applications as commercial,industrial, and automotives areas.

We are looking forward to setting up business relationship with you and hope to provide you with the best service and solution. Let us make a better world for our industry!



## Contact us

Tel: +86-755-8981 8866 Fax: +86-755-8427 6832

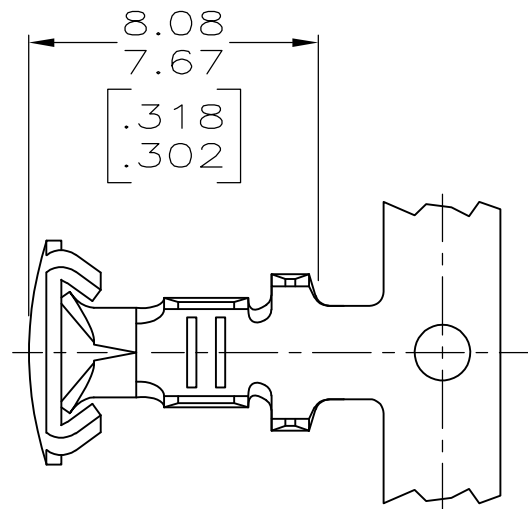
Email & Skype: info@chipsmall.com Web: www.chipsmall.com

Address: A1208, Overseas Decoration Building, #122 Zhenhua RD., Futian, Shenzhen, China



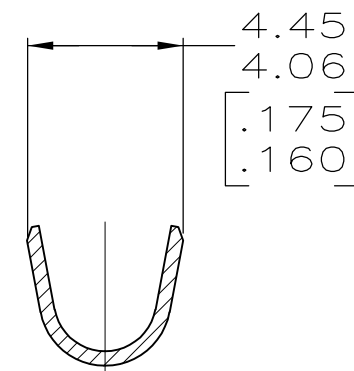
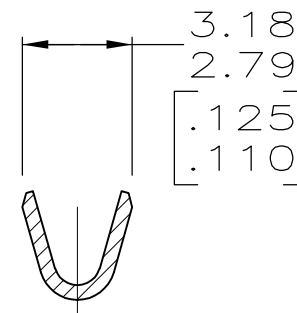
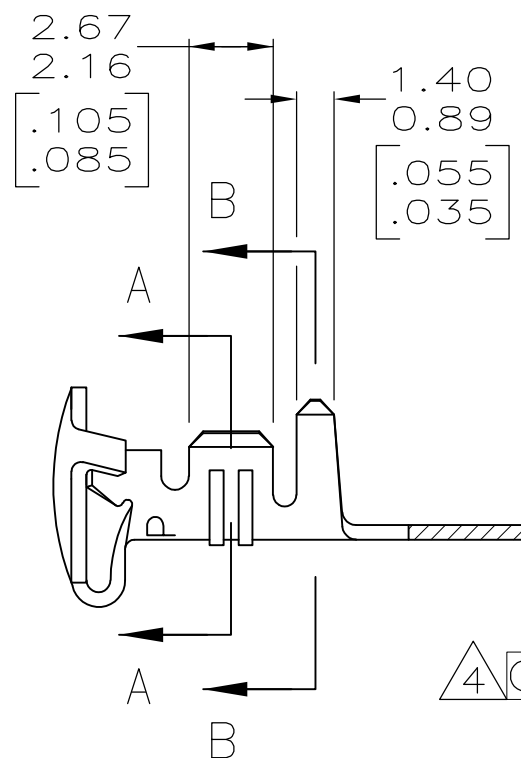
THIS DRAWING IS UNPUBLISHED. RELEASED FOR PUBLICATION ,19 .  
 © COPYRIGHT 19 BY AMP INCORPORATED. ALL INTERNATIONAL RIGHTS RESERVED.

LOC	DIST	P	F	REVISIONS				
				ZONE	LTR	DESCRIPTION	DATE	APPD
AF	50				H	REV PER 0710-0427-95	27/SEP/95	PF DS
					H1	REV PER ECO-09-020932	07SEP09	AEG



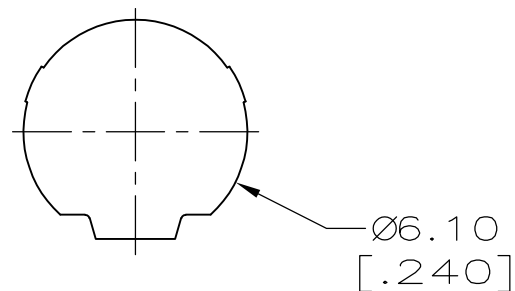
1. WIRE RANGE: 0.5 - 1.4 mm<sup>2</sup> [20 - 16 AWG].
2. INSULATION RANGE: 2.29 - 3.18 [.090 - .125] DIA.
3. DIMENSION IN BRACKETS ARE IN INCHES.

△ OBSOLETE PARTS: OBSOLETE CIS STREAMLINING PER D.RENAUD/D.SINISI



SECTION A-A

SECTION B-B



△ OBSOLETE

**METRIC**

THIS DRAWING IS A CONTROLLED DOCUMENT FOR AMP INCORPORATED. IT IS SUBJECT TO CHANGE AND THE CONTROLLING ENGINEERING ORGANIZATION SHOULD BE CONTACTED FOR THE LATEST REVISION.

MINI	-	505034-3
MINI	PRE TIN	505034-2
STANDARD	PRE TIN	505034-1
APPLICATOR TYPE	FINISH	PART NO
DO NOT SCALE PRINT. UNLESS SPECIFIED DIMENSIONS IN mm [INCHES] TOLERANCES ON: 2 PLC DEC ± 0.13 [.005] 3 PLC DEC ± - ANGLES ± -	DR 2-18-94 T. BECK CHK 2-18-94 R. SWING APPD 4-03-95 R. GRAY APPD 4-03-95 R. GRAY PRODUCT SPEC - APPLICATION SPEC - WEIGHT -	AMP Incorporated Harrisburg, PA 17105-3608
MATERIAL 0.41 [.016] BRASS	NAME <b>BUTTON CONTACT</b>	
FINISH SEE TABLE	SIZE <b>B</b>	CAGE CODE <b>00779</b>
	SCALE 5:1	DRAWING NO <b>C-505034</b>
		SHEET 1 OF 1