



Chipsmall Limited consists of a professional team with an average of over 10 year of expertise in the distribution of electronic components. Based in Hongkong, we have already established firm and mutual-benefit business relationships with customers from,Europe,America and south Asia,supplying obsolete and hard-to-find components to meet their specific needs.

With the principle of “Quality Parts,Customers Priority,Honest Operation,and Considerate Service”,our business mainly focus on the distribution of electronic components. Line cards we deal with include Microchip,ALPS,ROHM,Xilinx,Pulse,ON,Everlight and Freescale. Main products comprise IC,Modules,Potentiometer,IC Socket,Relay,Connector.Our parts cover such applications as commercial,industrial, and automotives areas.

We are looking forward to setting up business relationship with you and hope to provide you with the best service and solution. Let us make a better world for our industry!



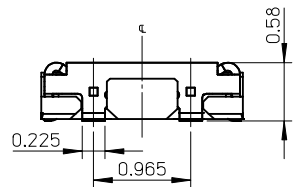
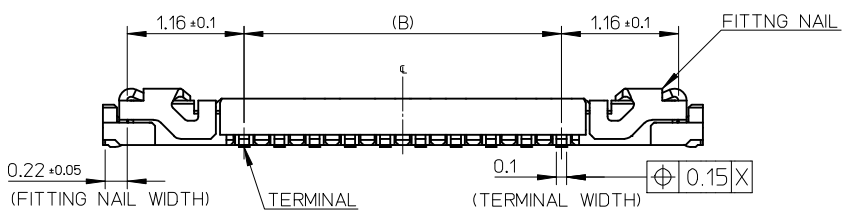
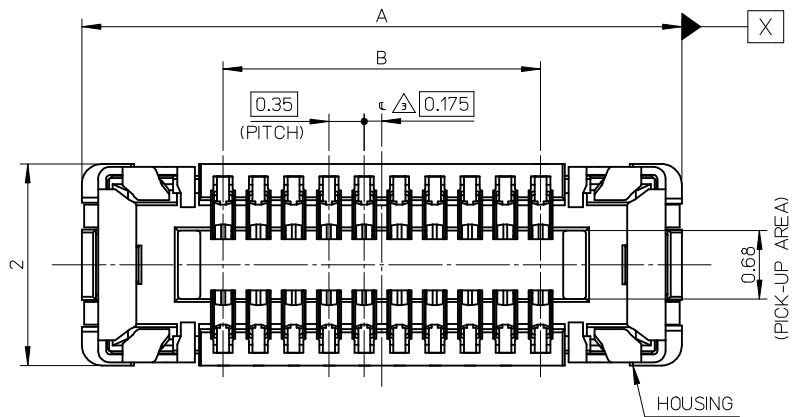
Contact us

Tel: +86-755-8981 8866 Fax: +86-755-8427 6832

Email & Skype: info@chipsmall.com Web: www.chipsmall.com

Address: A1208, Overseas Decoration Building, #122 Zhenhua RD., Futian, Shenzhen, China





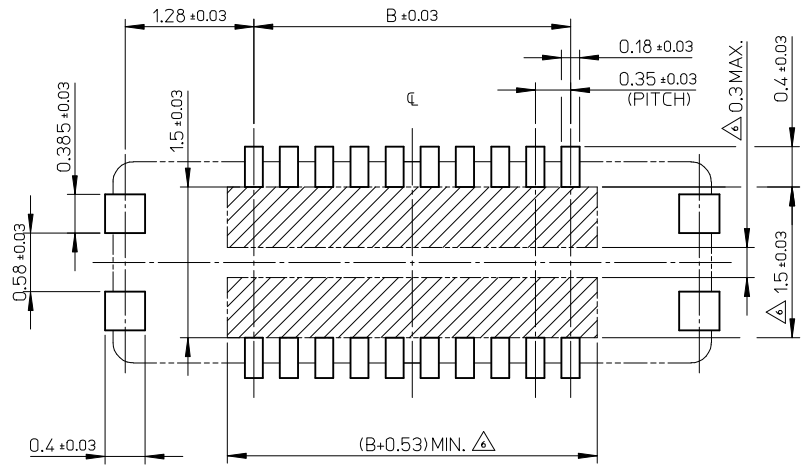
NOTES

1. MATERIAL
HOUSING : LIQUID CRYSTAL POLYMER UL94V-0(COLOR : BLACK)
TERMINAL : COPPER ALLOY
FITTING NAIL : COPPER ALLOY
2. PLATING
TERMINAL :
GOLD
UNDER PLATING : NICKEL
*DIVIDE INTO PARTS THE GOLD PLATING OF THE CONTACT AND THE TAIL PART BY THE NICKEL PLATING.
FITTING NAIL :
GOLD
UNDER PLATING : NICKEL
*DIVIDE INTO PARTS THE GOLD PLATING OF THE CONTACT AND THE TAIL PART BY THE NICKEL PLATING.
- △ APPLY FOR (CIRCUIT/2)=EVEN.
4. MATE WITH : 505070-***10
5. TAIL AND FITTING NAIL COPLANARITY TO BE 0.08MAXIMUM.
- △ PROHIBITED AREA OF PATTERN WIRING AND SOLDER.
(FOR EACH AREA, THE WIRING THAT TOUCHES ON THE SOLDER CAN BE ATTACHED, THEN COVERED WITH A FILM TO KEEP SOLDER OUT.)
7. ELV and RoHS COMPLIANT.

1.75	4.55	505066-1210	o	---	12
0.70	3.50	505066-0610	o	---	6
B	A	EMBOSSED TAPE PACKAGE	HIGH VOL. TOOL	LOW VOL. TOOL	CIRCUIT
		ORDER NO.	SAMPLE PREPARATION o : TOOLED △ : WORK IN PROCESS ---: TOOLING TO BE CONFIRMED		

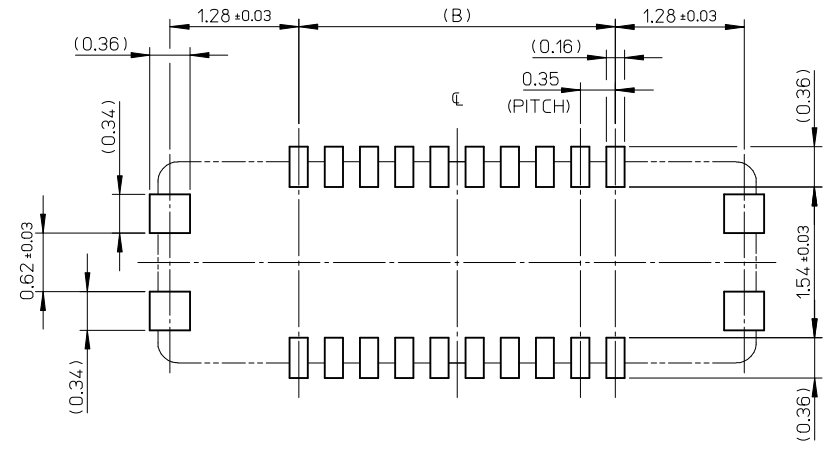
CONNECTOR SERIES No. : 505066-***09

REVISED EC NO: J2016-1010 DRWN:MIT001 2016/03/30 CHKD:TASAKAWA 2016/03/30 APPR:KMORIKAWA 2016/03/31	GENERAL TOLERANCES (UNLESS SPECIFIED)		DIMENSION STYLE MM ONLY		SCALE 20:1	DESIGN UNITS METRIC	THIRD ANGLE PROJECTION
	0.25 UNDER	± 0.03	DRAWN BY	DATE	TITLE		
	0.25 OVER 0.5 UNDER	± 0.05	KSASAKI	2014/04/07	0.35 BB CONN. H=0.6 SSB6 RP REC. ASSY		
	0.5 OVER 1.0 UNDER	± 0.1	CHECKED BY	DATE			
	1.0 OVER 10 UNDER	± 0.2	KTANAKA03	2014/04/07			
10 OVER 30 UNDER	± 0.25	APPROVED BY	DATE	DOCUMENT NO.		SHEET NO.	
30 OVER	± 0.3	KMORIKAWA	2014/04/08	SD-505066-001		1 OF 2	
ANGULAR ±1 °		MATERIAL NO.		SEE CHART			
DRAFT WHERE APPLICABLE MUST REMAIN WITHIN DIMENSIONS		SIZE A3	THIS DRAWING CONTAINS INFORMATION THAT IS PROPRIETARY TO MOLEX ELECTRONIC TECHNOLOGIES, LLC AND SHOULD NOT BE USED WITHOUT WRITTEN PERMISSION				



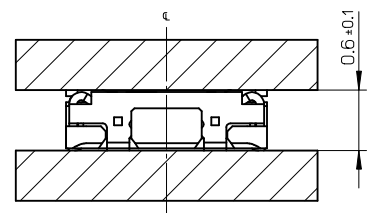
RECOMMENDED P.W.BOARD PATTERN LAYOUT (REFERENCE)

△ PROHIBITED AREA OF PATTERN WIRING AND SOLDER.
 (FOR EACH AREA, THE WIRING THAT TOUCHES ON THE SOLDER
 CAN BE ATTACHED, THEN COVERED WITH A FILM TO KEEP SOLDER OUT.)



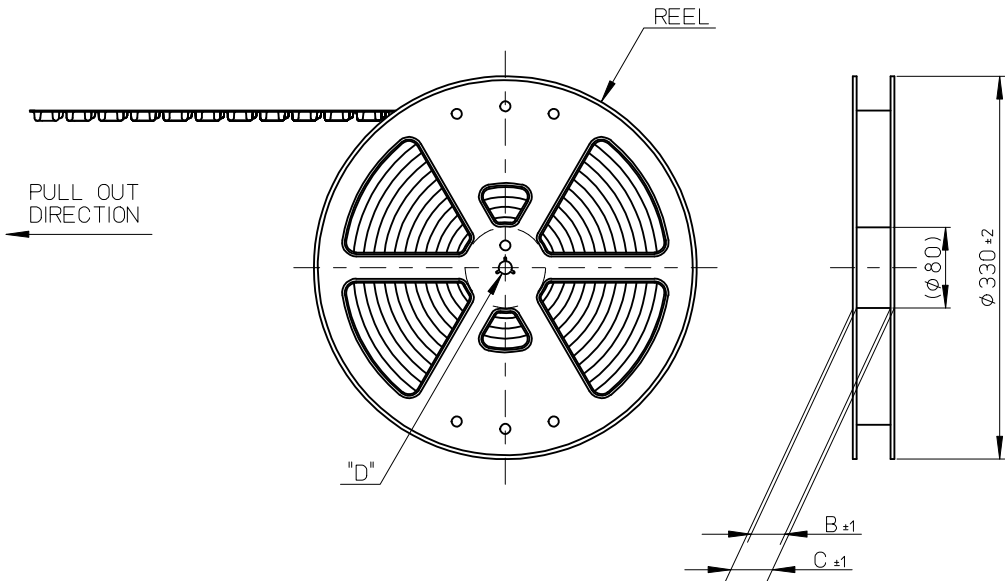
RECOMMENDED METAL MASK LAYOUT (REFERENCE)

RECOMMENDED THICKNESS OF METAL MASK : t=0.08mm
 RECOMMENDED OPEN APERTURE RATIO OF METAL MASK : 80%



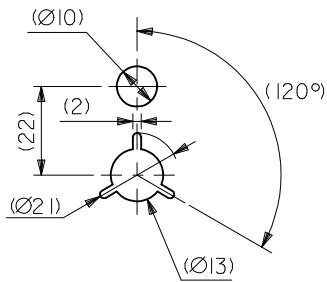
MATED CONDITION

REVISED EC NO: J2016-1010 DRWN:MIT001 2016/03/30 CHKD:TASAKAWA 2016/03/30 APPR:KMORIKAWA 2016/03/31	GENERAL TOLERANCES (UNLESS SPECIFIED)		DIMENSION STYLE MM ONLY		SCALE 20:1	DESIGN UNITS METRIC	THIRD ANGLE PROJECTION
	0.25 UNDER	±0.03	DRAWN BY	DATE	TITLE		
	0.25 OVER 0.5 UNDER	±0.05	KSASAKI	2014/04/07	0.35 BB CONN. H=0.6		
	0.5 OVER 1.0 UNDER	±0.1	CHECKED BY	DATE	SSB6 RP		
	1.0 OVER 10 UNDER	±0.2	KTANAKA03	2014/04/07	REC. ASSY		
10 OVER 30 UNDER	±0.25	APPROVED BY	DATE	molex DOCUMENT NO. SD-505066-001 SHEET NO. 2 OF 2			
30 OVER	±0.3	KMORIKAWA	2014/04/08				
ANGULAR	±1 °	MATERIAL NO.	SEE SHEET1				
DRAFT WHERE APPLICABLE MUST REMAIN WITHIN DIMENSIONS		SIZE A3	THIS DRAWING CONTAINS INFORMATION THAT IS PROPRIETARY TO MOLEX ELECTRONIC TECHNOLOGIES, LLC AND SHOULD NOT BE USED WITHOUT WRITTEN PERMISSION				



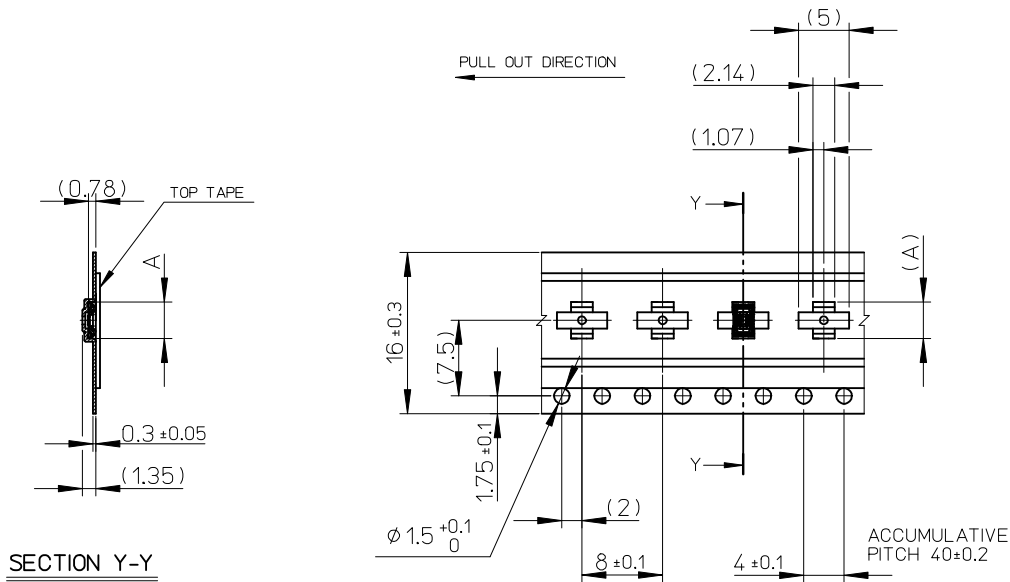
NOTES

1. RE DETAILED DIMENSION, SEE PRODUCT DRAWING.
2. NUMBER OF CONNECTORS : 3000PCS/REEL
3. LEAD TAPE LENGTH
4. TOP TAPE PEEL FORCE IS DEFINED BY IEC60286-3.
5. MATERIAL
 CARRIER TAPE : POLYSTYRENE
 TOP TAPE : PET , OTHER
 REEL : POLYSTYRENE (PS) <RECYCLE MATERIAL CONTAINED>
6. ELV AND RoHS COMPLIANT



DETAIL "D"

REVISED EC NO: J2016-1010 DRWN:MITO01 2016/03/30 CHKD:TASAKAWA 2016/03/30 APPR:KMORIKAWA 2016/03/31	GENERAL TOLERANCES (UNLESS SPECIFIED)		DIMENSION STYLE		MODEL NO.	505066-**10	
	0.25 UNDER ±0.03		MM ONLY		DESIGN UNITS	METRIC	
	0.25 OVER 0.5 UNDER ±0.05		DRAWN BY DATE		0.35 BB CONN. H=0.6 SSB6 RP REC. ASSY EMBSTP PKG		
	0.5 OVER 1.0 UNDER ±0.1		KSASAKI 2014/04/07				
	1.0 OVER 10 UNDER ±0.2		CHECKED BY DATE				
10 OVER 30 UNDER ±0.25		KTANAKA03 2014/04/07					
30 OVER ±0.3		APPROVED BY DATE		DOCUMENT NO.	SD-505066-002	SHEET NO.	1 OF 2
ANGULAR ±1 °		MATERIAL NO.		THIS DRAWING CONTAINS INFORMATION THAT IS PROPRIETARY TO MOLEX ELECTRONIC TECHNOLOGIES, LLC AND SHOULD NOT BE USED WITHOUT WRITTEN PERMISSION			
DRAFT WHERE APPLICABLE MUST REMAIN WITHIN DIMENSIONS		SIZE					
K		A3					



SECTION Y-Y

16	21.4	17.4	4.67	505066-1210	0	---	12	
			3.62	505066-0610	0	---	6	
キャリアテープ幅 CARRIER TAPE WIDTH		C	B	(A)	MATERIAL No.	HIGH VOL. TOOL	LOW VOL. TOOL	CIRCUIT
						SAMPLE PREPARATION		

REVISED EC NO: J2016-1010 DRWN:MITO01 2016/03/30 CHKD:TASAKAWA 2016/03/30 APPR:KMORIKAWA 2016/03/31	GENERAL TOLERANCES (UNLESS SPECIFIED)		DIMENSION STYLE		SCALE	DESIGN UNITS	THIRD ANGLE PROJECTION	
	0.25 UNDER ±0.03		MM ONLY		2:1	METRIC	0.35 BB CONN. H=0.6 SSB6 RP REC. ASSY EMBSTP PKG molex	
	0.25 OVER 0.5 UNDER ±0.05		DRAWN BY DATE		TITLE		DOCUMENT NO.	
	0.5 OVER 1.0 UNDER ±0.1		KSASAKI 2014/04/07		SEE CHART		SD-505066-002	
1.0 OVER 10 UNDER ±0.2		CHECKED BY DATE		MATERIAL NO.		SHEET NO.		
10 OVER 30 UNDER ±0.25		KTANAKA03 2014/04/07		THIS DRAWING CONTAINS INFORMATION THAT IS PROPRIETARY TO MOLEX ELECTRONIC TECHNOLOGIES, LLC AND SHOULD NOT BE USED WITHOUT WRITTEN PERMISSION		2 OF 2		
30 OVER ±0.3		APPROVED BY DATE						
ANGULAR ±1 °		KMORIKAWA 2014/04/08						
DRAFT WHERE APPLICABLE MUST REMAIN WITHIN DIMENSIONS		SIZE						
		A3						