



Chipsmall Limited consists of a professional team with an average of over 10 year of expertise in the distribution of electronic components. Based in Hongkong, we have already established firm and mutual-benefit business relationships with customers from,Europe,America and south Asia,supplying obsolete and hard-to-find components to meet their specific needs.

With the principle of “Quality Parts,Customers Priority,Honest Operation,and Considerate Service”,our business mainly focus on the distribution of electronic components. Line cards we deal with include Microchip,ALPS,ROHM,Xilinx,Pulse,ON,Everlight and Freescale. Main products comprise IC,Modules,Potentiometer,IC Socket,Relay,Connector.Our parts cover such applications as commercial,industrial, and automotives areas.

We are looking forward to setting up business relationship with you and hope to provide you with the best service and solution. Let us make a better world for our industry!



Contact us

Tel: +86-755-8981 8866 Fax: +86-755-8427 6832

Email & Skype: info@chipsmall.com Web: www.chipsmall.com

Address: A1208, Overseas Decoration Building, #122 Zhenhua RD., Futian, Shenzhen, China



F

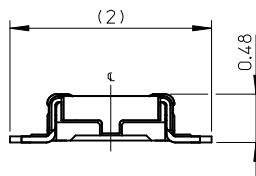
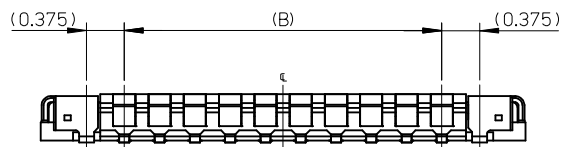
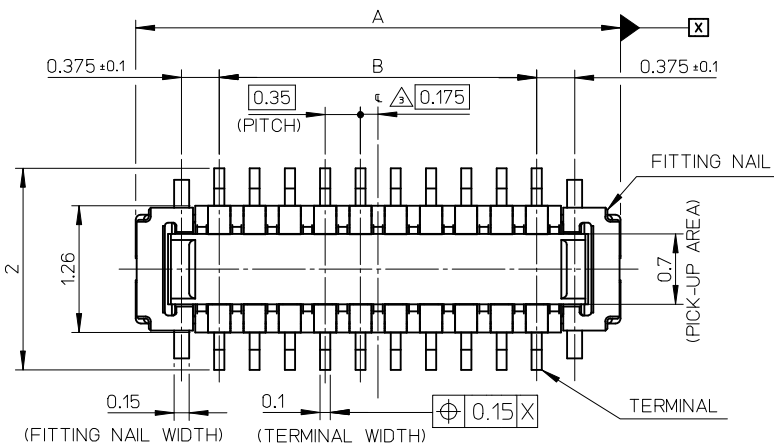
E

D

C

B

A



NOTES

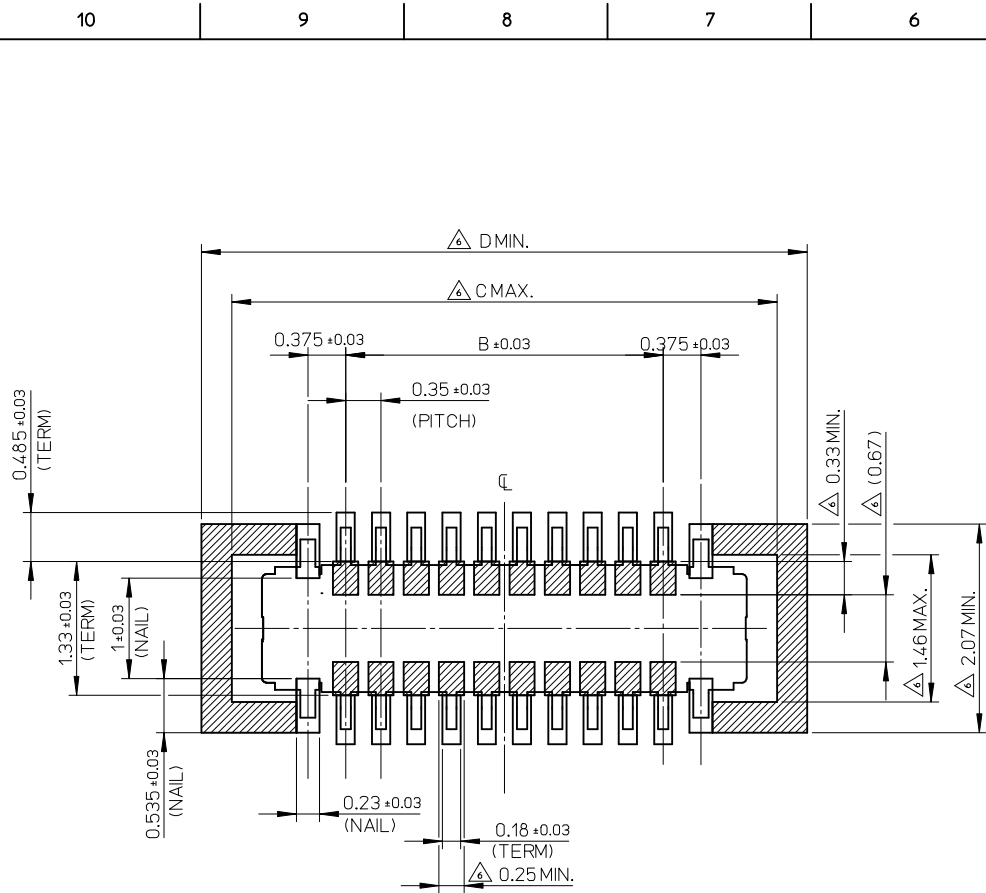
1. MATERIAL
 WAFER : LIQUID CRYSTAL POLYMER UL94V-0(COLOR : BLACK)
 TERMINAL : COPPER ALLOY
 FITTING NAIL : COPPER ALLOY
2. PLATING
 TERMINAL :
 GOLD / UNDER PLATING : NICKEL
 *DIVIDE INTO PARTS THE GOLD PLATING OF THE CONTACT AND THE TAIL PART BY THE NICKEL PLATING.
 FITTING NAIL :
 GOLD / UNDER PLATING : NICKEL
 *DIVIDE INTO PARTS THE GOLD PLATING OF THE CONTACT AND THE TAIL PART BY THE NICKEL PLATING.
 *EVEN THOUGH GOLD PLATING ON THE TOP SURFACE OF NAIL MIGHT BE THIN, NO FUNCTIONAL PROBLEM.
- △ APPLY FOR (CIRCUIT/2)=EVEN.
4. MATE WITH : 505066-***10
5. TAIL AND FITTING NAIL COPLANARITY TO BE 0.08MAXIMUM.
- △ PROHIBITED AREA OF PATTERN WIRING AND SOLDER.
 (FOR EACH AREA, THE WIRING THAT TOUCHES ON THE SOLDER CAN BE ATTACHED, THEN COVERED WITH A FILM TO KEEP SOLDER OUT.)
7. ELV and RoHS COMPLIANT.

14.76	14.16	11.90	13.56	505070-7010	---	---	70
13.71	13.11	10.85	12.51	505070-6410	---	---	64
13.01	12.41	10.15	11.81	505070-6010	---	---	60
12.66	12.06	9.80	11.46	505070-5810	---	---	58
11.96	11.36	9.10	10.76	505070-5410	---	---	54
11.26	10.66	8.40	10.06	505070-5010	---	---	50
10.91	10.31	8.05	9.71	505070-4810	o	---	48
10.56	9.96	7.70	9.36	505070-4610	---	---	46
9.86	9.26	7.00	8.66	505070-4210	---	---	42
9.51	8.91	6.65	8.31	505070-4010	o	---	40
9.16	8.56	6.30	7.96	505070-3810	---	---	38
8.46	7.86	5.60	7.26	505070-3410	o	---	34
7.76	7.16	4.90	6.56	505070-3010	o	---	30
6.71	6.11	3.85	5.51	505070-2410	o	---	24
6.36	5.76	3.50	5.16	505070-2210	---	---	22
6.01	5.41	3.15	4.81	505070-2010	---	---	20
5.66	5.06	2.80	4.46	505070-1810	---	---	18
5.31	4.71	2.45	4.11	505070-1610	o	---	16
4.96	4.36	2.10	3.76	505070-1410	---	---	14
4.61	4.01	1.75	3.41	505070-1210	o	---	12
4.26	3.66	1.40	3.06	505070-1010	---	---	10
3.56	2.96	0.70	2.36	505070-0610	o	---	6

D	C	B	A	EMBOSSED TAPE PACKAGE	HIGH VOL. TOOL	LOW VOL. TOOL	CIRCUIT
				ORDER NO.	SAMPLE PREPARATION o : TOOLED △ : WORK IN PROCESS --- : TOOLING TO BE CONFIRMED		

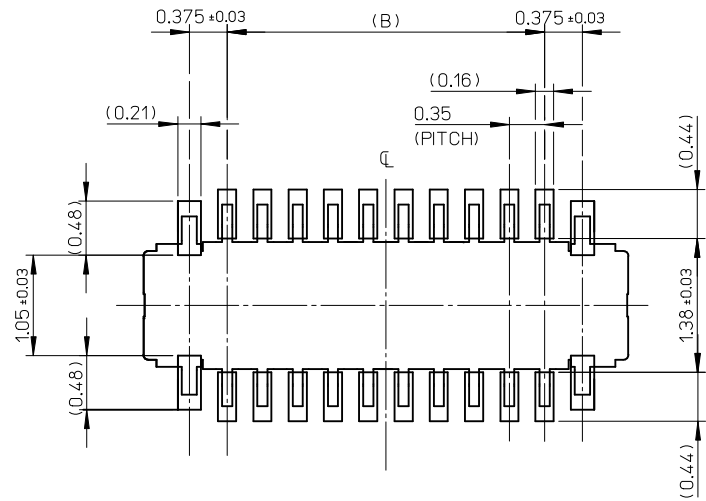
CONNECTOR SERIES No. : 505070-***09

REVISED EC NO: J2016-0051 DRWN: ISOMEYA 2015/07/15 CHKD: TANAKA03 2015/07/15 APPR: KMORIKAWA 2015/07/15	GENERAL TOLERANCES (UNLESS SPECIFIED)		DIMENSION STYLE MM ONLY		SCALE 20:1	DESIGN UNITS METRIC	THIRD ANGLE PROJECTION
	0.25 UNDER	±0.03	DRAWN BY KSASAKI	DATE 2014/04/15	TITLE 0.35 BB CONN. H=0.6 SSB6 RP PLUG ASSY		
	0.25 OVER 0.5 UNDER	±0.05	CHECKED BY KTANAKA03	DATE 2014/04/15	DOCUMENT NO. SD-505070-001		
	0.5 OVER 1.0 UNDER	±0.1	APPROVED BY KMORIKAWA	DATE 2014/05/02	SHEET NO. 1 OF 2		
1.0 OVER 10 UNDER	±0.2	MATERIAL NO.		SEE CHART			
10 OVER 30 UNDER	±0.25	DRAFT WHERE APPLICABLE MUST REMAIN WITHIN DIMENSIONS		THIS DRAWING CONTAINS INFORMATION THAT IS PROPRIETARY TO MOLEX INCORPORATED AND SHOULD NOT BE USED WITHOUT WRITTEN PERMISSION			
30 OVER	±0.3	SIZE A3					



RECOMMENDED P.W.BOARD PATTERN LAYOUT (REFERENCE)

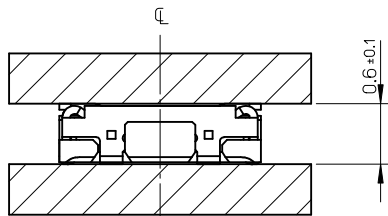
△ PROHIBITED AREA OF PATTERN WIRING AND SOLDER.
(FOR EACH AREA, THE WIRING THAT TOUCHES ON THE SOLDER
CAN BE ATTACHED, THEN COVERED WITH A FILM TO KEEP SOLDER OUT.)



RECOMMENDED METAL MASK LAYOUT (REFERENCE)

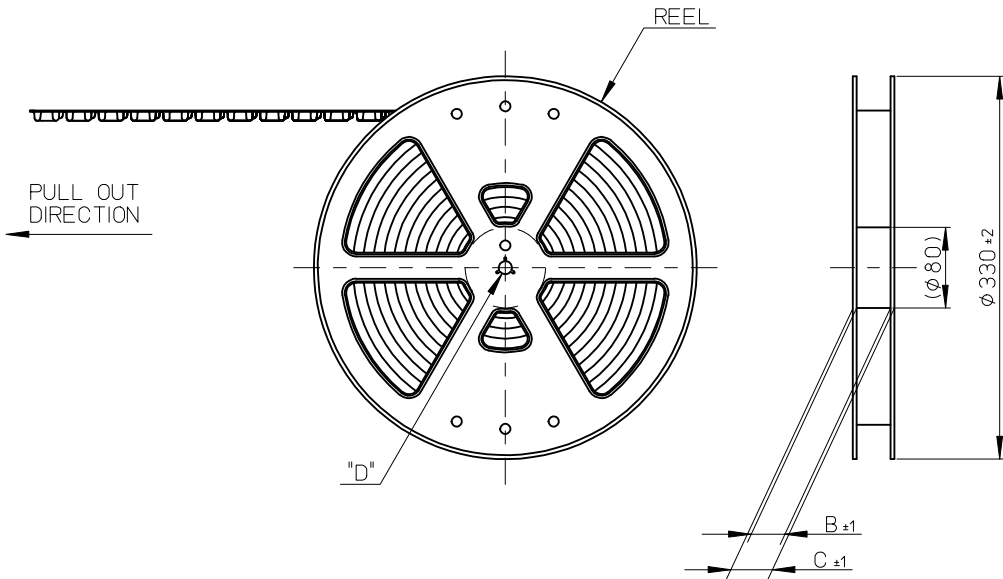
RECOMMENDED THICKNESS OF METAL MASK : t=0.08mm

RECOMMENDED OPEN APERTURE RATIO OF METAL MASK : 80%

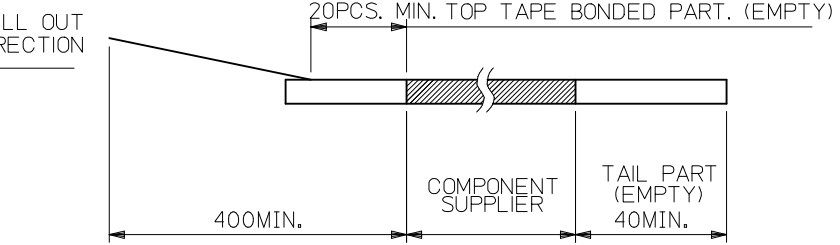


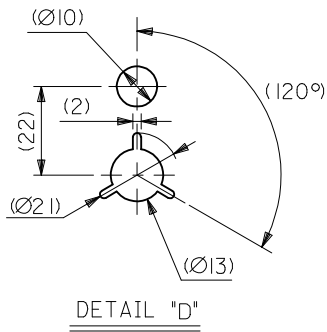
MATED CONDITION

SEE SHEET 1 OF 2 EC NO: J2016-0051 DRWN: TSOMEYA 2015/07/15 CHKD: TANAKA03 2015/07/15 APPR: KMORIKAWA 2015/07/15	GENERAL TOLERANCES (UNLESS SPECIFIED)		DIMENSION STYLE MM ONLY		SCALE 20:1	DESIGN UNITS METRIC	THIRD ANGLE PROJECTION
	0.25 UNDER	± 0.03	DRAWN BY	DATE	TITLE		
	0.25 OVER 0.5 UNDER	± 0.05	KSASAKI	2014/04/15	0.35 BB CONN. H=0.6		
	0.5 OVER 1.0 UNDER	± 0.1	CHECKED BY	DATE	SSB6 RP		
	1.0 OVER 10 UNDER	± 0.2	KTANAKA03	2014/04/15	PLUG ASSY		
10 OVER 30 UNDER	± 0.25	APPROVED BY	DATE				
30 OVER	± 0.3	KMORIKAWA	2014/05/02				
ANGULAR ±1 °		MATERIAL NO.		DOCUMENT NO.		SHEET NO.	
DRAFT WHERE APPLICABLE MUST REMAIN WITHIN DIMENSIONS			SEE SHEET 1		SD-505070-001		2 OF 2
				THIS DRAWING CONTAINS INFORMATION THAT IS PROPRIETARY TO MOLEX INCORPORATED AND SHOULD NOT BE USED WITHOUT WRITTEN PERMISSION			



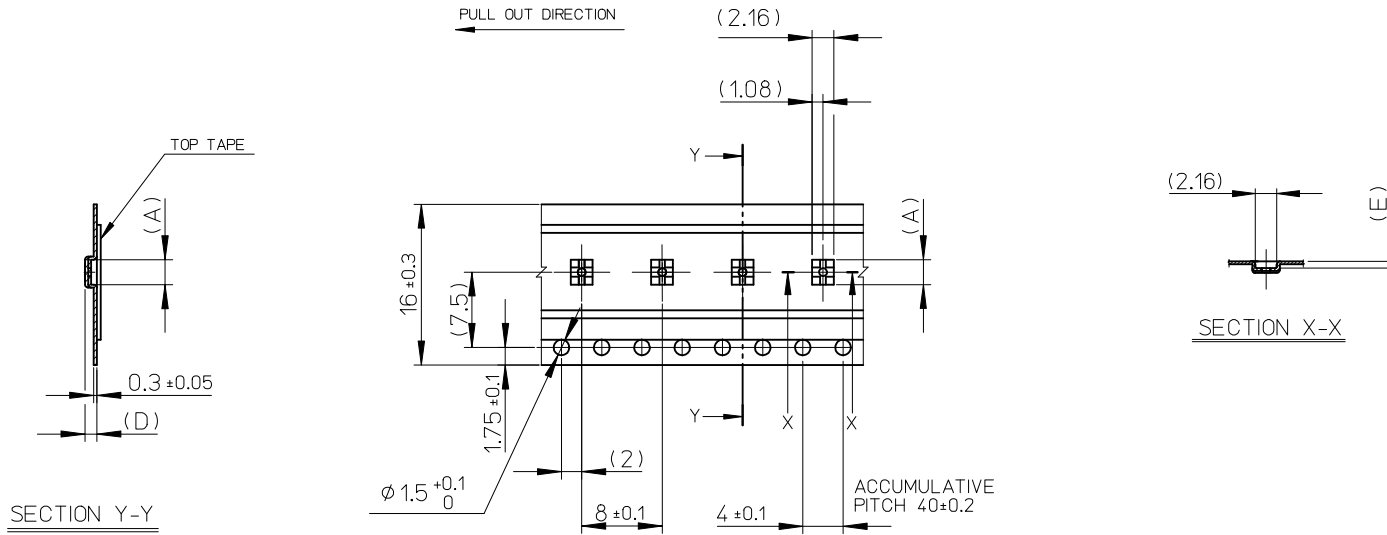
NOTES

1. RE DETAILED DIMENSION, SEE PRODUCT DRAWING.
2. NUMBER OF CONNECTORS : 3000PCS/REEL
3. LEAD TAPE LENGTH

4. TOP TAPE PEEL FORCE IS DEFINED BY IEC60286-3.
5. MATERIAL
 CARRIER TAPE : POLYSTYRENE
 TOP TAPE : PET , OTHER
 REEL : POLYSTYRENE (PS) <RECYCLE MATERIAL CONTAINED>
6. ELV AND RoHS COMPLIANT



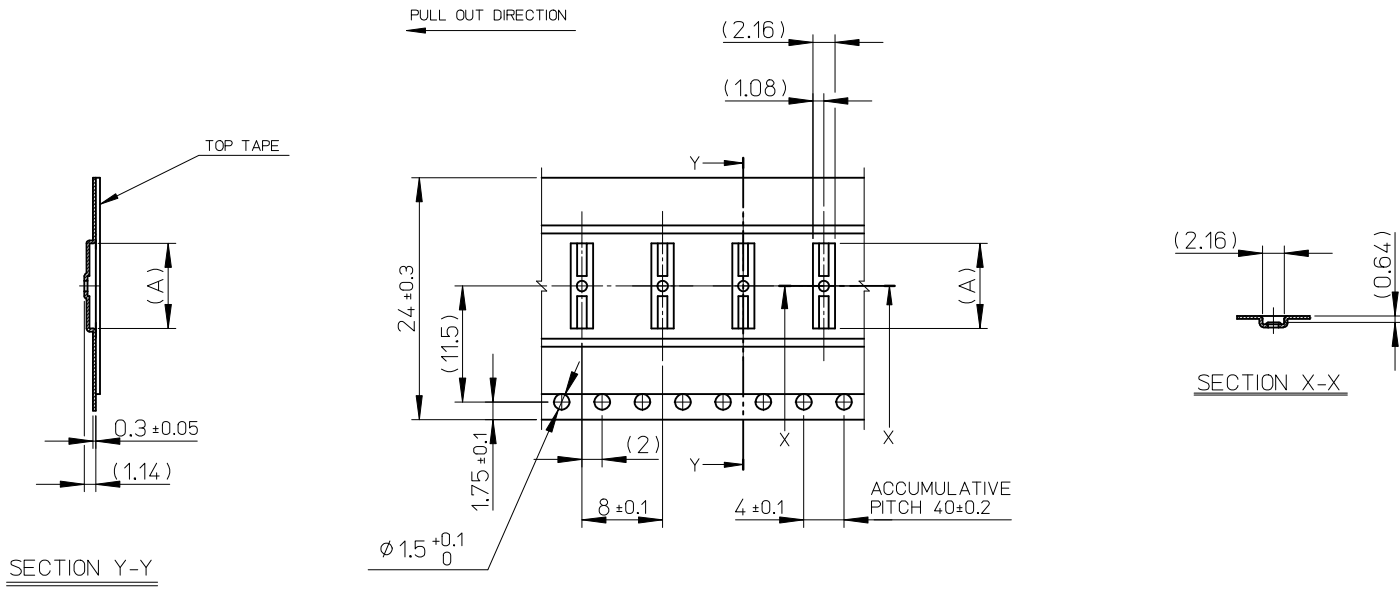
DETAIL "D"

REVISED EC NO: J2016-09/41 DRWN: ISOMEYA 2016/03/07 CHK'D: TANAKA03 2016/03/08 APPR: KMORIKAWA 2016/03/08	GENERAL TOLERANCES (UNLESS SPECIFIED)		DIMENSION STYLE		MODEL NO.	505066-***10
	0.25 UNDER ±0.03		MM ONLY		DESIGN UNITS	METRIC
	0.25 OVER 0.5 UNDER ±0.05		DRAWN BY DATE		THIRD ANGLE PROJECTION 0.35 BB CONN. H=0.6 SSB6 RP PLUG ASSY EMBSTP PKG molex	
	0.5 OVER 1.0 UNDER ±0.1		KSASAKI 2014/03/10			
1.0 OVER 10 UNDER ±0.2		CHECKED BY DATE		DOCUMENT NO.	SD-505070-002	
10 OVER 30 UNDER ±0.25		KTANAKA03 2014/03/10		THIS DRAWING CONTAINS INFORMATION THAT IS PROPRIETARY TO MOLEX ELECTRONIC TECHNOLOGIES, LLC AND SHOULD NOT BE USED WITHOUT WRITTEN PERMISSION		
30 OVER ±0.3		APPROVED BY DATE				
ANGULAR ±1 °		KMORIKAWA 2014/08/01		SHEET NO.		
DRAFT WHERE APPLICABLE MUST REMAIN WITHIN DIMENSIONS		MATERIAL NO.		1 OF 3		
SIZE		SEE CHART				
A3						



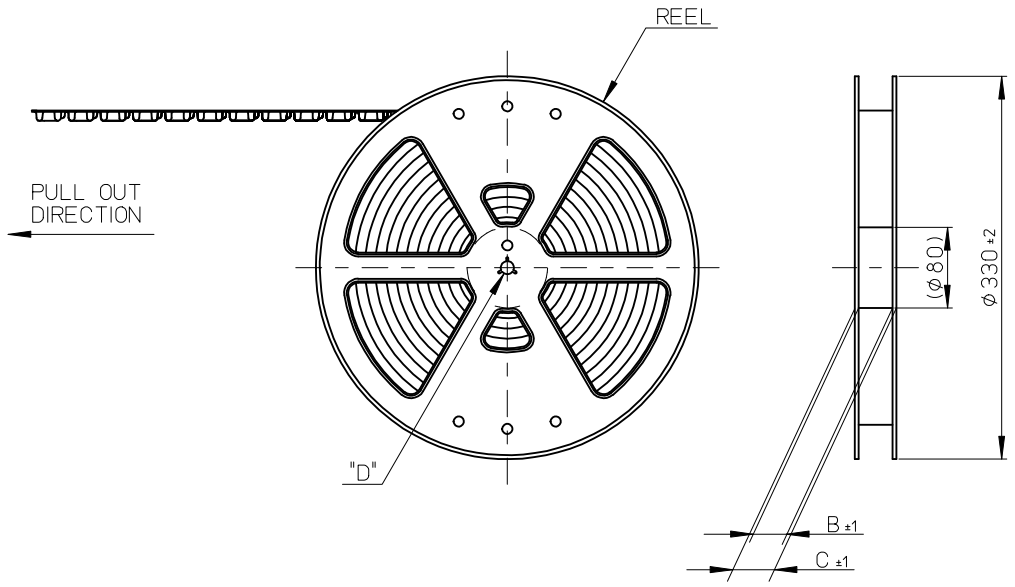
16	0.64	1.14	21.4	17.4	6.68	505070-3010	o	---	30	
					5.63	505070-2410	o	---	24	
					5.28	505070-2210	---	---	22	
					4.93	505070-2010	---	---	20	
					4.58	505070-1810	---	---	18	
					4.23	505070-1610	o	---	16	
					3.88	505070-1410	---	---	14	
					3.53	505070-1210	o	---	12	
					3.18	505070-1010	---	---	10	
					2.43	505070-0610	o	---	6	
キャリアテープ幅 CARRIER TAPE WIDTH		(E)	(D)	C	B	(A)	MATERIAL No.	HIGH VOL. TOOL	LOW VOL. TOOL	CIRCUIT

SEE SHEET 1 OF 3 EC NO: J2016-09/41 DRAWN: ISOMEYA 2016/03/07 CHKD: TANAKA03 2016/03/08 APPR: KMORIKAWA 2016/03/08	GENERAL TOLERANCES (UNLESS SPECIFIED)		DIMENSION STYLE MM ONLY		SCALE 2:1	DESIGN UNITS METRIC	THIRD ANGLE PROJECTION		
	0.25 UNDER	± 0.03	DRAWN BY	DATE	TITLE				
	0.25 OVER	0.5 UNDER	± 0.05	KSASAKI	2014/03/10	0.35 BB CONN. H=0.6 SSB6 RP PLUG ASSY EMBSTP PKG			
	0.5 OVER	1.0 UNDER	± 0.1	CHECKED BY	DATE	molex			
	1.0 OVER	10 UNDER	± 0.2	TANAKA03	2014/03/10				
10 OVER	30 UNDER	± 0.25	APPROVED BY	DATE	DOCUMENT NO.		SHEET NO.		
30 OVER	± 0.3	MATERIAL NO.	SEE CHART		SD-505070-002		2 OF 3		
ANGULAR	± 1 °	DRAFT WHERE APPLICABLE MUST REMAIN WITHIN DIMENSIONS		SIZE A3	THIS DRAWING CONTAINS INFORMATION THAT IS PROPRIETARY TO MOLEX ELECTRONIC TECHNOLOGIES, LLC AND SHOULD NOT BE USED WITHOUT WRITTEN PERMISSION				



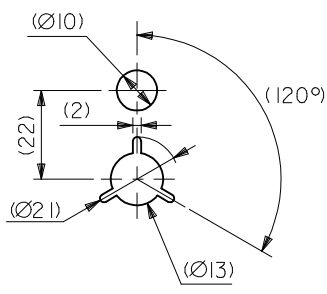
24	29.4	25.4	12.63	505070-6410	---	---	64		
			11.93	505070-6010	---	---	60		
			10.88	505070-5410	---	---	54		
			10.18	505070-5010	---	---	50		
			9.83	505070-4810	o	---	48		
			9.48	505070-4610	---	---	46		
			8.78	505070-4210	---	---	42		
			8.43	505070-4010	o	---	40		
7.38	505070-3410	o	---	34					
キャリアテープ幅 CARRIER TAPE WIDTH			C	B	(A)	MATERIAL No.	HIGH VOL. TOOL	LOW VOL. TOOL	CIRCUIT
SAMPLE PREPARATION									

SEE SHEET 1 OF 3 EC NO: J2016-09/41 DRWN: ISOMEYA 2016/03/07 CHKD: KTANAKA03 2016/03/08 APPR: KMORIKAWA 2016/03/08	GENERAL TOLERANCES (UNLESS SPECIFIED)		DIMENSION STYLE MM ONLY		SCALE 2:1	DESIGN UNITS METRIC	THIRD ANGLE PROJECTION		
	0.25 UNDER	± 0.03	DRAWN BY	DATE	TITLE				
	0.25 OVER 0.5 UNDER	± 0.05	KSASAKI	2014/03/10	0.35 BB CONN. H=0.6 SSB6 RP PLUG ASSY EMBSTP PKG				
	0.5 OVER 1.0 UNDER	± 0.1	CHECKED BY	DATE					
	1.0 OVER 10 UNDER	± 0.2	KTANAKA03	2014/03/10					
10 OVER 30 UNDER	± 0.25	APPROVED BY	DATE	DOCUMENT NO.		SHEET NO.			
30 OVER	± 0.3	KMORIKAWA	2014/08/01	SD-505070-002		3 OF 3			
ANGULAR ±1 °		MATERIAL NO.	SEE CHART						
DRAFT WHERE APPLICABLE MUST REMAIN WITHIN DIMENSIONS			SIZE A3	THIS DRAWING CONTAINS INFORMATION THAT IS PROPRIETARY TO MOLEX ELECTRONIC TECHNOLOGIES, LLC AND SHOULD NOT BE USED WITHOUT WRITTEN PERMISSION					



NOTES

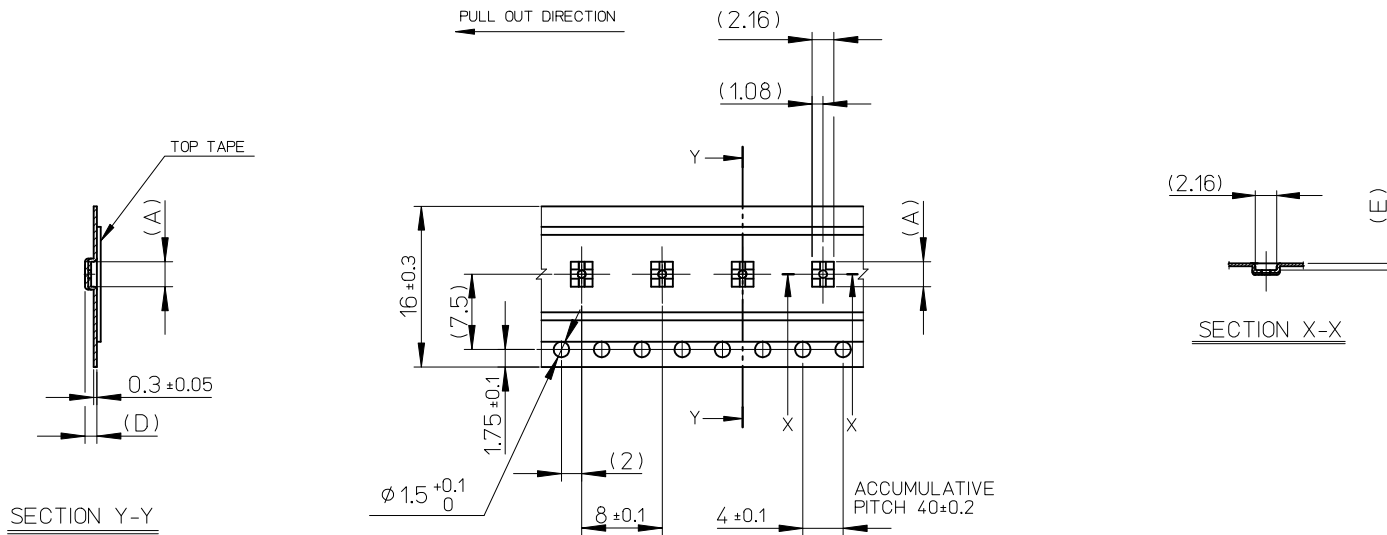
1. RE DETAILED DIMENSION, SEE PRODUCT DRAWING.
2. NUMBER OF CONNECTORS : 6000PCS/REEL
3. LEAD TAPE LENGTH
4. TOP TAPE PEEL FORCE IS DEFINED BY IEC60286-3.
5. MATERIAL
 CARRIER TAPE : POLYSTYRENE
 TOP TAPE : PET , OTHER
 REEL : POLYSTYRENE (PS) <RECYCLE MATERIAL CONTAINED>
6. ELV AND RoHS COMPLIANT



DETAIL "D"

REVISED EC NO: J2016-09/41 DRWN: TSOMEYA 2016/03/07 CHK'D: TANAKA03 2016/03/08 APPR: KMORIKAWA 2016/03/08	GENERAL TOLERANCES (UNLESS SPECIFIED)		DIMENSION STYLE		MODEL NO.	505070-**20
	0.25 UNDER ±0.03		MM ONLY		DESIGN UNITS	METRIC
	0.25 OVER 0.5 UNDER ±0.05		DRAWN BY DATE		THIRD ANGLE PROJECTION 0.35 BB CONN. H=0.6 SSB6 RP PLUG ASSY EMBSTP PKG molex	
	0.5 OVER 1.0 UNDER ±0.1		TSOMEYA 2015/02/05			
1.0 OVER 10 UNDER ±0.2		CHECKED BY DATE		DOCUMENT NO.	SD-505070-006	
10 OVER 30 UNDER ±0.25		KTANAKA03 2015/02/23		THIS DRAWING CONTAINS INFORMATION THAT IS PROPRIETARY TO MOLEX ELECTRONIC TECHNOLOGIES, LLC AND SHOULD NOT BE USED WITHOUT WRITTEN PERMISSION		
30 OVER ±0.3		APPROVED BY DATE				
ANGULAR ±1 °		KMORIKAWA 2015/02/24		SHEET NO.		
DRAFT WHERE APPLICABLE MUST REMAIN WITHIN DIMENSIONS		MATERIAL NO.		1 OF 3		
SIZE		SEE CHART				
A3						

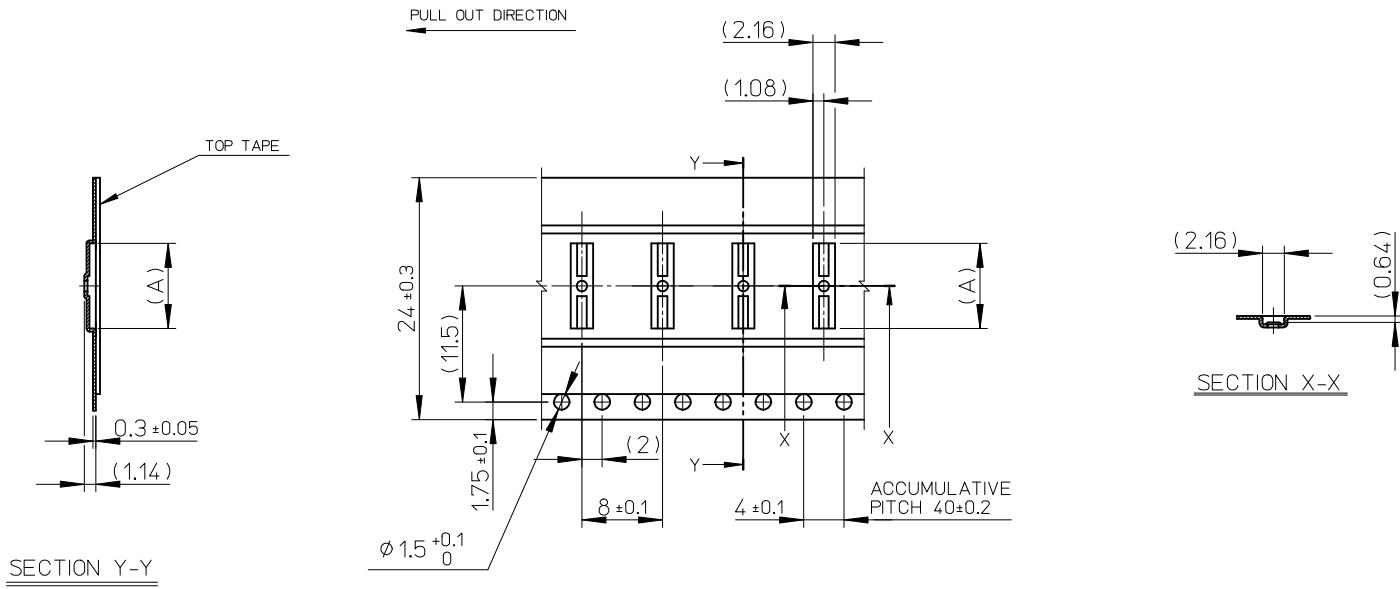
10 9 8 7 6 5 4 3 2 1



16	0.64	1.14	21.4	17.4	6.68	505070-3020	o	---	30	
					5.63	505070-2420	o	---	24	
					5.28	505070-2220	o	---	22	
					4.93	505070-2020	o	---	20	
					4.58	505070-1820	---	---	18	
					4.23	505070-1620	o	---	16	
					3.88	505070-1420	o	---	14	
					3.53	505070-1220	o	---	12	
					3.18	505070-1020	o	---	10	
					2.43	505070-0620	o	---	6	
キャリアテープ幅 CARRIER TAPE WIDTH		(D)	(C)	C	B	(A)	MATERIAL No.	HIGH VOL. TOOL	LOW VOL. TOOL	CIRCUIT

SEE SHEET 1 OF 3 EC NO: J2016-09/41 DRWN: TSOMEYA 2016/03/07 CHKD: TANAKA03 2016/03/08 APPR: KMORIKAWA 2016/03/08	GENERAL TOLERANCES (UNLESS SPECIFIED)		DIMENSION STYLE MM ONLY		SCALE 2:1	DESIGN UNITS METRIC	THIRD ANGLE PROJECTION	
	0.25 UNDER	± 0.03	DRAWN BY	DATE	TITLE			
	0.25 OVER 0.5 UNDER	± 0.05	TSOMEYA	2015/02/05	0.35 BB CONN. H=0.6 SSB6 RP PLUG ASSY EMBSTP PKG molex DOCUMENT NO. SD-505070-006 SHEET NO. 2 OF 3			
	0.5 OVER 1.0 UNDER	± 0.1	CHECKED BY	DATE				
	1.0 OVER 10 UNDER	± 0.2	TANAKA03	2015/02/23				
10 OVER 30 UNDER	± 0.25	APPROVED BY	DATE					
30 OVER	± 0.3	KMORIKAWA	2015/02/24					
ANGULAR	± 1 °	MATERIAL NO.						
DRAFT WHERE APPLICABLE MUST REMAIN WITHIN DIMENSIONS		SIZE A3	THIS DRAWING CONTAINS INFORMATION THAT IS PROPRIETARY TO MOLEX ELECTRONIC TECHNOLOGIES, LLC AND SHOULD NOT BE USED WITHOUT WRITTEN PERMISSION					

9 8 7 6 5 4 3 2 1



24	29.4	25.4	12.63	505070-6420	---	---	64		
			11.93	505070-6020	---	---	60		
			10.88	505070-5420	o	---	54		
			10.18	505070-5020	o	---	50		
			9.83	505070-4820	o	---	48		
			9.48	505070-4620	---	---	46		
			8.78	505070-4220	---	---	42		
			8.43	505070-4020	o	---	40		
7.38	505070-3420	o	---	34					
キャリアテープ幅 CARRIER TAPE WIDTH			C	B	(A)	MATERIAL No.	HIGH VOL. TOOL	LOW VOL. TOOL	CIRCUIT
SAMPLE PREPARATION									

SEE SHEET 1 OF 3 EC NO: J2016-09/41 DRWN: TSOMEYA 2016/03/07 CHKD: KTANAKA03 2016/03/08 APPR: KMORIKAWA 2016/03/08	GENERAL TOLERANCES (UNLESS SPECIFIED)		DIMENSION STYLE		SCALE	DESIGN UNITS	THIRD ANGLE PROJECTION		
	0.25 UNDER	± 0.03	MM ONLY		2:1	METRIC	CIRCUIT		
	0.25 OVER 0.5 UNDER	± 0.05	DRAWN BY DATE		TITLE				
	0.5 OVER 1.0 UNDER	± 0.1	TSOMEYA 2015/02/05		0.35 BB CONN. H=0.6 SSB6 RP PLUG ASSY EMBSTP PKG				
	1.0 OVER 10 UNDER	± 0.2	CHECKED BY DATE		DOCUMENT NO.				
10 OVER 30 UNDER	± 0.25	KTANAKA03 2015/02/23		SD-505070-006					
30 OVER	± 0.3	APPROVED BY DATE		SHEET NO.					
ANGULAR ±1 °		KMORIKAWA 2015/02/24		3 OF 3					
DRAFT WHERE APPLICABLE MUST REMAIN WITHIN DIMENSIONS		SIZE	THIS DRAWING CONTAINS INFORMATION THAT IS PROPRIETARY TO MOLEX ELECTRONIC TECHNOLOGIES, LLC AND SHOULD NOT BE USED WITHOUT WRITTEN PERMISSION						
		A3							