



Chipsmall Limited consists of a professional team with an average of over 10 year of expertise in the distribution of electronic components. Based in Hongkong, we have already established firm and mutual-benefit business relationships with customers from,Europe,America and south Asia,supplying obsolete and hard-to-find components to meet their specific needs.

With the principle of “Quality Parts,Customers Priority,Honest Operation,and Considerate Service”,our business mainly focus on the distribution of electronic components. Line cards we deal with include Microchip,ALPS,ROHM,Xilinx,Pulse,ON,Everlight and Freescale. Main products comprise IC,Modules,Potentiometer,IC Socket,Relay,Connector.Our parts cover such applications as commercial,industrial, and automotives areas.

We are looking forward to setting up business relationship with you and hope to provide you with the best service and solution. Let us make a better world for our industry!



Contact us

Tel: +86-755-8981 8866 Fax: +86-755-8427 6832

Email & Skype: info@chipsmall.com Web: www.chipsmall.com

Address: A1208, Overseas Decoration Building, #122 Zhenhua RD., Futian, Shenzhen, China



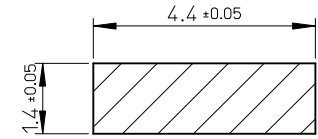
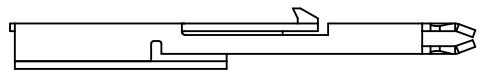
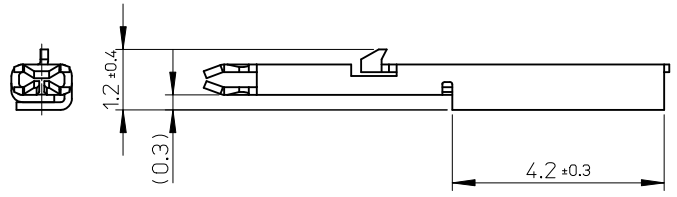
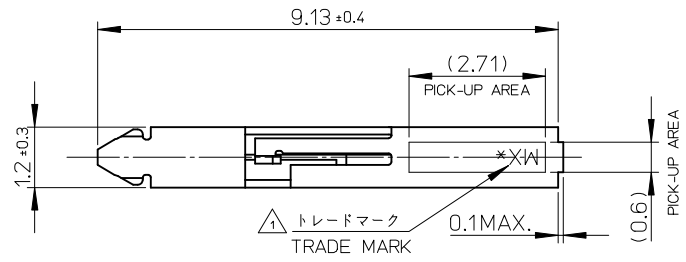
NOTES:

△ トレードマーク：MXプラス1文字の製造工場を示すアルファベットにて表示。
 但し、"J"はJAPANを示す。(例 MXJ)
 FORMED BY MX AND 1 MORE LETTER OF ALPHABET
 WHICH MEAN THE MANUFACTORY.
 BUT "J" MEANS JAPAN. (TO TRADE MARK)(e.g. MXJ)

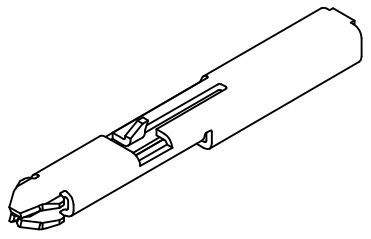
2. 嵌合相手:5050720100, 5050730100
 MATE WITH:5050720100, 5050730100

3. ELVおよびRoHS適合品
 ELV AND RoHS COMPLIANT.

△ ご使用される最大許容電圧に合わせ、電気用品安全法やIEC/EN規格などに則った浴面距離を確保してください。
 PLEASE SECURE THE CREEPAGE DISTANCE FOR INSULATION THAT FOLLOES
 THE IEC/EN STANDARD, etc. ACCORDING TO THE MAXIMUM RATED VOLTAGE USED.
 参考値:(EN61984参照時) REFERENCE:(REFER TO EN61984)
 定格電圧:125V ; 汚染度3 ; 材料グループⅢcの場合 RATED VOLTAGE:125V ;
 A=2.4MIN. POLLUTION DEGREE 3 ; material group Ⅲc
 A=2.4MIN.



基板参考パターン
 P.W.B. PATTERN DIMENSION (REFERENCE)

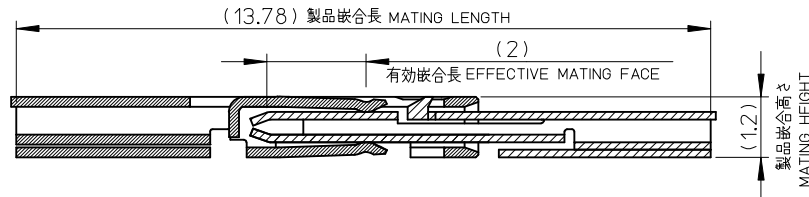


5050710101	505071
EMBOSSD TAPE PACKAGE	
オーダー番号 ORDER No.	CONNECTOR SERIES No.

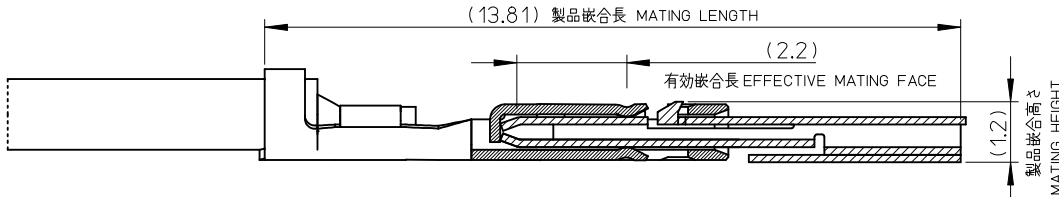
REVISED EC NO: J2015-0616 DRWN:HTONEGAWA 2014/11/06 CHKD:TNIITSU 2014/11/06 APPR:MYAGI 2014/11/07	DESCRIPTION A	GENERAL TOLERANCES (UNLESS SPECIFIED)		DIMENSION STYLE MM ONLY	SCALE 10:1	DESIGN UNITS METRIC	THIRD ANGLE PROJECTION	
		10 UNDER	± 0.2	DRAWN BY HTONEGAWA	DATE 2013/11/28	TITLE 1CKT. LED CONN. PLUG H=1.2		
		10 OVER 30 UNDER	± 0.25	CHECKED BY TNIITSU	DATE 2013/11/28			
		30 OVER	± 0.3	APPROVED BY MYAGI	DATE 2014/01/09			
ANGULAR ± 1 °		DRAFT WHERE APPLICABLE MUST REMAIN WITHIN DIMENSIONS		MATERIAL NO. SEE CHART	DOCUMENT NO. SD-505071-001		SHEET NO. 1 OF 2	
SIZE A3 THIS DRAWING CONTAINS INFORMATION THAT IS PROPRIETARY TO MOLEX INCORPORATED AND SHOULD NOT BE USED WITHOUT WRITTEN PERMISSION								

部品 PART	材質 MATERIAL ②
ターミナル TERMINAL	銅合金 PRE-TINNED COPPER ALLOY 錫メッキ TIN ニッケルメッキ(下地) NICKEL UNDER PLATING

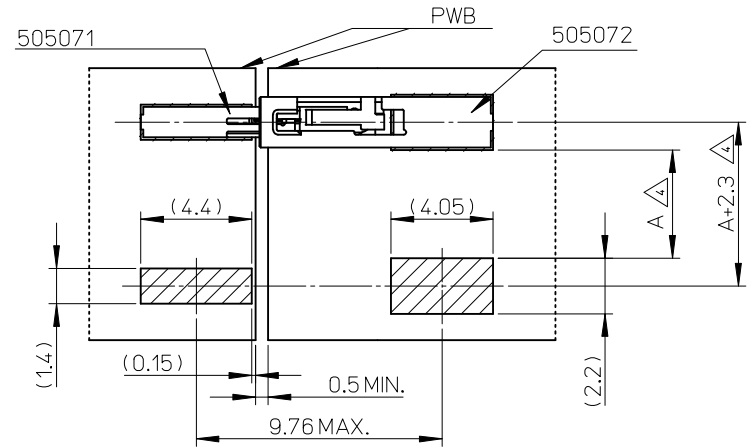
嵌合断面図 MATING CROSS SECTION



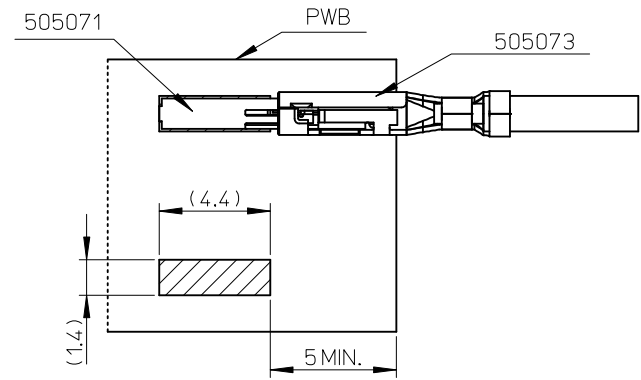
基板対基板: BOARD to BOARD TYPE (505072/505071) ②



電線対基板: WIRE to BOARD TYPE (505073/505071) ②



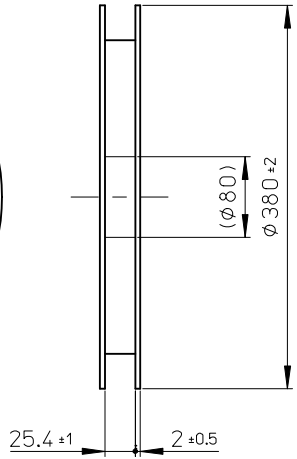
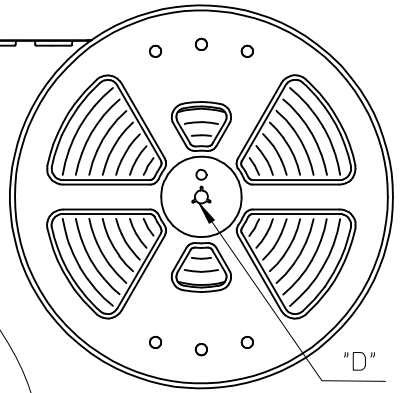
参考)基板パターン位置 (基板対基板: BB TYPE)
REFERENCE) P.W.B. PATTERN POSITION (BOARD to BOARD TYPE) ②



参考)基板パターン位置 (電線対基板: WB TYPE)
REFERENCE) P.W.B. PATTERN POSITION (WIRE to BOARD TYPE) ②

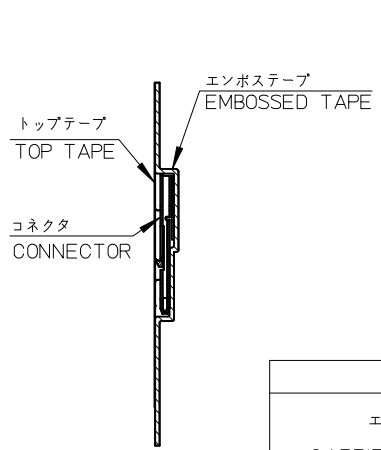
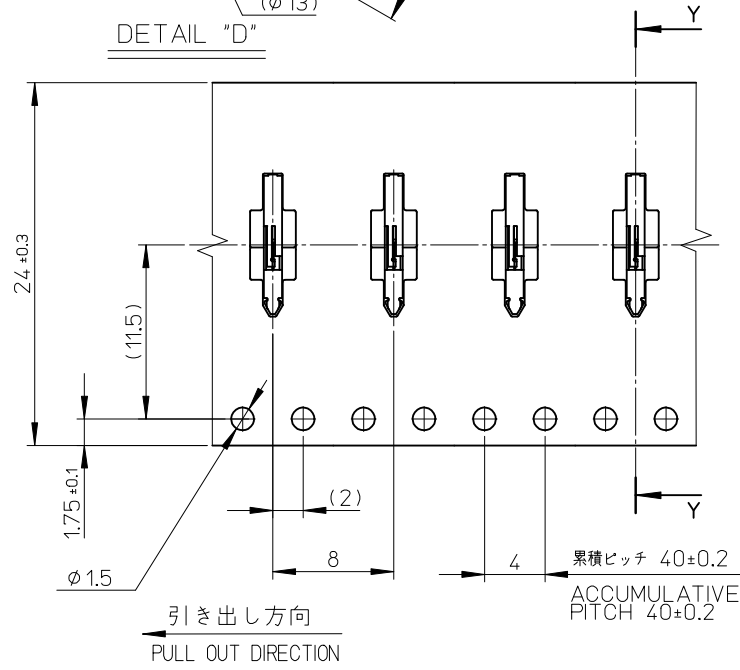
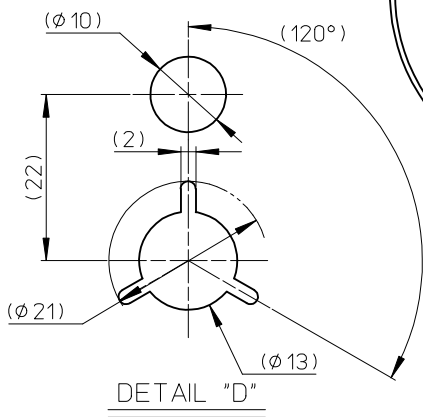
SEE SHEET1 EC NO: J2015-0616 DRWN:HTONEGAWA 2014/11/06 CHKD:TNIITSU 2014/11/06 APPR:MYAGI 2014/11/07	DESCRIPTION REV	QUALITY SYMBOLS	GENERAL TOLERANCES (UNLESS SPECIFIED)	DIMENSION STYLE MM ONLY	SCALE 4:1	DESIGN UNITS METRIC	THIRD ANGLE PROJECTION	
		<ul style="list-style-type: none"> ■ = 0 CRITICAL ⊠ = 0 MAJOR ▽ = 0 ZERO DEFECT ▽ = 0 S.P.C. 	DIMENSIONS ±0.1	DRAWN BY HTONEGAWA	DATE 2013/11/28	TITLE 1CKT. LED CONN. PLUG H=1.2		
			ANGULAR ±1 °	APPROVED BY MYAGI	DATE 2014/01/09	molex		
		DRAFT WHERE APPLICABLE MUST REMAIN WITHIN DIMENSIONS	SEE SHEET1		MATERIAL NO.			DOCUMENT NO. SD-505071-001
				THIS DRAWING CONTAINS INFORMATION THAT IS PROPRIETARY TO MOLEX INCORPORATED AND SHOULD NOT BE USED WITHOUT WRITTEN PERMISSION				

引き出し方向
PULL OUT DIRECTION



NOTES

- 製品詳細寸法については、SD図面を参照下さい。
THE DETAIL DIMENSION REFER TO SALES DRAWING.
- 梱包数量：7500 個/リール
NUMBER OF CONNECTORS：7500 PCS/REEL.
- リードテープ長さ LEAD TAPE LENGTH.
トップテープ接着部(空エンボス)
TOP TAPE BONDED PART.(EMPTY)
引き出し方向 PULL OUT DIRECTION
20PCS. MIN.
トップテープリーダー部 TOP TAPE LEADER PART 400 MIN.
部品挿入部 COMPONENT SUPPLIER
末端部(空部) TAIL PART (EMPTY) 350 MIN.
- トップテープの剥離強度：0.1N~1.3N(10.2gf~130gf) (剥離方向は下図参照) 尚、本規格値は出荷時に適用。(但し、輸送時に剥離が発生しないこと。)
PEEL FORCE OF TOP TAPE：0.1N~1.3N(10.2gf~130gf)
(PEEL DIRECTION AS SHOWN IN FOLLOWING FIG.)
THIS REQUIREMENT SHOULD BE APPLIED AT SHIPMENT.
PEEL OFF SHOULD NOT BE ALLOWED, DURING TRANSPORTATION.
剥離方向 PEEL OFF DIRECTION
10°
- 材料 MATERIAL
キャリアテープ (CARRIER TAPE)：ポリプロピレン (POLYPROPYLENE)
トップテープ (TOP TAPE)：PET, PE, PEF
リール (REEL)：ポリスチレン (PS)<リサイクル材含む>
POLYSTYRENE (PS)<RECYCLE MATERIAL CONTAINED>
- ELV 及びRoHS適合品
ELV AND RoHS COMPLIANT



24 mm	505071-0100	505071-0101	1
エンボステープ幅 CARRIER TAPE WIDTH	装着コネクタ CONNECTOR	EMBOSSSED TAPE PACKAGE オーダー番号 ORDER NO.	極数 CKT.
		CONNECTOR SERIES No.	505071-0***

REVISED EC NO: J2015-0616 DRWN:HTONEGAWA 2014/11/06 CHKD:TNIITSU 2014/11/06 APPR:MYAGI 2014/11/07	GENERAL TOLERANCES (UNLESS SPECIFIED)		DIMENSION STYLE MM ONLY		SCALE ----	DESIGN UNITS METRIC	THIRD ANGLE PROJECTION
	10 UNDER	±0.2	DRAWN BY HTONEGAWA	DATE 2013/11/29	TITLE 1CKT. LED CONN. PLUG H=1.2 EMBOSSSED TAPE PACKAGE		
	10 OVER 30 UNDER	±0.25	CHECKED BY TNIITSU	DATE 2013/11/29			
	30 OVER	±0.3	APPROVED BY MYAGI	DATE 2014/01/09			
ANGULAR	±1 °	MATERIAL NO. SEE CHART		DOCUMENT NO. SD-505071-002		SHEET NO. 1 OF 1	
DRAFT WHERE APPLICABLE MUST REMAIN WITHIN DIMENSIONS		THIS DRAWING CONTAINS INFORMATION THAT IS PROPRIETARY TO MOLEX INCORPORATED AND SHOULD NOT BE USED WITHOUT WRITTEN PERMISSION					