



Chipsmall Limited consists of a professional team with an average of over 10 year of expertise in the distribution of electronic components. Based in Hongkong, we have already established firm and mutual-benefit business relationships with customers from,Europe,America and south Asia,supplying obsolete and hard-to-find components to meet their specific needs.

With the principle of “Quality Parts,Customers Priority,Honest Operation,and Considerate Service”,our business mainly focus on the distribution of electronic components. Line cards we deal with include Microchip,ALPS,ROHM,Xilinx,Pulse,ON,Everlight and Freescale. Main products comprise IC,Modules,Potentiometer,IC Socket,Relay,Connector.Our parts cover such applications as commercial,industrial, and automotives areas.

We are looking forward to setting up business relationship with you and hope to provide you with the best service and solution. Let us make a better world for our industry!



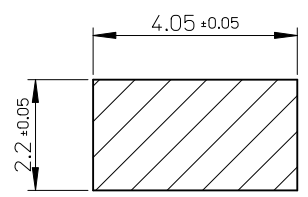
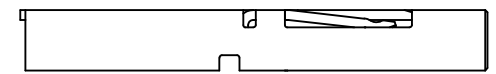
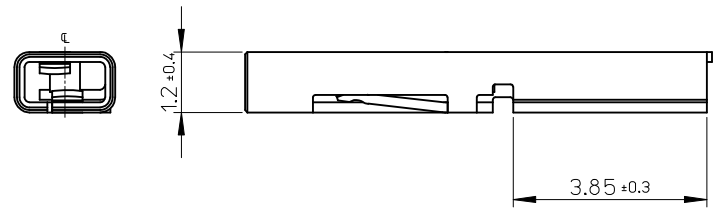
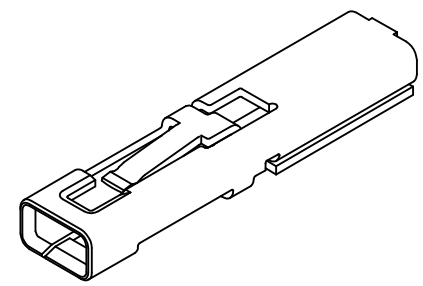
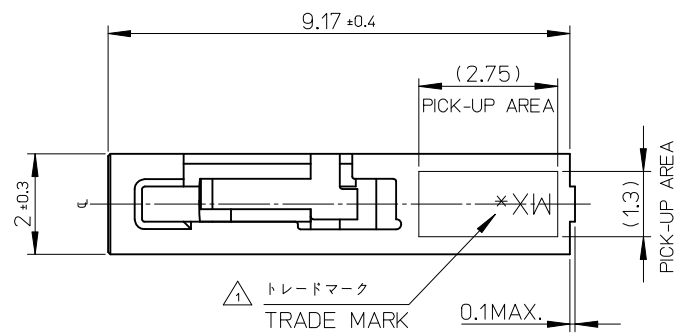
## Contact us

Tel: +86-755-8981 8866 Fax: +86-755-8427 6832

Email & Skype: info@chipsmall.com Web: www.chipsmall.com

Address: A1208, Overseas Decoration Building, #122 Zhenhua RD., Futian, Shenzhen, China





基板参考パターン  
P.W.B. PATTERN DIMENSION (REFERENCE)

NOTES:

① トレードマーク：MXプラス1文字の製造工場を示すアルファベットにて表示。  
但し、"J"はJAPANを示す。(例 MXJ)  
FORMED BY MX AND 1 MORE LETTER OF ALPHABET WHICH MEAN THE MANUFACTORY.  
BUT "J" MEANS JAPAN. (TO TRADE MARK)(e.g. MXJ)

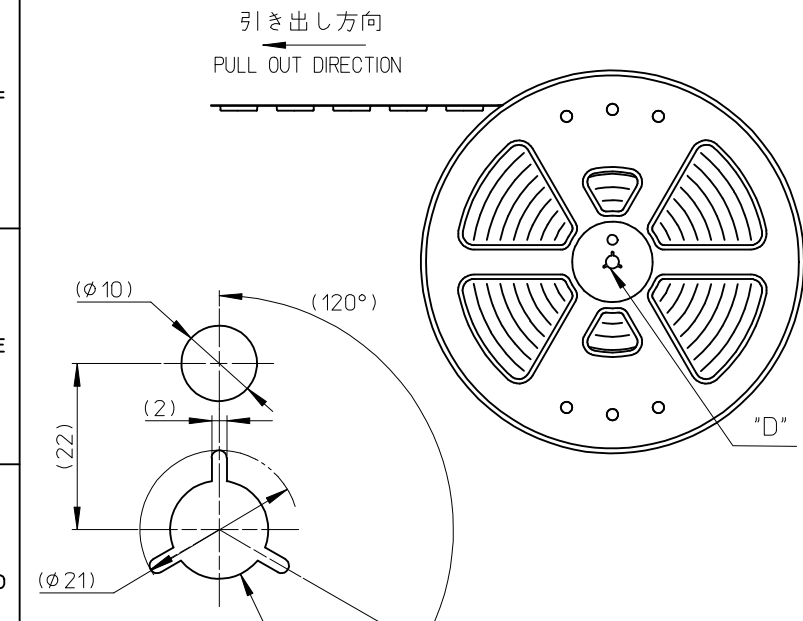
2. 嵌合相手：5050710100  
MATE WIT: 5050710100

3. ELVおよびRoHS適合品  
ELV AND RoHS COMPLIANT.

② 基板パターン位置につきましてはSD-505071-001をご参照願いたします。  
PLEASE REFER TO SD-505071-001 FOR THE P.W.B. PATTERN POSITION.

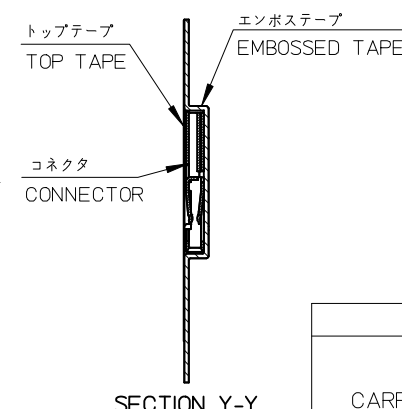
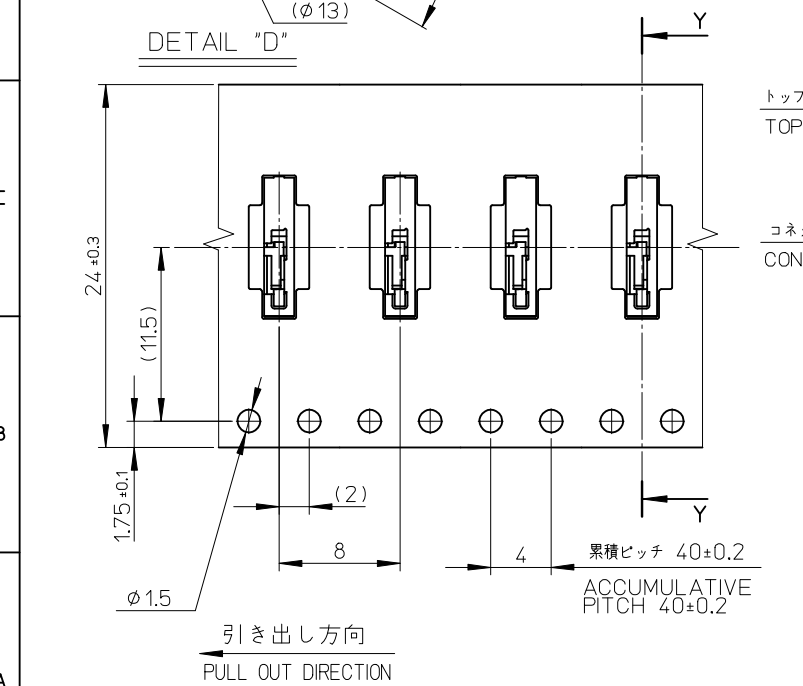
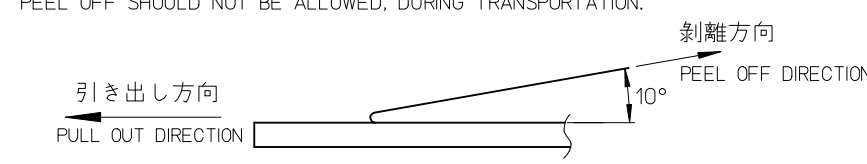
5050720101	505072
EMBOSSED TAPE PACKAGE	
オーダー番号 ORDER No.	CONNECTOR SERIES No.

部品 PART	材質 MATERIAL ②	REVISED EC NO: J2015-0616 DRWN:HTONEGAWA 2014/11/06 CHKD:TNIITSU 2014/11/06 APPR:MYAGI 2014/11/07	GENERAL TOLERANCES (UNLESS SPECIFIED)		DIMENSION STYLE MM ONLY		SCALE 10:1	DESIGN UNITS METRIC	THIRD ANGLE PROJECTION
			10 UNDER	±0.2	DRAWN BY HTONEGAWA	DATE 2013/10/31	TITLE 1CKT. LED CONN. BB RECEPTACLE H=1.2		
ターミナル TERMINAL	銅合金 PRE-TINNED COPPER ALLOY	A	10 OVER 30 UNDER	±0.25	CHECKED BY TNIITSU	DATE 2013/10/31			
	錫メッキ TIN		30 OVER	±0.3	APPROVED BY MYAGI	DATE 2014/01/09			
	ニッケルメッキ(下地) NICKEL UNDER PLATING		ANGULAR	±1 °	MATERIAL NO. SEE CHART		DOCUMENT NO. SD-505072-001	SHEET NO. 1 OF 1	
			DRAFT WHERE APPLICABLE MUST REMAIN WITHIN DIMENSIONS		THIS DRAWING CONTAINS INFORMATION THAT IS PROPRIETARY TO MOLEX INCORPORATED AND SHOULD NOT BE USED WITHOUT WRITTEN PERMISSION				



**NOTES**

- 製品詳細寸法については、SD図面を参照下さい。  
THE DETAIL DIMENSION REFER TO SALES DRAWING.
- 梱包数量：7500 個／リール  
NUMBER OF CONNECTORS：7500 PCS/REEL.
- リードテープ長さ LEAD TAPE LENGTH.  
トップテープ接着部(空エンボス)  
TOP TAPE BONDED PART.(EMPTY)  
引き出し方向 PULL OUT DIRECTION  
20PCS. MIN.  
トップテープリーダー部 TOP TAPE LEADER PART 400 MIN.  
部品挿入部 COMPONENT SUPPLIER  
末端部(空部) TAIL PART (EMPTY) 350 MIN.
- トップテープの剥離強度：0.1N~1.3N(10.2gf~130gf) (剥離方向は下図参照)  
尚、本規格値は出荷時に適用。(但し、輸送時に剥離が発生しないこと。)  
PEEL FORCE OF TOP TAPE：0.1N~1.3N(10.2gf-130gf)  
(PEEL DIRECTION AS SHOWN IN FOLLOWING FIG.)  
THIS REQUIREMENT SHOULD BE APPLIED AT SHIPMENT.  
PEEL OFF SHOULD NOT BE ALLOWED, DURING TRANSPORTATION.



24 mm	505072-0100	505072-0101	1
エンボステープ幅 CARRIER TAPE WIDTH	装着コネクタ CONNECTOR	EMBOSS TAPE PACKAGE オーダー番号 ORDER NO.	極数 CKT.
		CONNECTOR SERIES No.	505072-0***

REVISED EC NO: J2015-0616 DRWN:HTONEGAWA 2014/11/06 CHKD:TNIITSU 2014/11/06 APPR:MYAGI 2014/11/07	GENERAL TOLERANCES (UNLESS SPECIFIED)		DIMENSION STYLE MM ONLY	SCALE ----	DESIGN UNITS METRIC	THIRD ANGLE PROJECTION
	10 UNDER	±0.2	DRAWN BY HTONEGAWA	DATE 2013/11/29	TITLE 1CKT. LED CONN. BB RECEPTACLE H=1.2 EMBOSS TAPE PACKAGE	
	10 OVER 30 UNDER	±0.25	CHECKED BY TNIITSU	DATE 2013/11/29		
	30 OVER	±0.3	APPROVED BY MYAGI	DATE 2014/01/09		
ANGULAR	±1 °	MATERIAL NO. SEE CHART	DOCUMENT NO. SD-505072-002		SHEET NO. 1 OF 1	
DRAFT WHERE APPLICABLE MUST REMAIN WITHIN DIMENSIONS		SIZE A3	THIS DRAWING CONTAINS INFORMATION THAT IS PROPRIETARY TO MOLEX INCORPORATED AND SHOULD NOT BE USED WITHOUT WRITTEN PERMISSION			