



Chipsmall Limited consists of a professional team with an average of over 10 year of expertise in the distribution of electronic components. Based in Hongkong, we have already established firm and mutual-benefit business relationships with customers from,Europe,America and south Asia,supplying obsolete and hard-to-find components to meet their specific needs.

With the principle of “Quality Parts,Customers Priority,Honest Operation,and Considerate Service”,our business mainly focus on the distribution of electronic components. Line cards we deal with include Microchip,ALPS,ROHM,Xilinx,Pulse,ON,Everlight and Freescale. Main products comprise IC,Modules,Potentiometer,IC Socket,Relay,Connector.Our parts cover such applications as commercial,industrial, and automotives areas.

We are looking forward to setting up business relationship with you and hope to provide you with the best service and solution. Let us make a better world for our industry!



Contact us

Tel: +86-755-8981 8866 Fax: +86-755-8427 6832

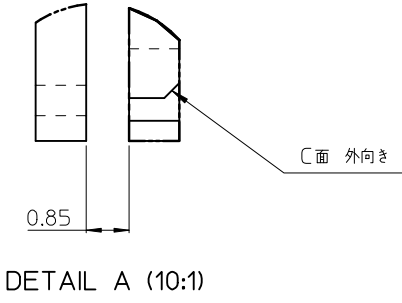
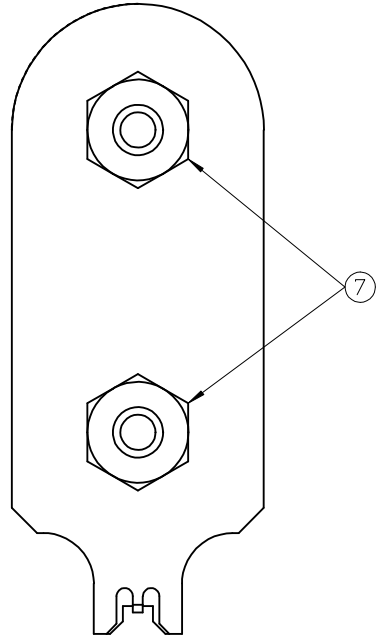
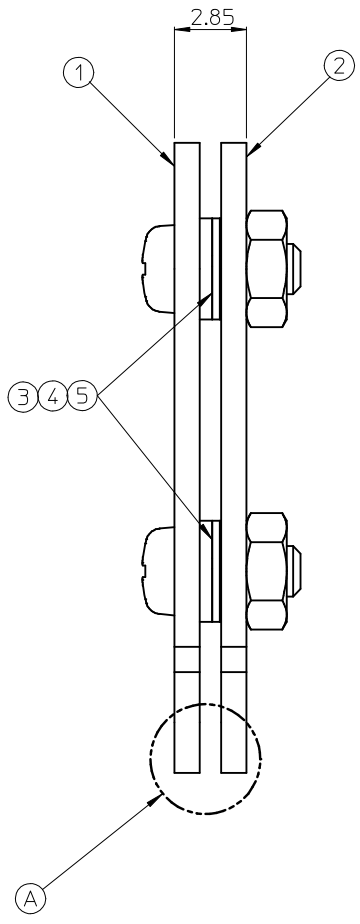
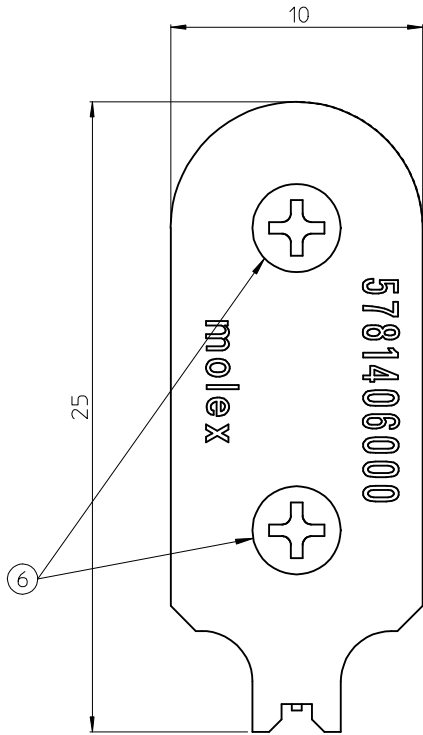
Email & Skype: info@chipsmall.com Web: www.chipsmall.com

Address: A1208, Overseas Decoration Building, #122 Zhenhua RD., Futian, Shenzhen, China



10 9 8 7 6 5 4 3 2 1

PARTS LIST				
No.	PART No.	QTY	PART NAME	DESCRIPTION
1	5781401601	1	GUIDE A	
2	5781401602	1	GUIDE B	
3	5781400601	2	SHIM	CIMRS4-2-0.05 (ミスミ)
4	5781400602	2	SHIM	CIMRS4-2-0.3 (ミスミ)
5	5781400603	2	SHIM	CIMRS4-2-0.5 (ミスミ)
6	5781400604	2	M2 L=5 ナベネジ	BKJ2-5 (ミスミ)
7	5781400605	2	M2 ナット	LBNR2 (ミスミ)
8				
9				
10				



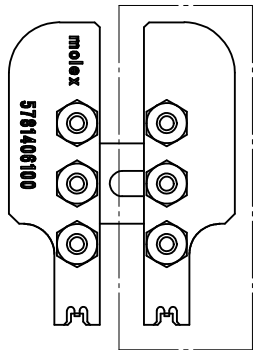
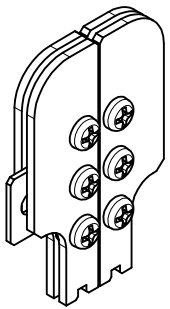
製作ロット数 : 10個

RELEASED
JT2014-0033
A
DRAWN BY: MOOSAWA
CHK BY: MOOSAWA
APPR BY: KUMEMOTO
REV. REL. DATE: 2014/05/21

※梱包は、個別梱包の事

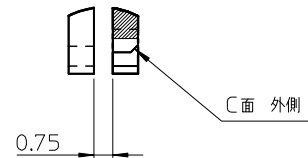
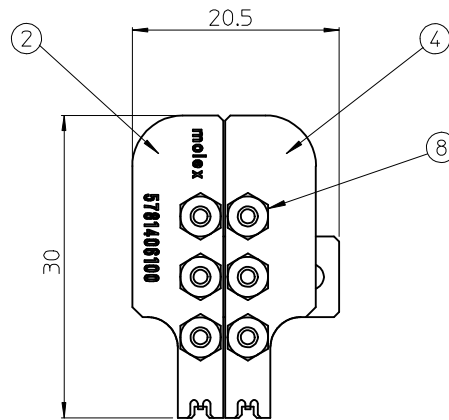
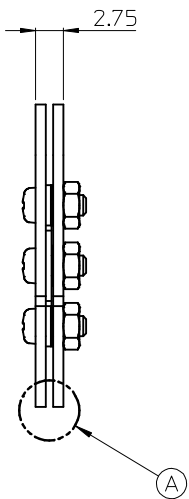
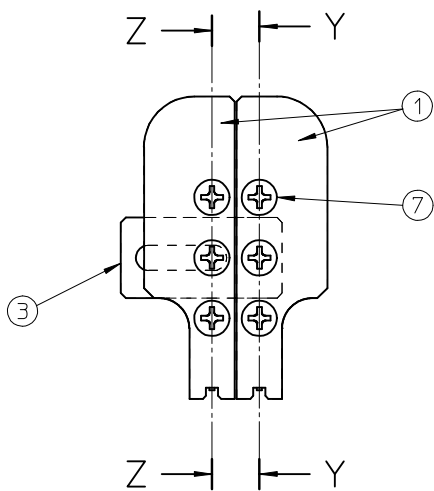
GENERAL TOLERANCES (UNLESS SPECIFIED) ANGULAR TOLERANCE ± 1°			DET. QTY.		molex	THIS DRAWING CONTAINS INFORMATION THAT IS PROPRIETARY TO MOLEX. INCORPORATED AND SHOULD NOT BE USED WITHOUT WRITTEN PERMISSION		
DESIGNED IN METRIC UNITS			MATERIAL			TITLE: LED EXTRACTION JIG W-B		
TOL'S	MM	INCH	DRAWN BY & DATE MOOSAWA 2014/05/12		REVISE ON CAD ONLY	SCALE: 5:1		
4 PLACES	±	±	CHECKED BY & DATE MOOSAWA		P/NO.			
3 PLACES	±0.005	±	APPROVED BY & DATE KUMEMOTO 2014/05/21		FILE TYPE SD_DRAWING	MATERIAL NO.	DESIGN FILE NO. 5781406000.jm	SERIES NO.
2 PLACES	±0.05	±	THIRD ANGLE PROJECTION		DRW SIZE A3	DOCUMENT NO. 5781406000	SEC.SHT. NO. 1 of 1	
1 PLACE	±0.1	±			TQCL LD.			

9 8 7 6 5 4 3 2 1



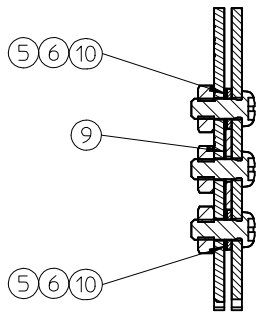
※スムーズに動く事

PARTS LIST				
No.	PART No.	QTY	PART NAME	DESCRIPTION
1	5781401611	2	GUIDE A	
2	5781401612	1	GUIDE B	
3	5781401613	1	GUIDE PLATE	
4	5781401614	1	GUIDE C	
5	5781400601	4	SHIM	CIMRS4-2-0.05 (ミスミ)
6	5781400603	4	SHIM	CIMRS4-2-0.5 (ミスミ)
7	5781400604	6	M2 L=5 ナベネジ	BKJ2-5 (ミスミ)
8	5781400605	6	M2 ナット	LBNR2 (ミスミ)
9	5781400611	2	SHIM	CIMRS4-2-0.1 (ミスミ)
10	5781400612	4	SHIM	CIMRS4-2-0.2 (ミスミ)

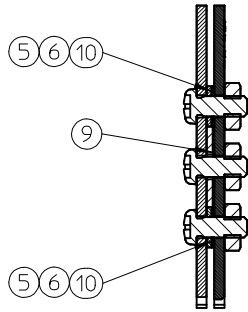


DETAIL A (5:1)

製作ロット数 : 10set



SECTION Z-Z

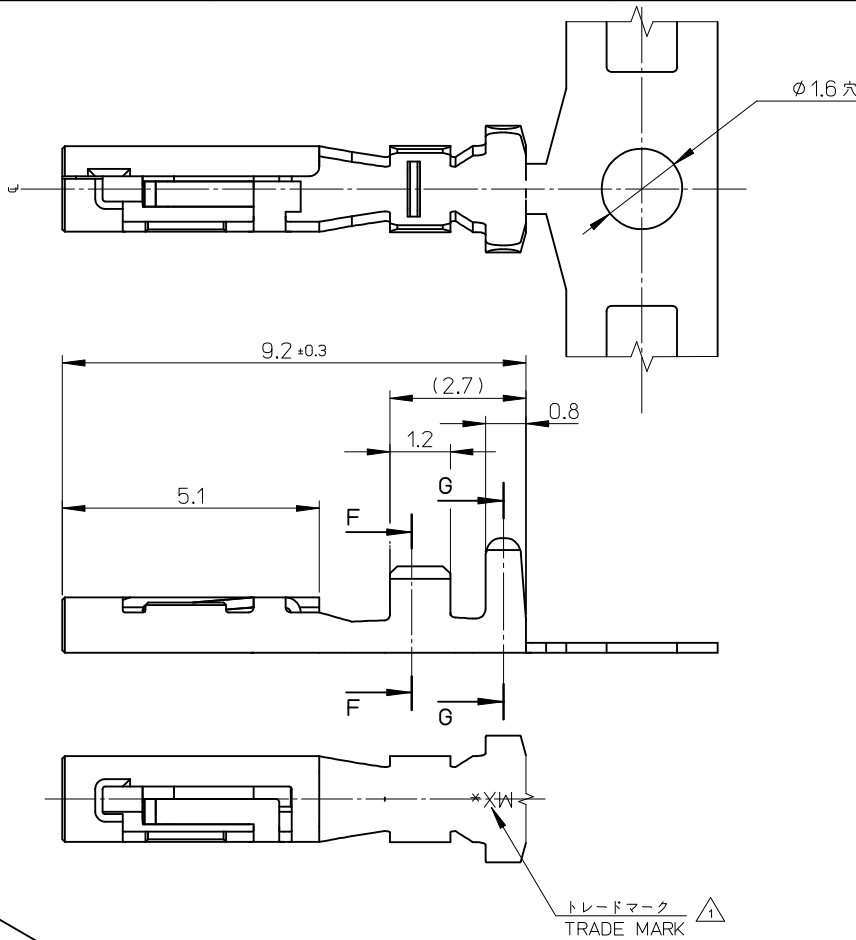


SECTION Y-Y

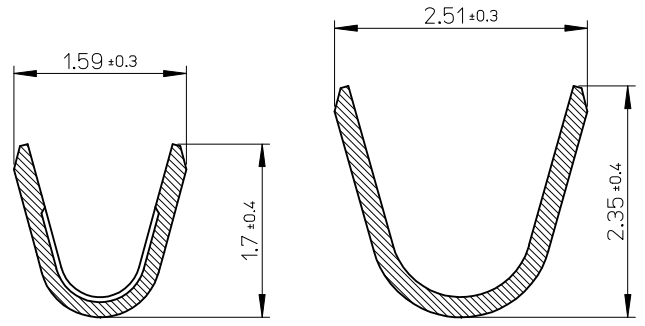
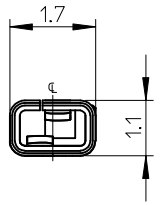
※梱包は個別梱包の事

A	RELEASED	JT2014-0033
	DRWN BY:	MOOSAWA
	CHK BY:	MOOSAWA
	APPR BY:	KUMEMOTO
REV.	REL. DATE:	2014/05/21

GENERAL TOLERANCES (UNLESS SPECIFIED)			DET. _____ QTY. _____		
ANGULAR TOLERANCE ± 1°			MATERIAL _____		
DESIGNED IN METRIC UNITS			FINISH _____		THIS DRAWING CONTAINS INFORMATION THAT IS PROPRIETARY TO MOLEX. INCORPORATED AND SHOULD NOT BE USED WITHOUT WRITTEN PERMISSION.
TOL'S			HEAT TREAT HRC _____		
4 PLACES	±	±	DRAWN BY & DATE MOOSAWA 2014/05/12	REVISION CAD ONLY	TITLE: LED EXTRACTION JIG B-B
3 PLACES	±0.005	±	CHECKED BY & DATE MOOSAWA	SCALE 2:1	
2 PLACES	±0.05	±	APPROVED BY & DATE KUMEMOTO 2014/05/21	FILE TYPE SD_DRAWING	MATERIAL NO. 5781406100
1 PLACE	±0.1	±	THIRD ANGLE PROJECTION	DRW SIZE A3	DESIGN FILE NO. 5781406100.jm
			TOL. LD. _____	DOCUMENT NO. 5781406100	SERIES NO. 1 of 1

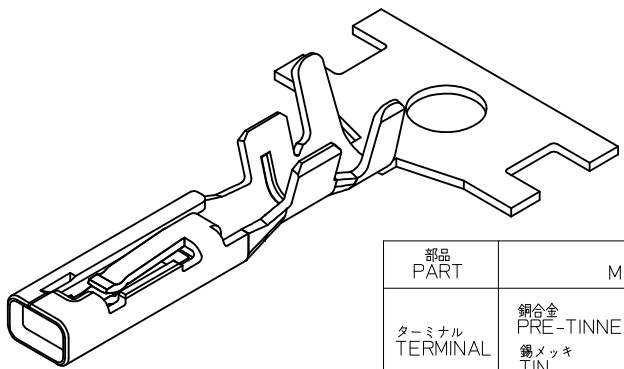


NOTES:
 1. トレードマーク：MXプラス1文字の製造工場を示すアルファベットにて表示。
 但し、"J"はJAPANを示す。(例 MXJ)
 FORMED BY MX AND 1 MORE LETTER OF ALPHABET
 WHICH MEAN THE MANUFACTORY.
 BUT "J" MEANS JAPAN. (TO TRADE MARK)(e.g. MXJ)
 2. 嵌合相手：5050710101
 MATE WITH: 5050710101
 3. ELVおよびRoHS適合品
 ELV AND RoHS COMPLIANT.



SECTION F-F
SCALE 20:1

SECTION G-G
SCALE 20:1



トレードマーク TRADE MARK

5050730100	バラ状 LOOSE	505073
5050731100	連鎖状 CHAIN	
オーダー番号 ORDER No.	端子形状 FORM	CONNECTOR SERIES No.

部品 PART	材質 ② MATERIAL
ターミナル TERMINAL	銅合金 PRE-TINNED COPPER ALLOY 錫メッキ TIN ニッケルメッキ(下地) NICKEL UNDER PLATING
適用電線範囲 WIRE RANGE	絶縁被覆外径 INSURATION RANGE
AWG:#22~#26 MM ² :0.126~0.34	φ0.9~φ1.7

REVISED EC NO.: J2015-1502 DRWN: TOKAMOTO02 2015/05/13 CHKD: AMIZUMURA 2015/05/15 APPR: MYAGI 2015/05/22	GENERAL TOLERANCES (UNLESS SPECIFIED)	
	0.25 UNDER	±0.03
	0.25 OVER 0.5 UNDER	±0.05
	0.5 OVER 1.0 UNDER	±0.1
	1.0 OVER 10 UNDER	±0.2
30 OVER	±0.25	
ANGULAR	±1 °	
DRAFT WHERE APPLICABLE MUST REMAIN WITHIN DIMENSIONS		

DIMENSION STYLE MM ONLY	
DRAWN BY HTONEGAWA	DATE 2013/10/31
CHECKED BY TNIITSU	DATE 2013/10/31
APPROVED BY MYAGI	DATE 2014/01/09
MATERIAL NO. SEE CHART	
SIZE A3	THIS DRAWING CONTAINS INFORMATION THAT IS PROPRIETARY TO MOLEX INCORPORATED AND SHOULD NOT BE USED WITHOUT WRITTEN PERMISSION

SCALE 10:1	DESIGN UNITS METRIC	THIRD ANGLE PROJECTION
TITLE 1CKT. LED CONN. W/B RECEPTACLE H=1.2		
DOCUMENT NO. SD-505073-001		SHEET NO. 1 OF 1