



Chipsmall Limited consists of a professional team with an average of over 10 year of expertise in the distribution of electronic components. Based in Hongkong, we have already established firm and mutual-benefit business relationships with customers from,Europe,America and south Asia,supplying obsolete and hard-to-find components to meet their specific needs.

With the principle of “Quality Parts,Customers Priority,Honest Operation,and Considerate Service”,our business mainly focus on the distribution of electronic components. Line cards we deal with include Microchip,ALPS,ROHM,Xilinx,Pulse,ON,Everlight and Freescale. Main products comprise IC,Modules,Potentiometer,IC Socket,Relay,Connector.Our parts cover such applications as commercial,industrial, and automotives areas.

We are looking forward to setting up business relationship with you and hope to provide you with the best service and solution. Let us make a better world for our industry!



Contact us

Tel: +86-755-8981 8866 Fax: +86-755-8427 6832

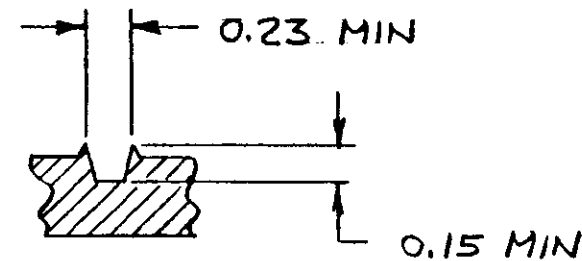
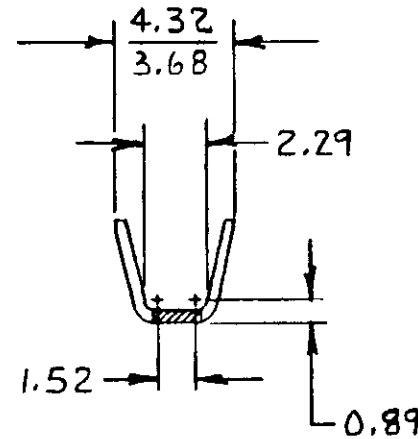
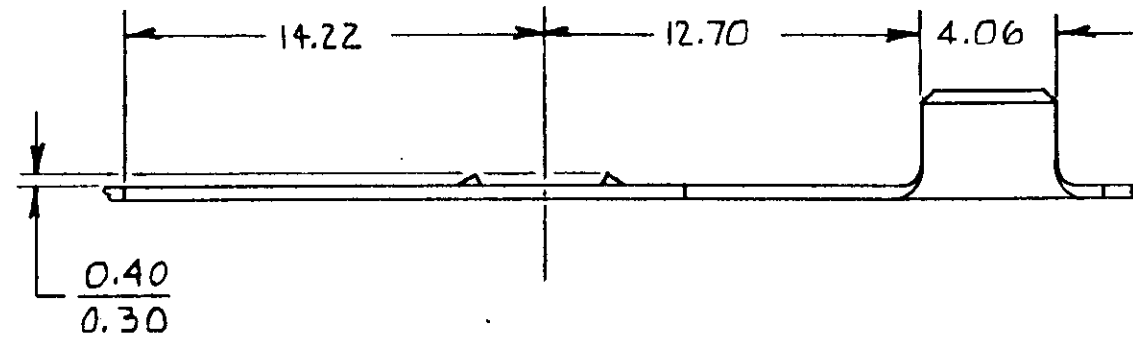
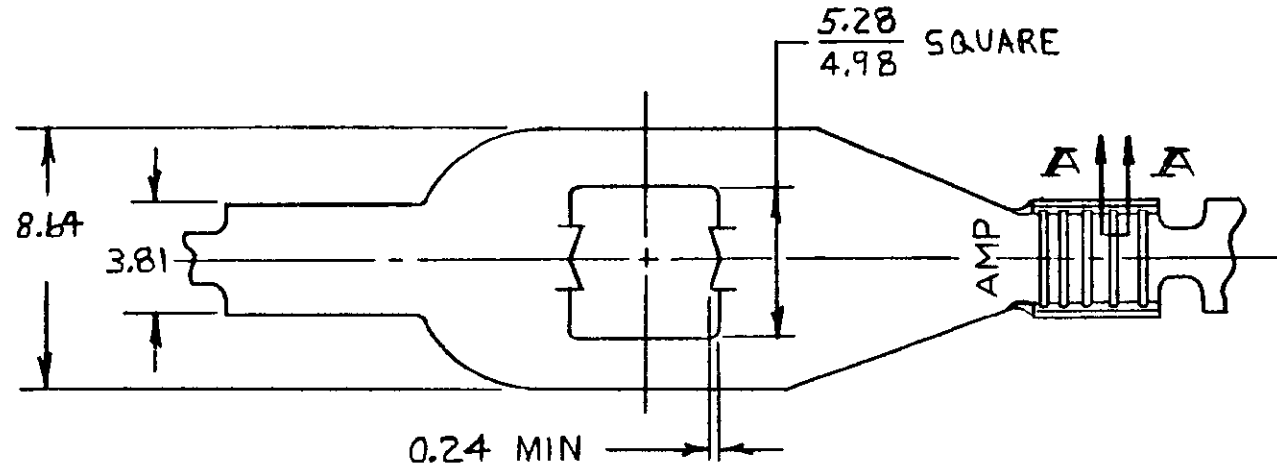
Email & Skype: info@chipsmall.com Web: www.chipsmall.com

Address: A1208, Overseas Decoration Building, #122 Zhenhua RD., Futian, Shenzhen, China



© COPYRIGHT 1981 BY AMP INCORPORATED, HARRISBURG, PA.
 ALL INTERNATIONAL RIGHTS RESERVED. AMP INCORPORATED PRODUCTS
 COVERED BY U. S. AND FOREIGN PATENTS AND/OR PATENTS PENDING.

REVISIONS						
P	F	ZONE	LTR	DESCRIPTION	DATE	APPROVED
✓	✓		0	RELEASE DRAWING PER M-6352	3-16-81	MSF/DH.
✓	✓		A	ADDED SECT. A-A, M-6405	4/23/81	DMS/DH.
✓			A1	RESTORATION	5-23-85	KS/SS
			B	REV PER 0710-0427-95	24/85	PMF



SECTION A-A
 TYP. SERRATION

METRIC

2600-4900 CMA	505079-1
WIRE RANGE	PART NO

UNLESS OTHERWISE SPECIFIED DIMENSIONS ARE IN <u>MM</u> . TOLERANCES ON: DECIMALS ±0.40 ANGLES ±1°	CONTRACT NO	AMP AMP INCORPORATED Harrisburg, Pa.	
	DR <i>m. Feeher 3-16-81</i>		
MATERIAL 0.50 BRASS	CHK <i>D.S. Heide 3/17/81</i>	NAME TERMINAL, STUD RETAINING, AMPLIVAR	
	APPD <i>[Signature]</i>	SIZE B	CODE IDENT NO 00779
FINISH	DSGN APPD	DRAWING NO 505079	
	OTHER APPD	SCALE	SHEET