



Chipsmall Limited consists of a professional team with an average of over 10 year of expertise in the distribution of electronic components. Based in Hongkong, we have already established firm and mutual-benefit business relationships with customers from,Europe,America and south Asia,supplying obsolete and hard-to-find components to meet their specific needs.

With the principle of “Quality Parts,Customers Priority,Honest Operation,and Considerate Service”,our business mainly focus on the distribution of electronic components. Line cards we deal with include Microchip,ALPS,ROHM,Xilinx,Pulse,ON,Everlight and Freescale. Main products comprise IC,Modules,Potentiometer,IC Socket,Relay,Connector.Our parts cover such applications as commercial,industrial, and automotives areas.

We are looking forward to setting up business relationship with you and hope to provide you with the best service and solution. Let us make a better world for our industry!



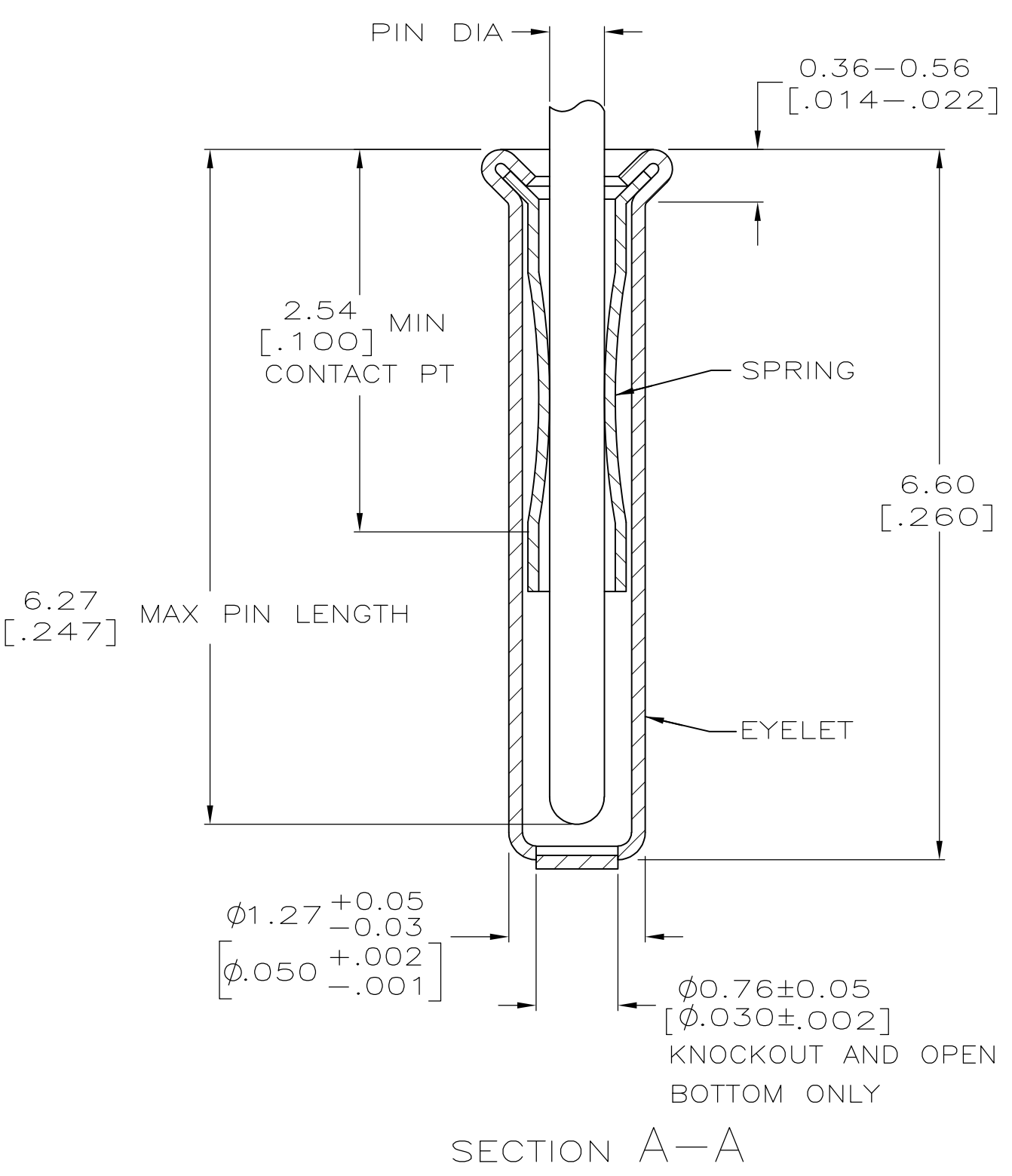
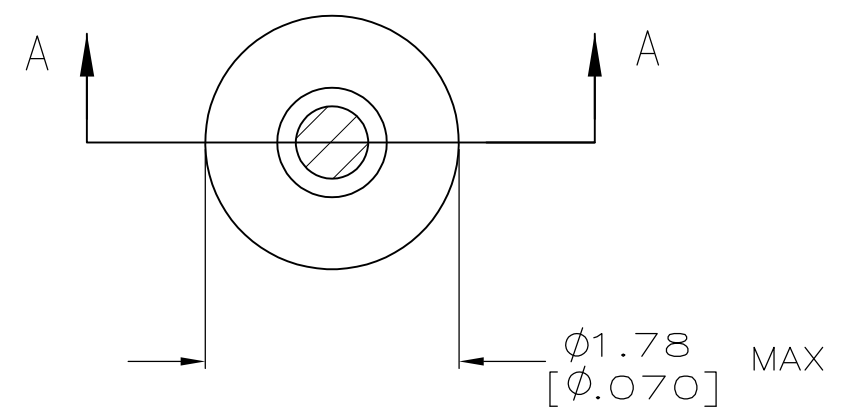
Contact us

Tel: +86-755-8981 8866 Fax: +86-755-8427 6832

Email & Skype: info@chipsmall.com Web: www.chipsmall.com

Address: A1208, Overseas Decoration Building, #122 Zhenhua RD., Futian, Shenzhen, China





- 1. TIN PLATE PER ASTM-B-545 0.00254 [.000100] MIN THK.
- 2. GOLD PLATE PER ASTM B 488, 0.00076 [.000030] MIN THK OVER NICKEL PER QQ-N-290 0.00028 [.000011] MIN THK ON CONTACT AREA.
- 3. GOLD FLASH PER ASTM B 488, 0.13 μm [.000005] MIN THICK, OVER NICKEL PLATE PER QQ-N-290 0.51 μm -1.52 μm [.000020-.000060] EXT THICK.
- 4. RECOMMENDED HOLE SIZE, PLATED OR UNPLATED:
 MACHINE INSERTION: $1.32^{+0.03}_{-0.05}$ [.052 $^{+.001}_{-.002}$]
 HAND INSERTION: $1.32^{+0.10}_{-0.00}$ [.052 $^{+.004}_{-.000}$]
- 5. APPLICATION TOOL PART NUMBER:
 MACHINE NO. 682127-3
 INSERTION HEAD NO. 682039-2
- 6. TO INSURE PROPER SPRING TENSION DO NOT EXCEED A 0.10 [.004] DIFFERENCE IN PIN DIA WHEN CHANGING TO A SMALLER PIN.
- 7. BOTTOM PLUG KNOCKOUT TOOL PART NUMBER 69729 WITH TIP PART NUMBER 69728.
- 8. SPRING: BERYLLIUM COPPER QQ-C-533
- 9. EYELET: COPPER, QQ-C-576
- 10. OBSOLETE PARTS: OBSOLETE CIS STREAMLINING PER D.RENAUD/D.SINISI

10 OBSOLETE	CLOSED KNOCKOUT	0.36-0.66 [.014-.026]	TIN 1	TIN 1	5050863-8
	OPEN				5050863-7
10 OBSOLETE	CLOSED KNOCKOUT	0.36-0.66 [.014-.026]	TIN 1	GOLD 2	5050863-6
	OPEN				5050863-5
	BOTTOM TYPE	RECOMMENDED PIN DIA 6	EYELET	SPRING	PART NO

THIS DRAWING IS A CONTROLLED DOCUMENT.		DWN J. ALCORTA - DOCK5	20APR2005	
DIMENSIONS: mm[INCHES]		CHK J. HAVENER	20APR2005	
TOLERANCES UNLESS OTHERWISE SPECIFIED:		APVD J. HAVENER	20APR2005	
0 PLC ± -	1 PLC ± -	NAME MINIATURE SPRING SOCKET ASSEMBLY SERIES 2		
2 PLC ± -	3 PLC ± 0.20 [.008]	PRODUCT SPEC 108-14008		
4 PLC ± -	ANGLES ± -	APPLICATION SPEC		
MATERIAL 8 9	FINISH SEE TABLE	WEIGHT -	SIZE A2	CAGE CODE 00779
CUSTOMER DRAWING		DRAWING NO G-5050863		RESTRICTED TO -
		SCALE 20:1	SHEET 1 of 1	REV P