



Chipsmall Limited consists of a professional team with an average of over 10 year of expertise in the distribution of electronic components. Based in Hongkong, we have already established firm and mutual-benefit business relationships with customers from,Europe,America and south Asia,supplying obsolete and hard-to-find components to meet their specific needs.

With the principle of “Quality Parts,Customers Priority,Honest Operation,and Considerate Service”,our business mainly focus on the distribution of electronic components. Line cards we deal with include Microchip,ALPS,ROHM,Xilinx,Pulse,ON,Everlight and Freescale. Main products comprise IC,Modules,Potentiometer,IC Socket,Relay,Connector.Our parts cover such applications as commercial,industrial, and automotives areas.

We are looking forward to setting up business relationship with you and hope to provide you with the best service and solution. Let us make a better world for our industry!



Contact us

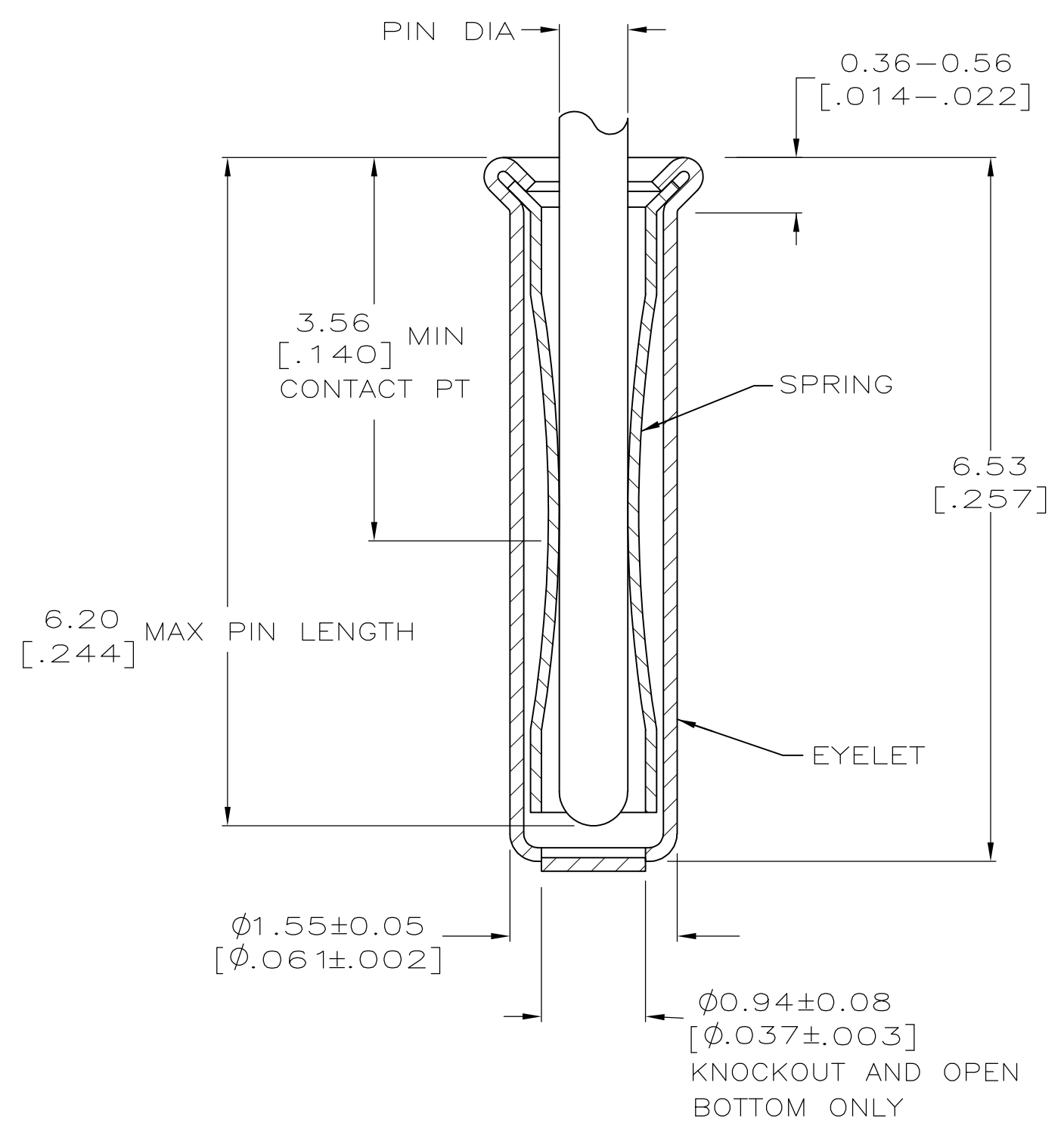
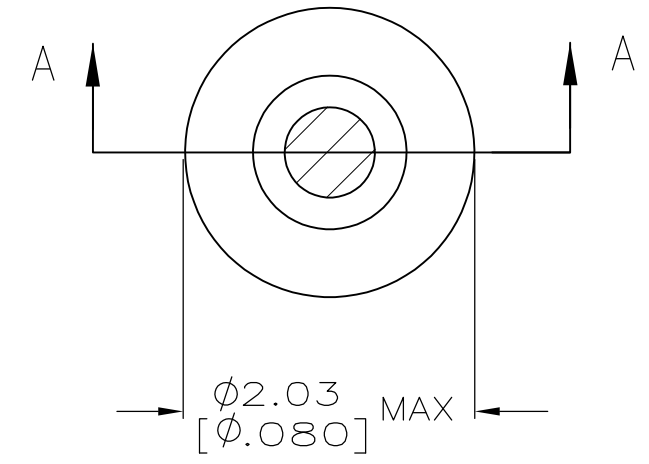
Tel: +86-755-8981 8866 Fax: +86-755-8427 6832

Email & Skype: info@chipsmall.com Web: www.chipsmall.com

Address: A1208, Overseas Decoration Building, #122 Zhenhua RD., Futian, Shenzhen, China



LOC	DIST	REVISIONS					
FT	64	P	LTR	DESCRIPTION	DATE	OWN	APVD
		P		REVISED PER ECO-11-004835	11MAR11	RK	HMR



SECTION A-A

- 1. TIN PLATE PER ASTM-B-545 0.00254 [.000100] MIN THK.
- 2. GOLD PER MIL-G-45204, TYPE II, 0.00076 [.000030] MIN THK OVER NICKEL PER QQ-N-290 0.00028 [.000011] MIN THK ON CONTACT AREA.
- 3. RECOMMENDED HOLE SIZE, PLATED OR UNPLATED:
 MACHINE INSERTION: $1.57 \begin{matrix} +0.10 \\ -0.08 \end{matrix} [\ .062 \begin{matrix} +.004 \\ -.003 \end{matrix}]$
 HAND INSERTION: $1.60 \begin{matrix} +0.10 \\ -0.00 \end{matrix} [\ .063 \begin{matrix} +.004 \\ -.000 \end{matrix}]$
- 4. APPLICATION TOOL PART NUMBER: MACHINE NO. 682127-4
 INSERTION HEAD NO. 682039-3
- 5. TO INSURE PROPER SPRING TENSION DO NOT EXCEED A 0.05 [.002] DIFFERENCE IN PIN DIA WHEN CHANGING TO A SMALLER PIN.
- 7. BOTTOM PLUG KNOCKOUT TOOL PART NUMBER 69729 WITH TIP PART NUMBER 69728-1.
- 5. SPRING: BERYLLIUM COPPER QQ-C-533
- 6. EYELET: COPPER QQ-C-576

OPEN	0.66-0.84 [.026-.033]	TIN	TIN	5050864-8
CLOSED		TIN	GOLD	5050864-6
OPEN				5050864-5
CLOSED				5050864-1
BOTTOM TYPE	RECOMMENDED PIN DIA	EYELET	SPRING	PART NO
		FINISH		

THIS DRAWING IS A CONTROLLED DOCUMENT.		DWN J. ALCORTA - DOCK5 04-20-05	STE TE Connectivity		
DIMENSIONS: mm[INCHES]		CHK J. HAVENER 04-20-05			
TOLERANCES UNLESS OTHERWISE SPECIFIED:		APVD J. HAVENER 04-20-05	NAME MINIATURE SPRING SOCKET ASSEMBLY SERIES 3		
0 PLC ± -		PRODUCT SPEC 108-14008	SIZE CAGE CODE DRAWING NO RESTRICTED TO		
1 PLC ± -		APPLICATION SPEC 114-26000	A2 00779	G-5050864	-
2 PLC ± -		FINISH SEE TABLE	WEIGHT -	SCALE 20:1	SHEET 1 of 1
3 PLC ± 0.20 [.008]			CUSTOMER DRAWING	REV P	
4 PLC ± - -					