



Chipsmall Limited consists of a professional team with an average of over 10 year of expertise in the distribution of electronic components. Based in Hongkong, we have already established firm and mutual-benefit business relationships with customers from,Europe,America and south Asia,supplying obsolete and hard-to-find components to meet their specific needs.

With the principle of "Quality Parts,Customers Priority,Honest Operation,and Considerate Service",our business mainly focus on the distribution of electronic components. Line cards we deal with include Microchip,ALPS,ROHM,Xilinx,Pulse,ON,Everlight and Freescale. Main products comprise IC,Modules,Potentiometer,IC Socket,Relay,Connector.Our parts cover such applications as commercial,industrial, and automotives areas.

We are looking forward to setting up business relationship with you and hope to provide you with the best service and solution. Let us make a better world for our industry!



## Contact us

Tel: +86-755-8981 8866 Fax: +86-755-8427 6832

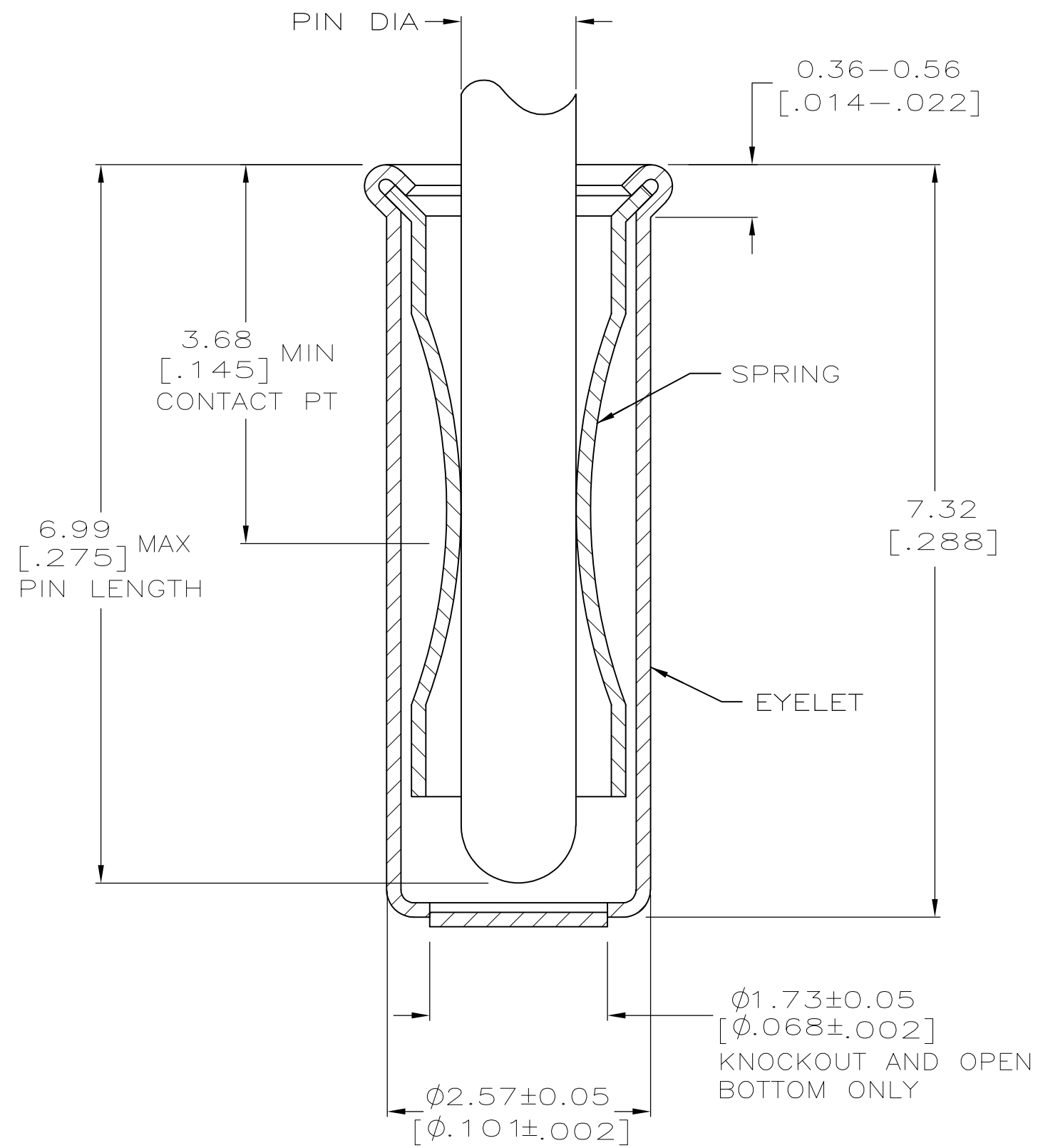
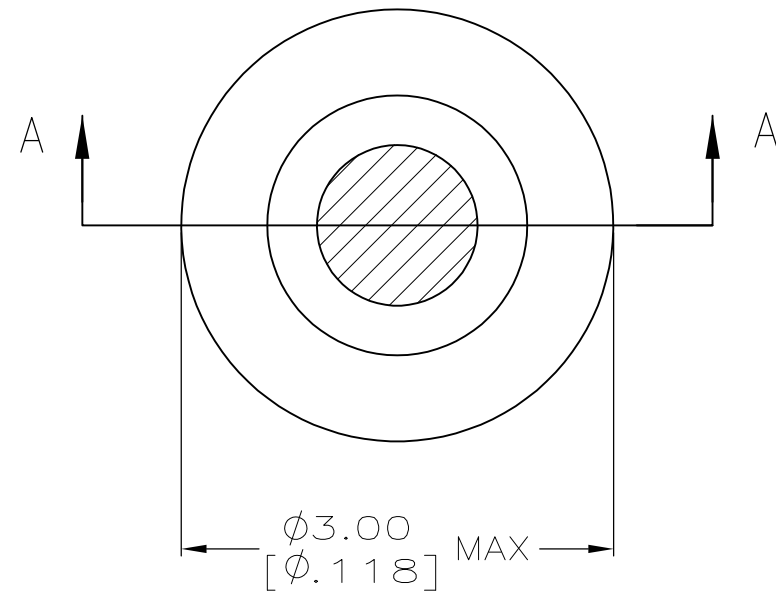
Email & Skype: info@chipsmall.com Web: www.chipsmall.com

Address: A1208, Overseas Decoration Building, #122 Zhenhua RD., Futian, Shenzhen, China



THIS DRAWING IS UNPUBLISHED. RELEASED FOR PUBLICATION  
 © COPYRIGHT - By - ALL RIGHTS RESERVED.

LOC	DIST	REVISIONS 11-11-94 RT		
GP	00	P	LTR	DESCRIPTION
		A2		REVISED PER ECO-11-004835
			DATE	OWN
			07MAR11	RK
			APVD	HMR



SECTION A-A

- 1. TIN PLATE PER ASTM B 545 .0.00254 [.000100] MIN THICK.
- 2. GOLD PER ASTM B 488, 0.00076 [.000030] MIN THICK OVER NICKEL PLATE PER QQ-N-290 0.00028 [.000011] MIN THICK ON CONTACT AREA.
- 3. RECOMMENDED HOLE SIZE, PLATED OR UNPLATED:  
 MACHINE INSERTION: 2.56±0.08 [.101±.003]  
 HAND INSERTION: 2.62<sup>+0.10</sup>/<sub>-0.00</sub> [.103<sup>+0.004</sup>/<sub>-.000</sub>]
- 4. APPLICATION TOOL PART NUMBER:  
 MACHINE NO. 682127-6  
 INSERTION HEAD NO. 682039-5
- 5. TO INSURE PROPER SPRING TENSION DO NOT EXCEED A 0.05 [.002] DIFFERENCE IN PIN DIA WHEN CHANGING TO A SMALLER PIN.
- 6. BOTTOM PLUG KNOCKOUT TOOL PART NUMBER 69729 WITH TIP PART NUMBER 69728-3.
- 7. MATERIAL: SPRING: BERYLLIUM COPPER PER ASTM B 194  
 EYELET: COPPER PER ASTM B 152
- 8. OBSOLETE PARTS: OBSOLETE CIS STREAMLINING PER D.RENAUD/D.SINISI

8 OBSOLETE	OPEN	1.42-1.65 [.056-.065]	TIN 1	TIN 1	2-5050871-4
	CLOSED KNOCKOUT			GOLD 2	2-5050871-3
	OPEN	1.27-1.45 [.050-.057]	TIN 1	TIN 1	2-5050871-1
	CLOSED			GOLD 2	1-5050871-9
	OPEN	1.07-1.24 [.042-.049]	TIN 1	TIN 1	1-5050871-0
	CLOSED			GOLD 2	5050871-8
	OPEN			TIN 1	5050871-6
	CLOSED			GOLD 2	5050871-5
	OPEN			TIN 1	5050871-1
	BOTTOM TYPE	RECOMMENDED PIN DIA 5		EYELET	SPRING
				FINISH	
				PART NO	

THIS DRAWING IS A CONTROLLED DOCUMENT.		DWN	20APR2005	J. ALCORTA - DOCK5	
DIMENSIONS: mm [INCHES]		CHK	20APR2005	J. HAVENER	
TOLERANCES UNLESS OTHERWISE SPECIFIED:		APVD	20APR2005	J. HAVENER	
0 PLC	± -	PRODUCT SPEC			
1 PLC	± -	APPLICATION SPEC			
2 PLC	± -	WEIGHT			
3 PLC	± 0.20 [.008]	CUSTOMER DRAWING			
4 PLC	± -	SCALE 20:1			
ANGLES	± -	SHEET 1 OF 1			
MATERIAL	SEE TABLE	FINISH		REV A2	

5050871

A