



Chipsmall Limited consists of a professional team with an average of over 10 year of expertise in the distribution of electronic components. Based in Hongkong, we have already established firm and mutual-benefit business relationships with customers from,Europe,America and south Asia,supplying obsolete and hard-to-find components to meet their specific needs.

With the principle of “Quality Parts,Customers Priority,Honest Operation,and Considerate Service”,our business mainly focus on the distribution of electronic components. Line cards we deal with include Microchip,ALPS,ROHM,Xilinx,Pulse,ON,Everlight and Freescale. Main products comprise IC,Modules,Potentiometer,IC Socket,Relay,Connector.Our parts cover such applications as commercial,industrial, and automotives areas.

We are looking forward to setting up business relationship with you and hope to provide you with the best service and solution. Let us make a better world for our industry!



## Contact us

Tel: +86-755-8981 8866 Fax: +86-755-8427 6832

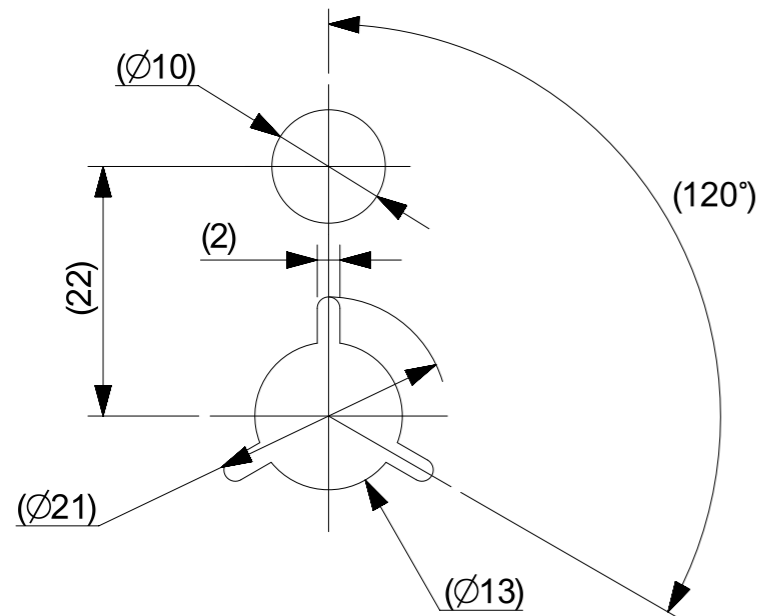
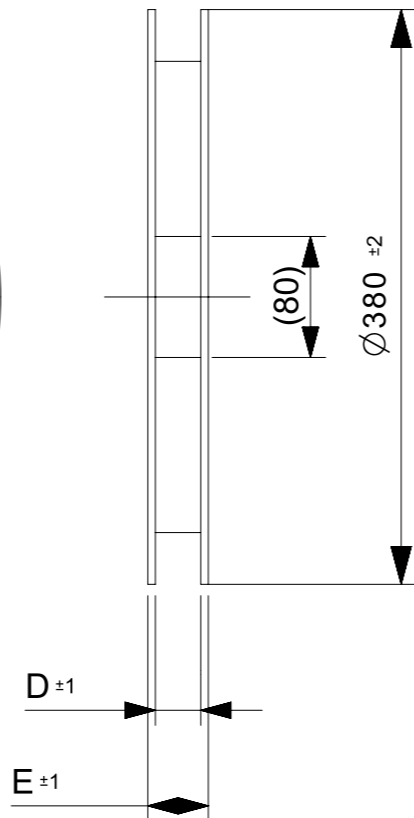
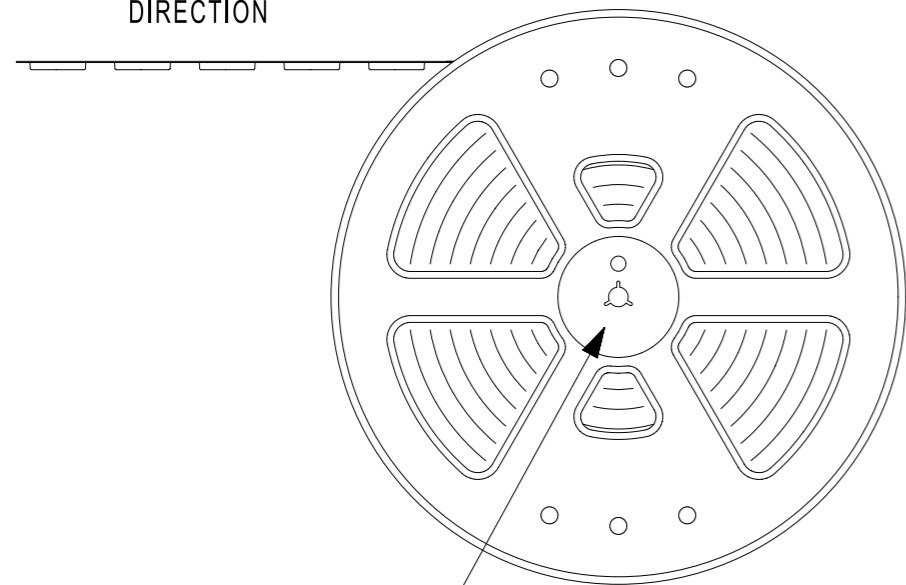
Email & Skype: info@chipsmall.com Web: www.chipsmall.com

Address: A1208, Overseas Decoration Building, #122 Zhenhua RD., Futian, Shenzhen, China



引き出し方向

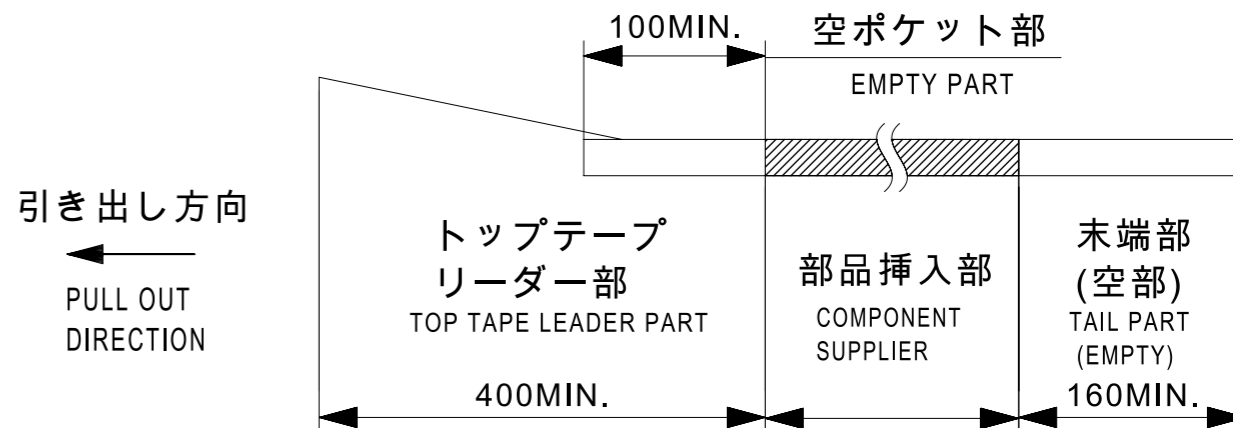
PULL OUT  
DIRECTION



DETAIL "E"

NOTES

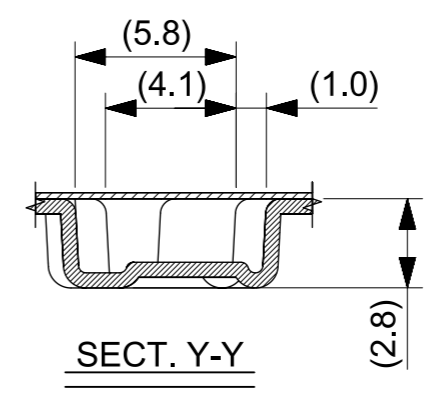
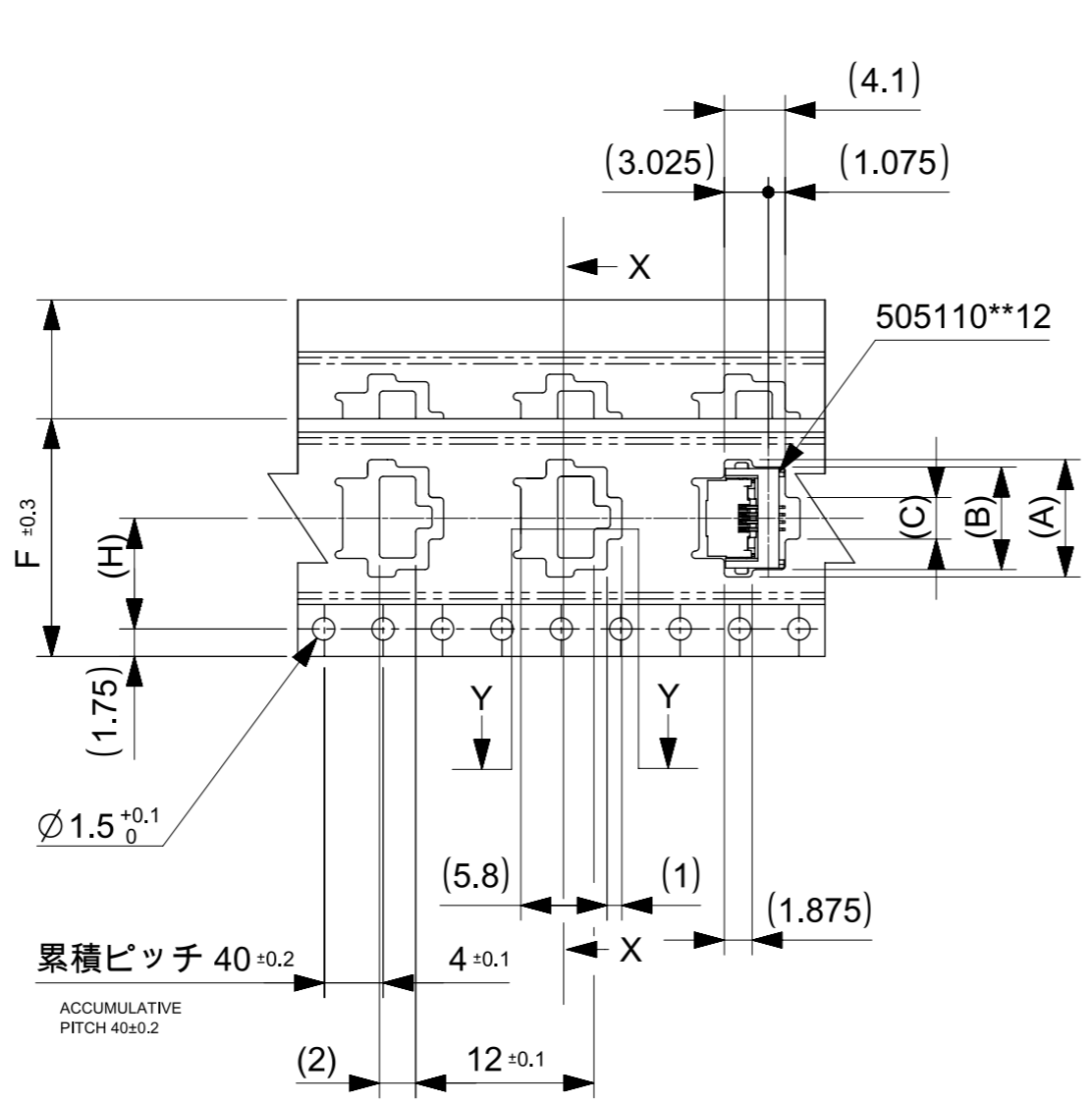
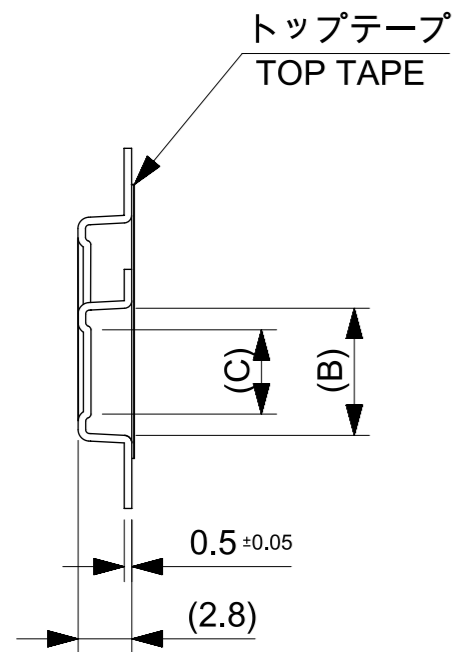
- 梱包数量 : 3000個 / リール  
NUMBER OF CONNECTORS : 3000 PCS/REEL.
- リードテープ長さ  
LEAD TAPE LENGTH



- カバーテープの剥離強度については、IEC60286-3に準拠。  
COVER TAPE PEEL FORCE IS DEFINED BY IEC 60286-3.
- 製品詳細寸法については、図面 5051101001-000を参照下さい。  
FOR DIMENSIONS OF PRODUCT, REFER TO 5051101001-000.
- 材料 MATERIAL  
キャリアテープ : ポリスチレン  
CARRIER TAPE : POLYSTYRENE  
トップテープ : ポリエチレンテレフタレート、ポリエチレン  
TOP TAPE : POLYETHYLENE TEREPHTHALATE, POLYETHYLENE  
リール : ポリスチレン<リサイクル材を含む>  
REEL : POLYSTYRENE <RECYCLE MATERIAL CONTAINED >
- ELV及びRoHS適合品 ELV AND RoHS COMPLIANT.

THIS DRAWING CONTAINS INFORMATION THAT IS PROPRIETARY TO MOLEX INCORPORATED AND SHOULD NOT BE USED WITHOUT WRITTEN PERMISSION											
EC DESCRIPTION EC NO: 100528 DRWN: NKONDO CHK'D: KTAKAHASHI APPR: KIMORIKAWA	2015/06/30	2015/06/30	2015/06/30	QUALITY SYMBOLS ▽ = 0 ▽ = 0 ▽ = 0 ▼ = 0 ▽ = 0 ☒ = 0 ■ = 0 ▽ = 0	GENERAL TOLERANCES (UNLESS SPECIFIED)		DIMENSION UNITS	SCALE			
	ANGULAR TOL ± 1.0 °		MM		2:1	DRWN BY: FSATO DATE: 2015/04/30 CHK'D BY: KTAKAHASHI DATE: 2015/06/30 APPR BY:					
	4 PLACES ± 0.05										
	3 PLACES ± 0.1										
2 PLACES ± 0.2		DRAFT WHERE APPLICABLE MUST REMAIN WITHIN DIMENSIONS		DRAWING SIZE		THIRD ANGLE PROJECTION	PRODUCT CUSTOMER DRAWING				
1 PLACE ± 0.2		A3		SERIES		MATERIAL NUMBER		CUSTOMER			
0 PLACES ± 0.2		A3		505110		SEE SHEET 2		GENERAL			
A		REV		DOCUMENT NUMBER		DOC TYPE		DOC PART		SHEET NUMBER	
				5051100001		PSD		000		1 OF 2	

引き出し方向  
PULL OUT  
DIRECTION

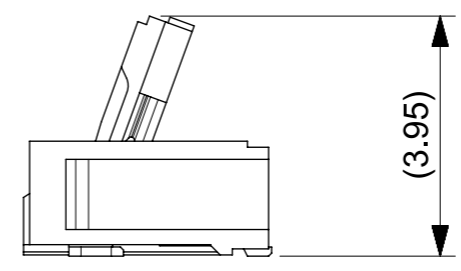
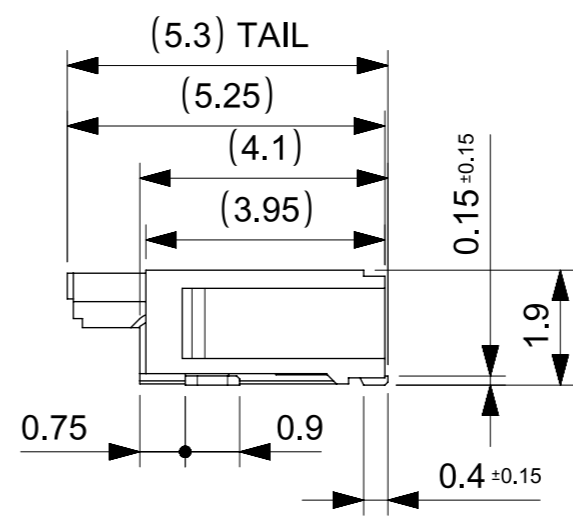
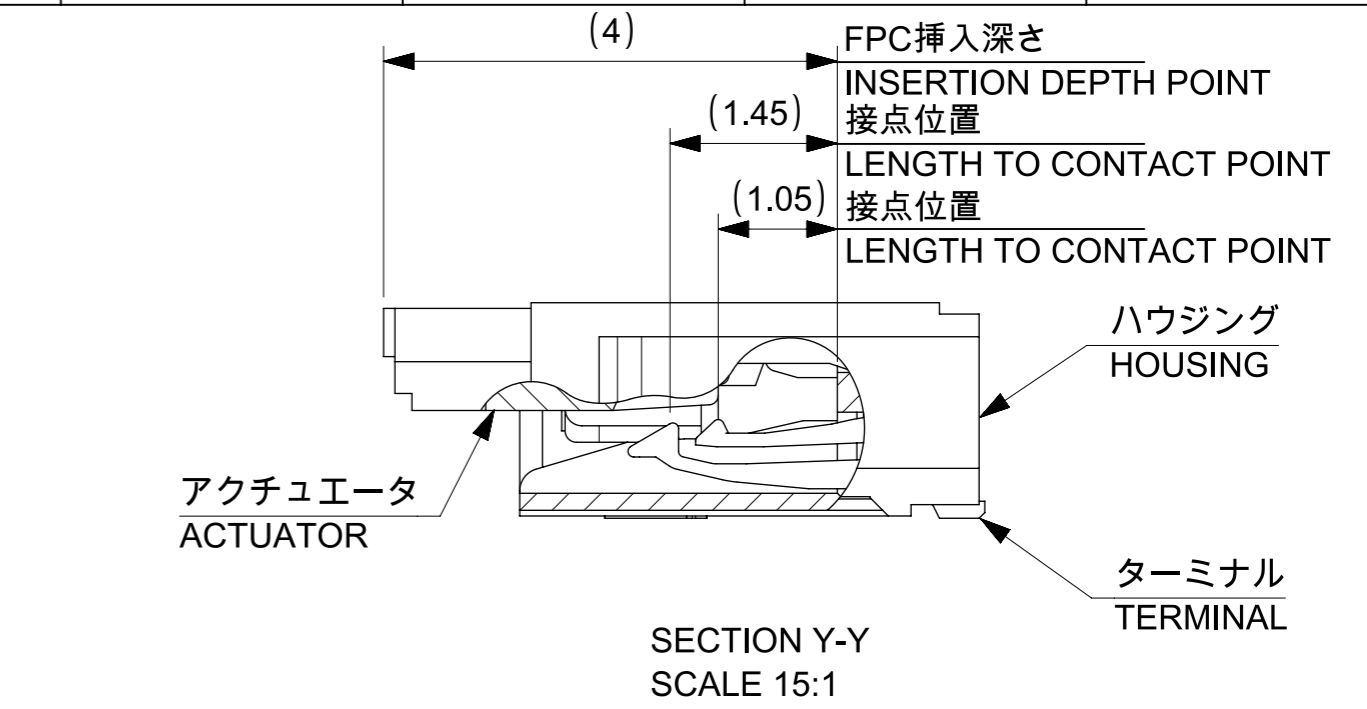
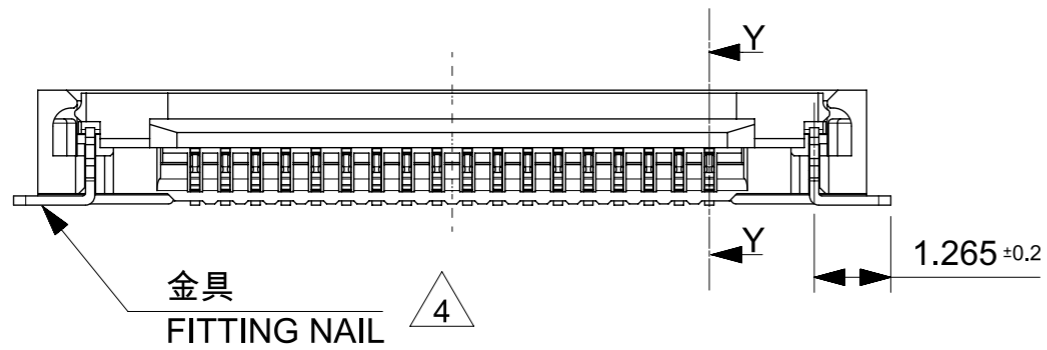
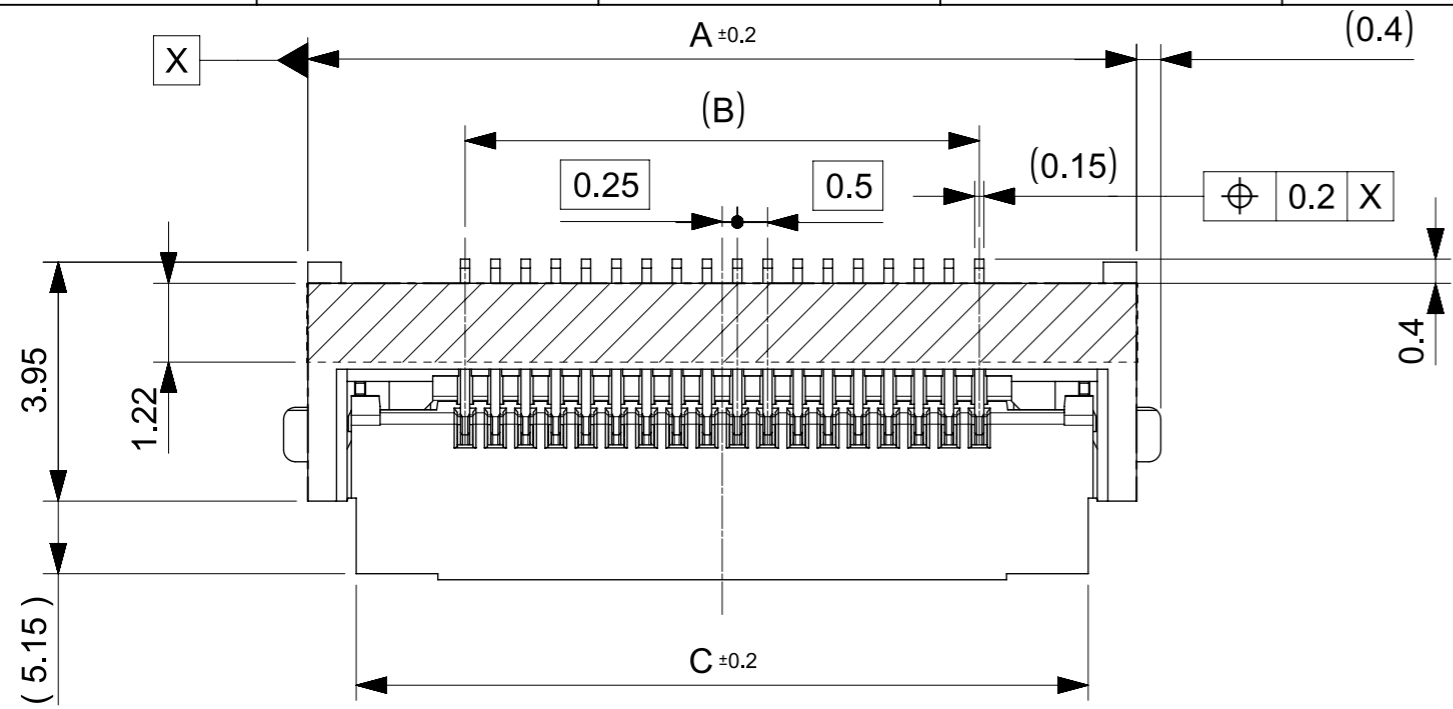


11.5	24	29.4	25.4	10.4	14.4	15.5	5051101992	19
				9.9	13.9	15.0	5051101892	18
				9.4	13.4	14.5	5051101792	17
				8.9	12.9	14.0	5051101692	16
				8.4	12.4	13.5	5051101592	15
				7.9	11.9	13.0	5051101492	14
				7.4	11.4	12.5	5051101392	13
				6.9	10.9	12.0	5051101292	12
				6.4	10.4	11.5	5051101192	11
				5.9	9.9	11.0	5051101092	10
				5.4	9.4	10.5	5051100992	9
				4.9	8.9	10.0	5051100892	8
				4.4	8.4	9.5	5051100792	7
3.9	7.9	9.0	5051100692	6				
3.4	7.4	8.5	5051100592	5				
7.5	16	21.4	17.4	2.9	6.9	8.0	5051100492	4
H	F	E	D	C	B	A	EMBOSSED PACKAGE	Ckt
							オーダー番号 ORDER NO.	

CONNECTOR NO. 505110\*\*12

THIS DRAWING CONTAINS INFORMATION THAT IS PROPRIETARY TO MOLEX INCORPORATED AND SHOULD NOT BE USED WITHOUT WRITTEN PERMISSION

EC NO: 100528 DRWN: NKONDO CHK'D: KTAKAHASHI APPR: KIMORIKAWA	2015/06/30	2015/06/30	2015/06/30	QUALITY SYMBOLS ≡ = 0 ≡ = 0 ≡ = 0 ▼ = 0 ∇ = 0 ⊠ = 0 ■ = 0 ▽ = 0	GENERAL TOLERANCES (UNLESS SPECIFIED) ANGULAR TOL ± 1.0 ° 4 PLACES ± 0.05 3 PLACES ± 0.1 2 PLACES ± 0.2 1 PLACE ± 0.2 0 PLACES ± 0.2 DRAFT WHERE APPLICABLE MUST REMAIN WITHIN DIMENSIONS	DIMENSION UNITS	SCALE	
	MM		2:1					
	DRWN BY	DATE						
	FSATO	2015/04/30						
	CHK'D BY	DATE						
KTAKAHASHI	2015/06/30							
APPR BY	DATE		PRODUCT CUSTOMER DRAWING SERIES: 505110 MATERIAL NUMBER: SEE CHART CUSTOMER: GENERAL DOCUMENT NUMBER: 5051100001 DOC TYPE: PSD DOC PART: 000 SHEET NUMBER: 2 OF 2					
DRAWING SIZE		THIRD ANGLE PROJECTION						
A3								

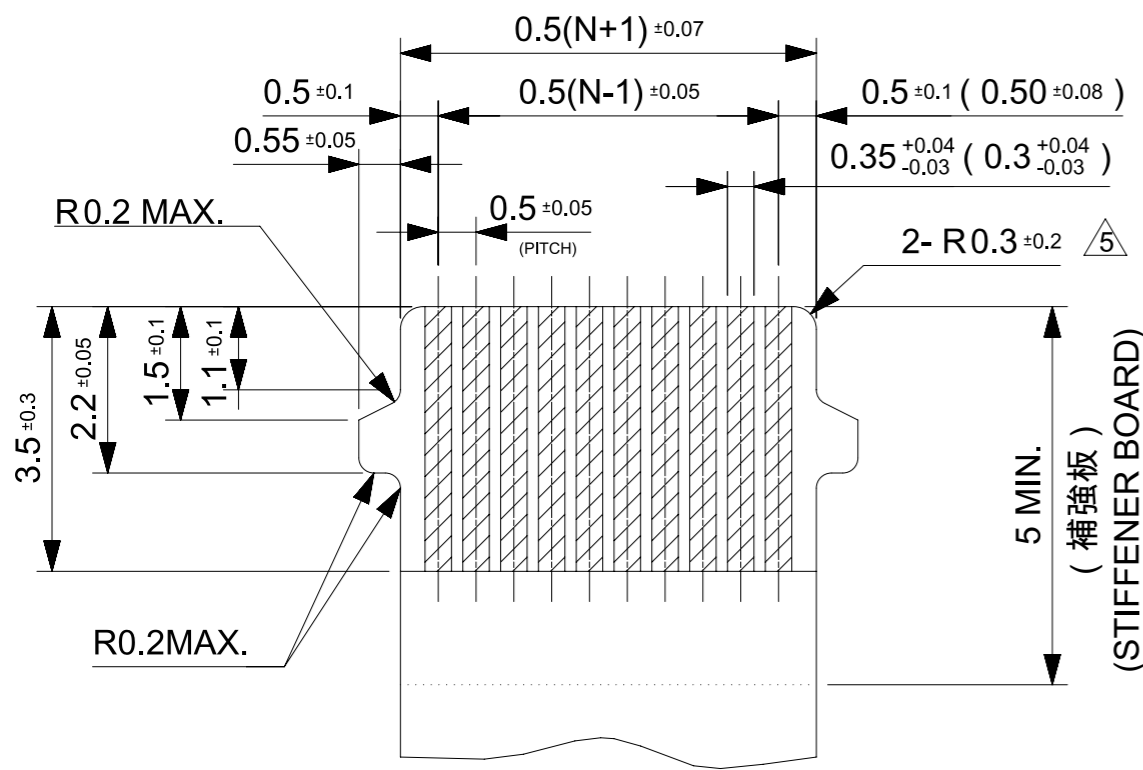


12.6	9.0	14.2	5051101992	19
12.1	8.5	13.7	5051101892	18
11.6	8.0	13.2	5051101792	17
11.1	7.5	12.7	5051101692	16
10.6	7.0	12.2	5051101592	15
10.1	6.5	11.7	5051101492	14
9.6	6.0	11.2	5051101392	13
9.1	5.5	10.7	5051101292	12
8.6	5.0	10.2	5051101192	11
8.1	4.5	9.7	5051101092	10
7.6	4.0	9.2	5051100992	9
7.1	3.5	8.7	5051100892	8
6.6	3.0	8.2	5051100792	7
6.1	2.5	7.7	5051100692	6
5.6	2.0	7.2	5051100592	5
5.1	1.5	6.7	5051100492	4
C	B	A	EMBOSSED PACKAGE	Ckt
			オーダー番号 ORDER NO.	

CONNECTOR SERIES NO. 505110\*\* 12

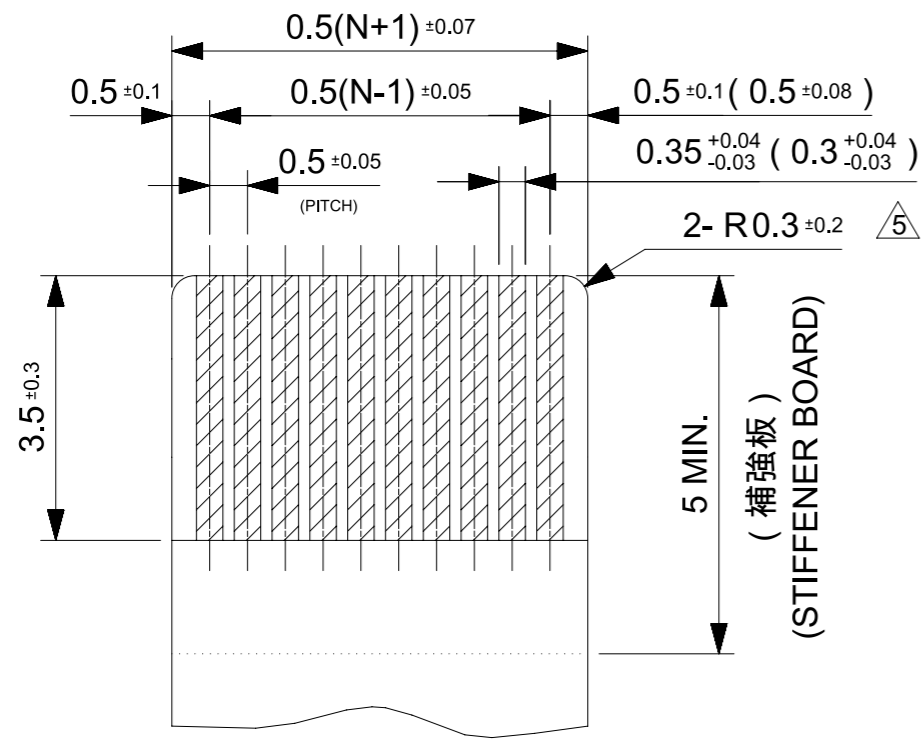
THIS DRAWING CONTAINS INFORMATION THAT IS PROPRIETARY TO MOLEX INCORPORATED AND SHOULD NOT BE USED WITHOUT WRITTEN PERMISSION

EC DESCRIPTION EC NO: 100528 DRWN: FSATO CHK'D: KTAKAHASHI APPR: KIMORIKAWA	2015/04/30 2015/06/30 2015/06/30	QUALITY SYMBOLS ∇ = 0 ∇ = 0 ∇ = 0 ▼ = 0 ∇ = 0 ⊠ = 0 ■ = 0 ∇ = 0	GENERAL TOLERANCES (UNLESS SPECIFIED) ANGULAR TOL ± 1.0 ° 4 PLACES ± 0.05 3 PLACES ± 0.1 2 PLACES ± 0.2 1 PLACE ± 0.2 0 PLACES ± 0.2 DRAFT WHERE APPLICABLE MUST REMAIN WITHIN DIMENSIONS	DIMENSION UNITS: MM SCALE: 8:1 DRWN BY: FSATO DATE: 2015/04/30 CHK'D BY: KTAKAHASHI DATE: 2015/06/30 APPR BY: KIMORIKAWA DATE: 2015/06/30 DRAWING SIZE: A3 THIRD ANGLE PROJECTION		
				PRODUCT CUSTOMER DRAWING		
			SERIES: 505110 MATERIAL NUMBER: SEE CHART CUSTOMER: GENERAL			
			DOCUMENT NUMBER: 5051101001 DOC TYPE: PSD DOC PART: 000 SHEET NUMBER: 1 OF 3			



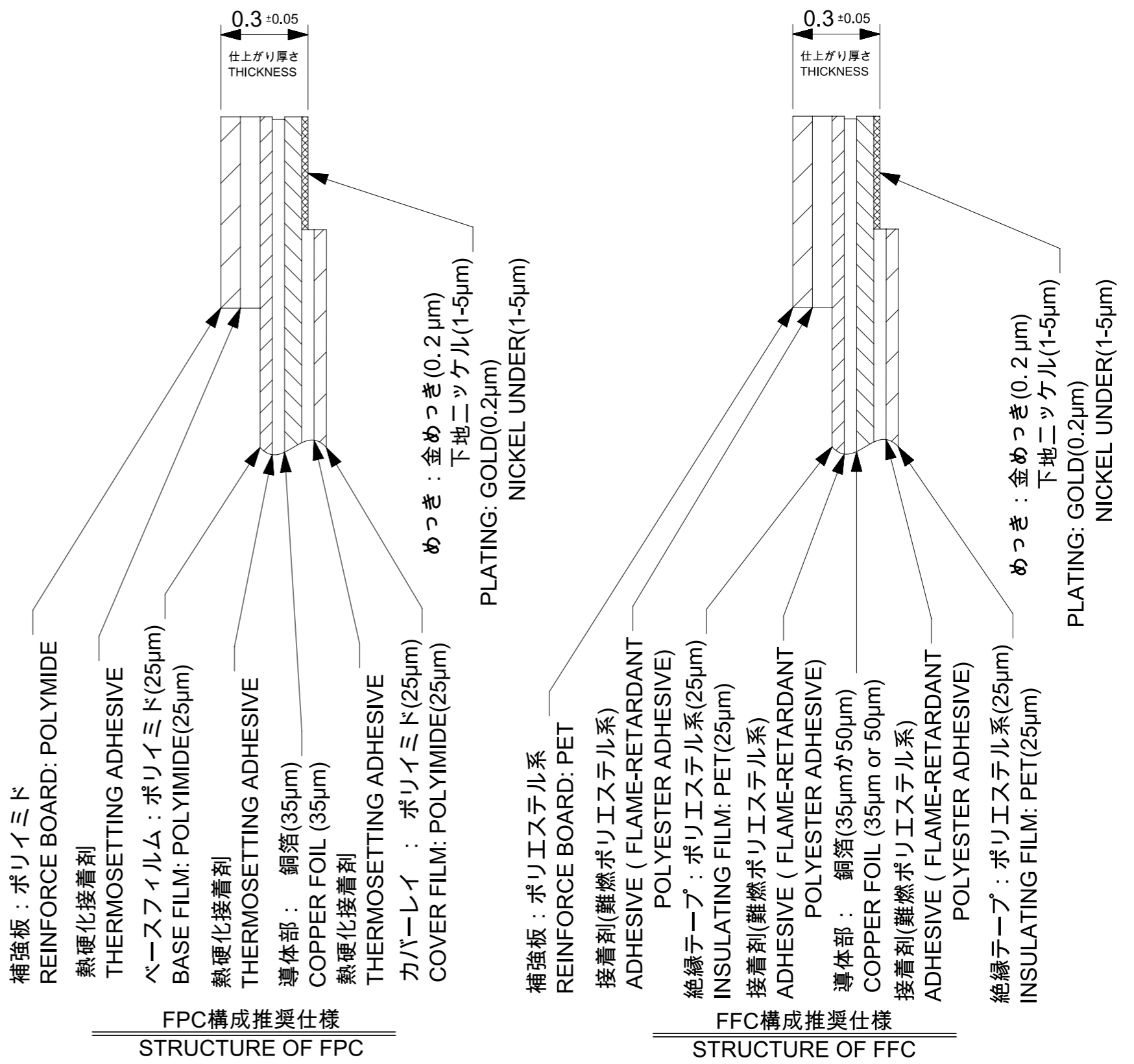
適合FPC/FFC推奨寸法  
APPLICABLE FPC/FFC  
RECOMMENDED DIMENSION

( ):FFCに適応  
( ):APPLY TO FFC



耳無し適合FPC/FFC推奨寸法  
APPLICABLE NON-TAB FPC/FFC  
RECOMMENDED DIMENSION

( ):FFCに適応  
( ):APPLY TO FFC



FPC構成推奨仕様  
STRUCTURE OF FPC

FFC構成推奨仕様  
STRUCTURE OF FFC

THIS DRAWING CONTAINS INFORMATION THAT IS PROPRIETARY TO MOLEX INCORPORATED AND SHOULD NOT BE USED WITHOUT WRITTEN PERMISSION												
EC DESCRIPTION EC NO: 100528 DRWN: FSATO CHK'D: KTAKAHASHI APPR: KIMORIKAWA	2015/04/30	2015/06/30	2015/06/30	QUALITY SYMBOLS ▽ = 0 ▽ = 0 ▽ = 0 ▽ = 0 ▽ = 0 ▽ = 0 ▽ = 0 ▽ = 0 ▽ = 0 ▽ = 0	GENERAL TOLERANCES (UNLESS SPECIFIED)		DIMENSION UNITS		SCALE		molex	
	ANGULAR TOL ± 1.0 °		MM		≠≠		DRWN BY DATE		FSATO 2015/04/30			
	4 PLACES ± 0.05		3 PLACES ± 0.1		CHK'D BY DATE		KTAKAHASHI 2015/06/30		PRODUCT CUSTOMER DRAWING			
	2 PLACES ± 0.2		1 PLACE ± 0.2		APPR BY DATE		KIMORIKAWA 2015/06/30		SERIES MATERIAL NUMBER CUSTOMER			
0 PLACES ± 0.2		DRAFT WHERE APPLICABLE MUST REMAIN WITHIN DIMENSIONS		DRAWING SIZE		THIRD ANGLE PROJECTION		505110 SEE SHEET 1 GENERAL		DOCUMENT NUMBER DOC TYPE DOC PART SHEET NUMBER		
A		REV		A3		5051101001		PSD 000		2 OF 3		

注記 NOTES

1.使用材料 MATERIAL

ハウジング :液晶ポリマー ガラス充填、UL94V-0(ベージュ)  
 HOUSING LIQUID CRYSTAL POLYMER GLASS FILLED, UL94V-0(BEIGE)  
 アクチュエータ :ポリアミド ガラス充填、UL94V-0(黒)  
 ACTUATOR POLYAMIDE GLASS FILLED, UL94V-0(BLACK)  
 ターミナル :リン青銅(t=0.15)  
 TERMINAL PHOSPHOR BRONZE  
 金具 :リン青銅(t=0.15)  
 FITTING NAIL PHOSPHOR BRONZE

2.めっき仕様 PLATING

ターミナル TERMINAL  
 コンタクト部 : 部分金めっき (0.05μm以上)  
 テール部 : 部分金めっき  
 下地:ニッケルめっき (1.0μm以上)  
 CONTACT AREA : SEPARATED GOLD PLATING (0.05 MICROMETER MINIMUM)  
 SOLDER TAIL AREA : SEPARATED GOLD PLATING  
 UNDERPLATE : NICKEL OVERALL (1.0 MICROMETER MINIMUM)  
 金具 FITTING NAIL  
 錫めっき(1.0μm以上)  
 下地:ニッケルめっき (1.0μm以上)  
 TIN PLATING (1.0 MICROMETER MIN.)  
 UNDER PLATING : NICKEL PLATING (1.0 MICROMETER MIN.)

3.エンボステープ梱包時は、アクチュエータが閉じた状態とする。  
 IN THE PACKAGE, ACTUATOR OF PART SHOULD BE CLOSED.

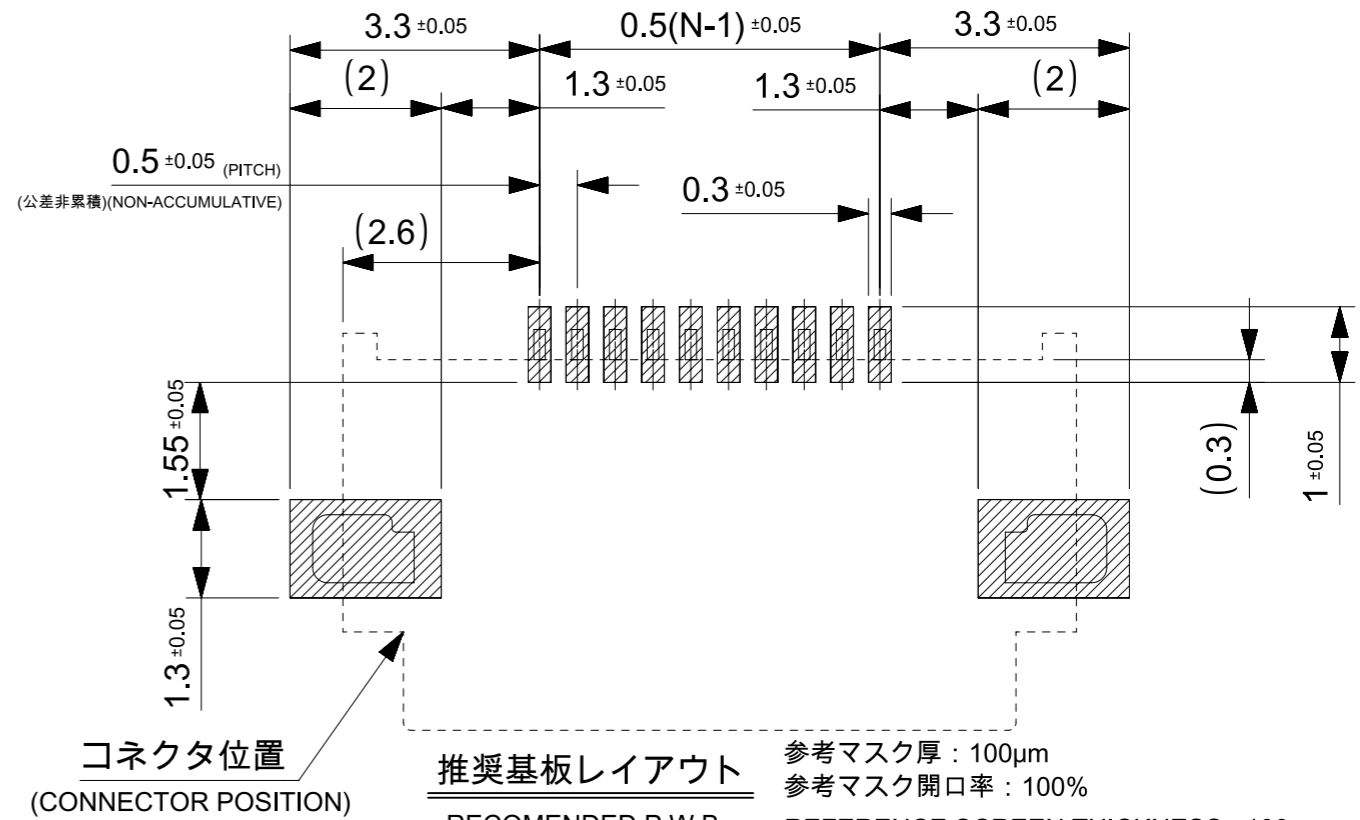
△4 パターン剥離止め用金具  
 FITTING NAIL FOR PREVENTION OF PEELING OF P.C.B. PATTERN.

△5 R0.3はFPC/FFC導体部にかからないこと。  
 R0.3 MUST NOT BE OVERLAPPED TO PATTERN OF FPC/FFC.

6.N:極数 N:CIRCUIT.

7.ELV及びRoHS適合品  
 ELV AND RoHS COMPLIANT

8.テールと金具を併せた平坦度は0.1以下とする。  
 TAILS AND NAILS COPLANALITY TO BE 0.1 MAX.



FPC/FFCについて ABOUT FPC/FFC

打ち抜き方向は導体側から補強板側を推奨します。  
 導体部については軟箔銅35μmまたは50μmを推奨します。  
 FFCに規定された定格温度がFFC単体前提である場合が御座います。  
 コネクタと組み合わせた実使用において、接着層が劣化するなどの信頼性を満足できないケースを回避するため、  
 実機での評価/確認をお願いいたします。

RECOMMENDED PUNCHING DIRECTION : FROM CONDUCTOR SIDE TO STIFFENER SIDE  
 RECOMMENDED CONDUCTOR SPEC : SOFT COPPER FOIL  
 RECOMMENDED CONDUCTOR THICKNESS : 35 MICROMETER OR 50 MICROMETER  
 NOTE: WHEN ACTUALLY USING IT WITH CONNECTOR, PLEASE DO THE EVALUATION AND THE CONFIRMATION WITH AN ACTUAL EQUIPMENT TO EVADE THE CASE WHERE RELIABILITY CANNOT BE FILLED (THE ADHESIVE LINE OF FFC IS DETERIORATED ETC.)

FPCについて ABOUT FPC

補強フィルム材質はポリイミドを推奨します。ベースフィルムは25μmを推奨します。  
 接着剤は熱硬化接着剤を推奨します。  
 尚、接着剤の接点部への付着は導通不良の原因になりますので、染み出しが無い様お願い致します。  
 RECOMMENDED MATERIAL/THICKNESS.

RECOMMENDED STIFFENER MATERIAL: POLYIMIDE  
 RECOMMENDED BASE FILM THICKNESS: 25 MICROMETER  
 RECOMMENDED ADHESIVE: THERMOSETTING ADHESIVE

NOTE: PLEASE PUT APPROPRIATE AMOUNT OF ADHESIVE ON ADHEREND BECAUSE THERE IS A POSSIBILITY THAT THE EXTRA ADHESIVE CAUSES THE DEFECT IN ELECTRICAL CONTINUITY.  
 THERE IS A POSSIBILITY THAT THE PRESCRIPT TEMPERATURE OF FFC IS SET TO SINGLE IT.

THIS DRAWING CONTAINS INFORMATION THAT IS PROPRIETARY TO MOLEX INCORPORATED AND SHOULD NOT BE USED WITHOUT WRITTEN PERMISSION

EC DESCRIPTION EC NO: 100528 DRWN: FSATO CHK'D: KTAKAHASHI APPR: KMORIKAWA	2015/04/30	2015/06/30	2015/06/30	QUALITY SYMBOLS ▽ = 0 ▽ = 0 ▽ = 0 ▼ = 0 ▽ = 0 ☒ = 0 ■ = 0 ▽ = 0	GENERAL TOLERANCES (UNLESS SPECIFIED) ANGULAR TOL ± 1.0 ° 4 PLACES ± 0.05 3 PLACES ± 0.1 2 PLACES ± 0.2 1 PLACE ± 0.2 0 PLACES ± 0.2 DRAFT WHERE APPLICABLE MUST REMAIN WITHIN DIMENSIONS	DIMENSION UNITS MM	SCALE 10:1	molex 0.5 FPC CONN ZIF E/O 2CONT TYPE HSG ASSY			
	DRWN BY FSATO	DATE 2015/04/30	CHK'D BY KTAKAHASHI			DATE 2015/06/30					
	APPR BY KMORIKAWA	DATE 2015/06/30	DRAWING SIZE A3			THIRD ANGLE PROJECTION	PRODUCT CUSTOMER DRAWING				
	REV A	SERIES 505110	MATERIAL NUMBER SEE SHEET 1			CUSTOMER GENERAL	DOCUMENT NUMBER 5051101001	DOC TYPE PSD	DOC PART 000	SHEET NUMBER 3 OF 3	