



Chipsmall Limited consists of a professional team with an average of over 10 year of expertise in the distribution of electronic components. Based in Hongkong, we have already established firm and mutual-benefit business relationships with customers from,Europe,America and south Asia,supplying obsolete and hard-to-find components to meet their specific needs.

With the principle of “Quality Parts,Customers Priority,Honest Operation,and Considerate Service”,our business mainly focus on the distribution of electronic components. Line cards we deal with include Microchip,ALPS,ROHM,Xilinx,Pulse,ON,Everlight and Freescale. Main products comprise IC,Modules,Potentiometer,IC Socket,Relay,Connector.Our parts cover such applications as commercial,industrial, and automotives areas.

We are looking forward to setting up business relationship with you and hope to provide you with the best service and solution. Let us make a better world for our industry!



Contact us

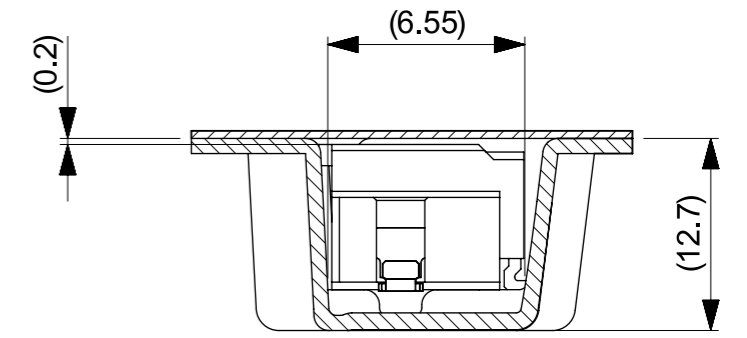
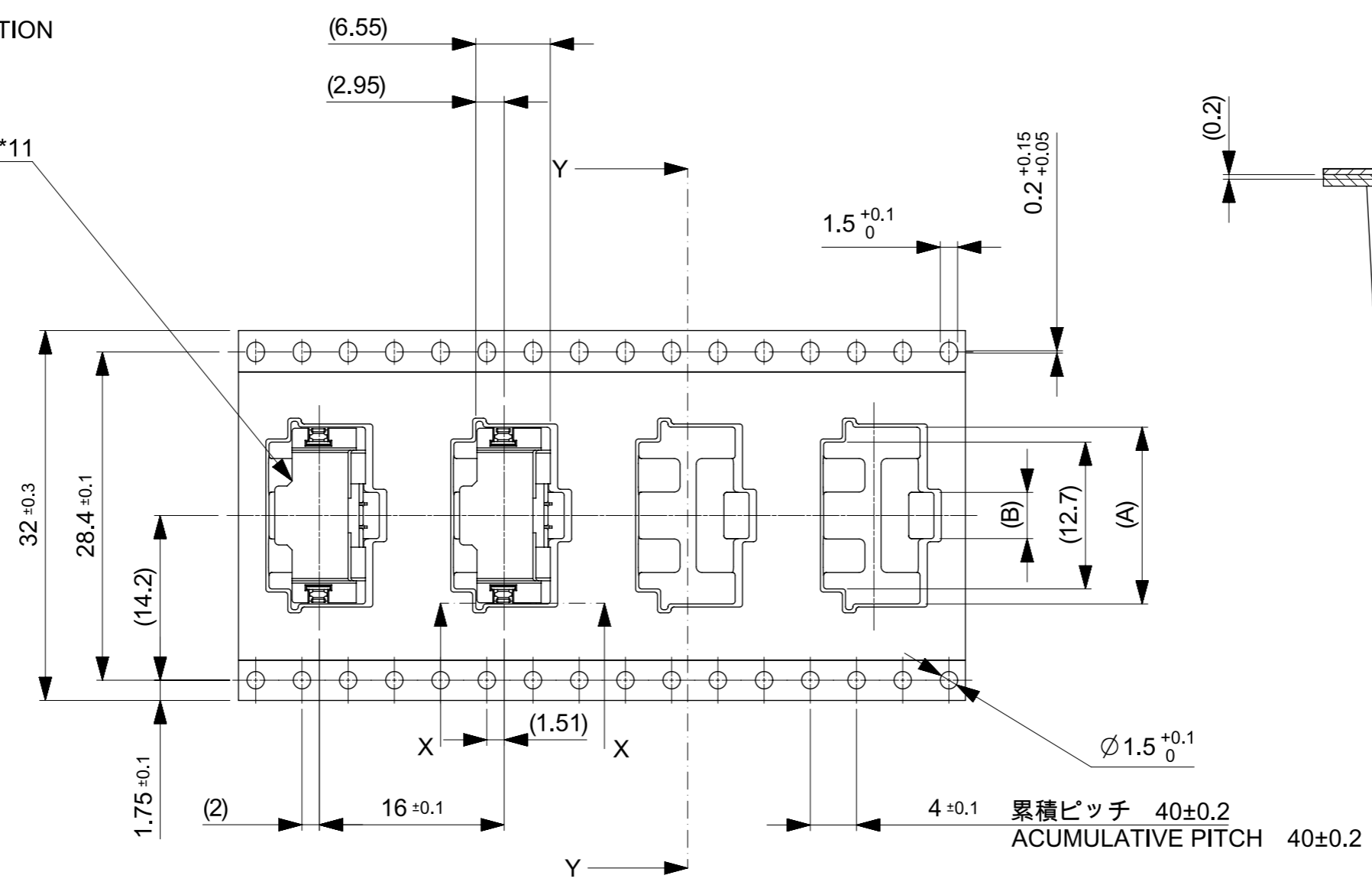
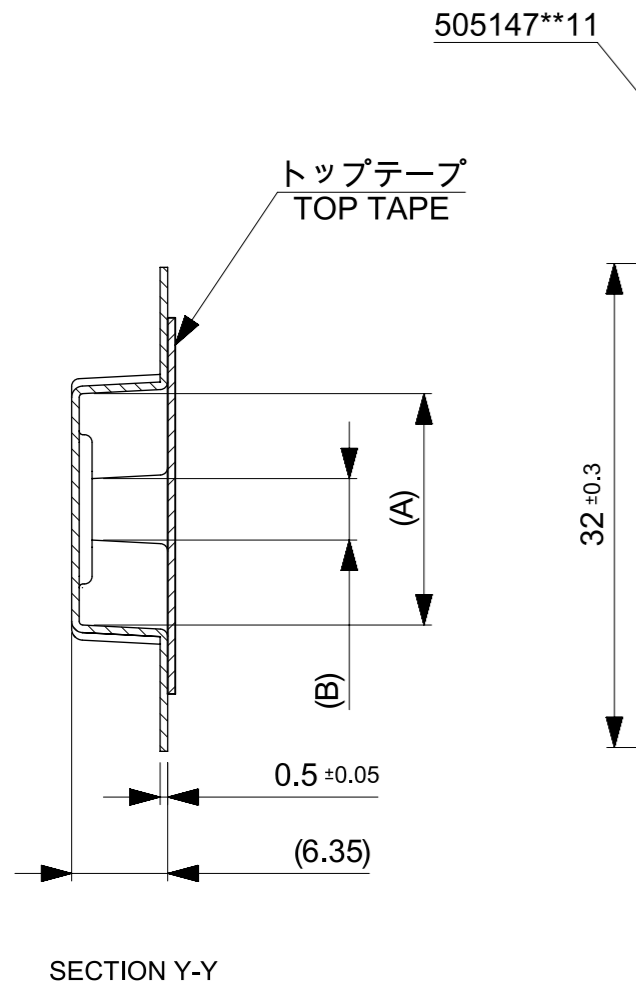
Tel: +86-755-8981 8866 Fax: +86-755-8427 6832

Email & Skype: info@chipsmall.com Web: www.chipsmall.com

Address: A1208, Overseas Decoration Building, #122 Zhenhua RD., Futian, Shenzhen, China



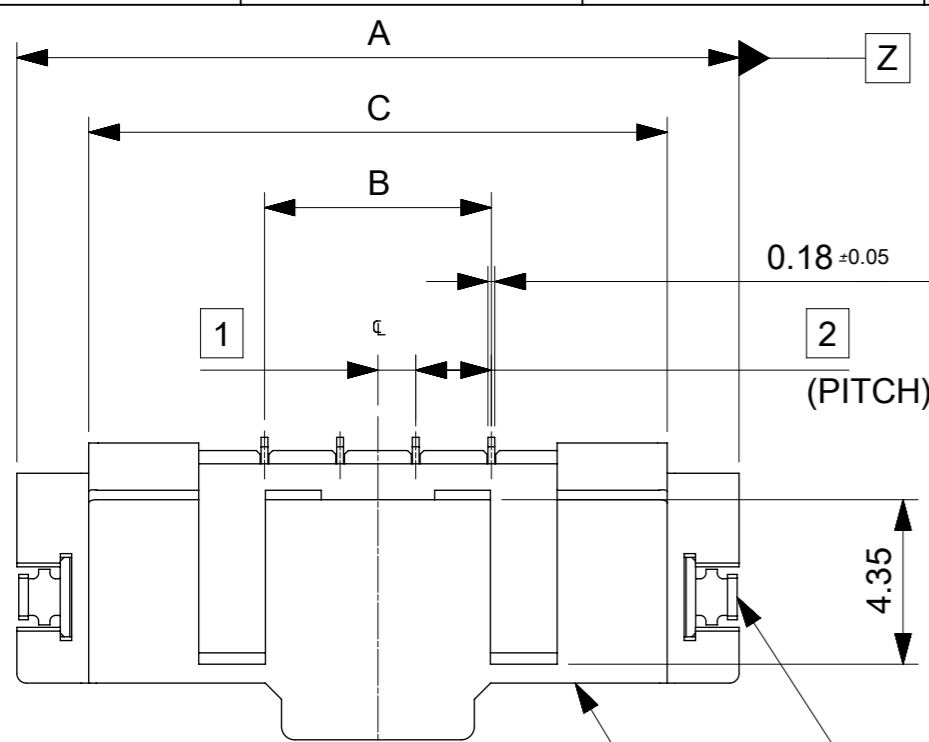
引き出し方向
PULL OUT DIRECTION



32mm幅キャリアテープ
32mm WIDTH CARRIER TAPE

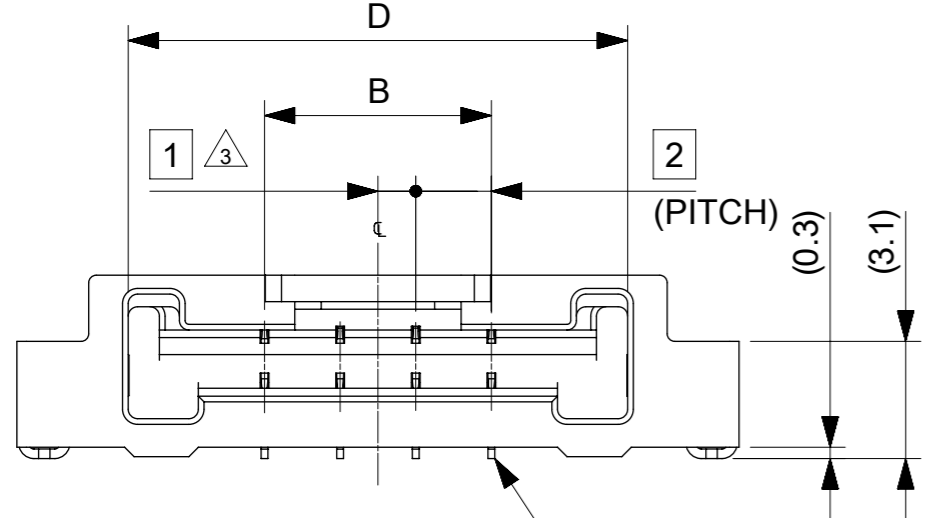
32	33.4	8.0	19.3	5051470490	4
		6.0	17.3	5051470390	3
		4.0	15.3	5051470290	2
キャリアテープ幅 CARRIER TAPE WIDTH	C	B	A	オーダー番号 ORDER NO.	極数 CKT

THIS DRAWING CONTAINS INFORMATION THAT IS PROPRIETARY TO MOLEX ELECTRONIC TECHNOLOGIES, LLC AND SHOULD NOT BE USED WITHOUT WRITTEN PERMISSION													
QUALITY SYMBOLS ◻ = 0 ◻ = 0 ◻ = 0 ◻ = 0 ◻ = 0 ◻ = 0 ◻ = 0 ◻ = 0 ◻ = 0 ◻ = 0	EC NO: 102004 DRWN: AISHII CHK'D: KTAKAHASHI APPR: YNOGAWA	2015/10/29 2015/12/03 2015/12/04	GENERAL TOLERANCES (UNLESS SPECIFIED) ANGULAR TOL ± 0.1 ° 4 PLACES ± 0.03 3 PLACES ± 0.03 2 PLACES ± 0.05 1 PLACE ± 0.1 0 PLACES ± 0.2			DIMENSION UNITS MM	SCALE 2:1						
			DRAFT WHERE APPLICABLE MUST REMAIN WITHIN DIMENSIONS		DRAWING SIZE A3	THIRD ANGLE PROJECTION 	EMBSTP PKG FOR 2.0 FPC TO BOARD RA TYPE						
			PRODUCT CUSTOMER DRAWING							SERIES 505147	MATERIAL NUMBER SEE CHART	CUSTOMER GENERAL	
			RELEASE STATUS P1 RELEASE DATE 04.12.2015 00:37:20							DOCUMENT NUMBER 5051470000	DOC TYPE PSD	DOC PART 000	SHEET NUMBER 2 OF 2

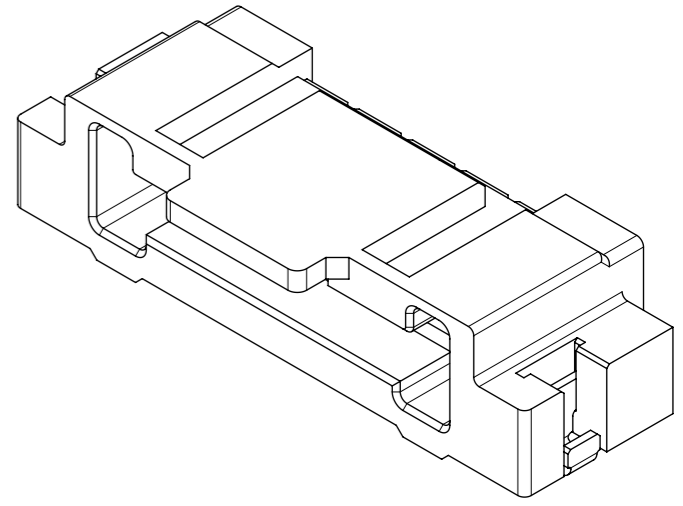
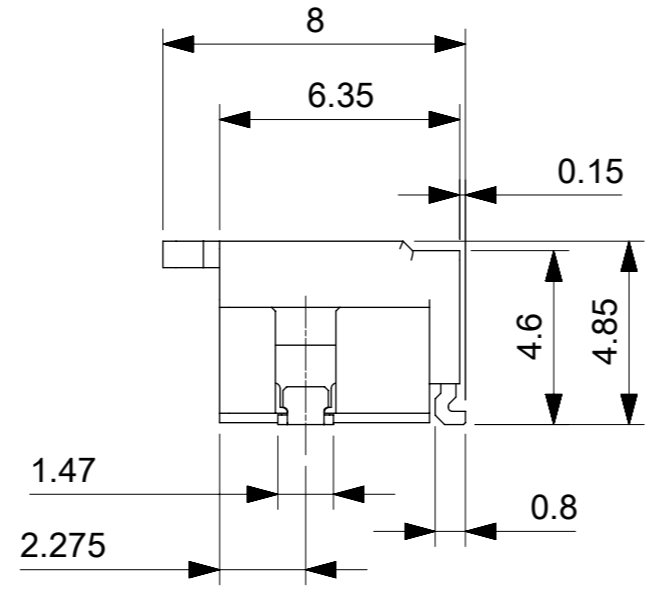
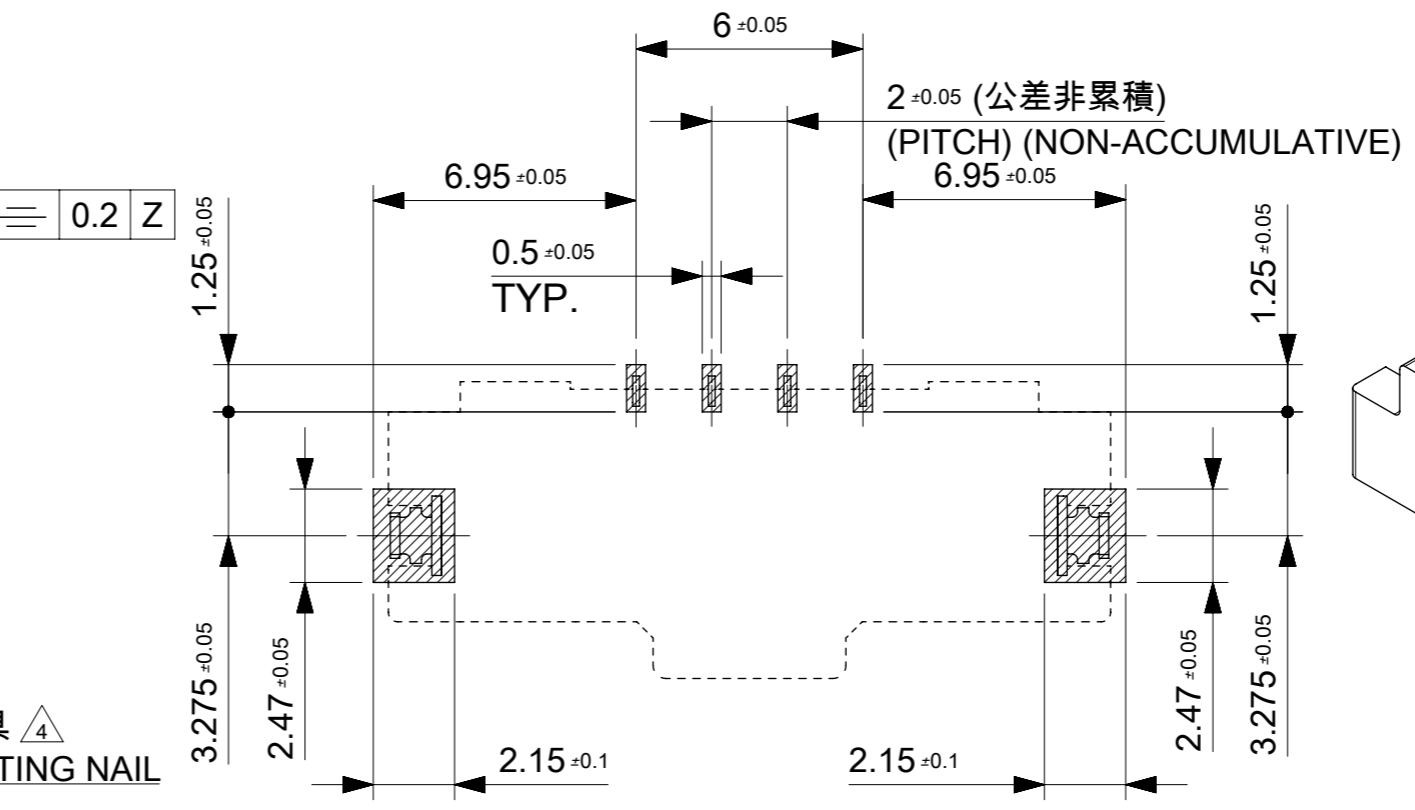


ハウジング
HOUSING

金具
FITTING NAIL



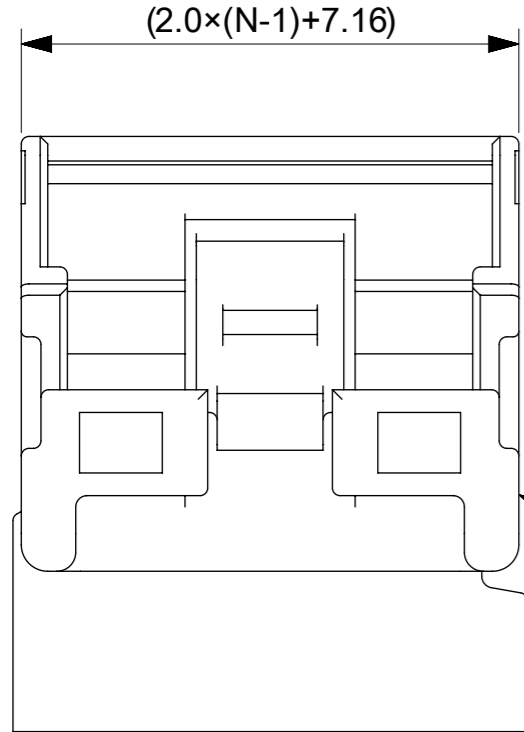
ターミナル
TERMINAL



13.21	15.3	6.0	19.1	5051470490	4
11.21	13.3	4.0	17.1	5051470390	3
9.21	11.3	2.0	15.1	5051470290	2
D	C	B	A	EMBOSSED PACKAGE	極数
オーダー番号 ORDER NO.					CIRCUITS
CONNECTOR SERIES NO. 505147**11					

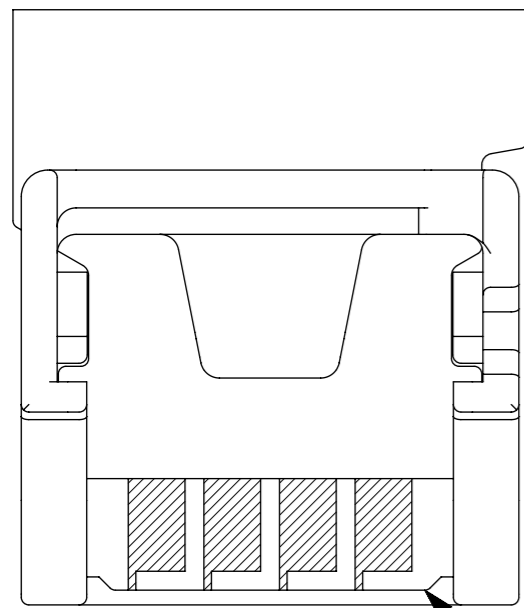
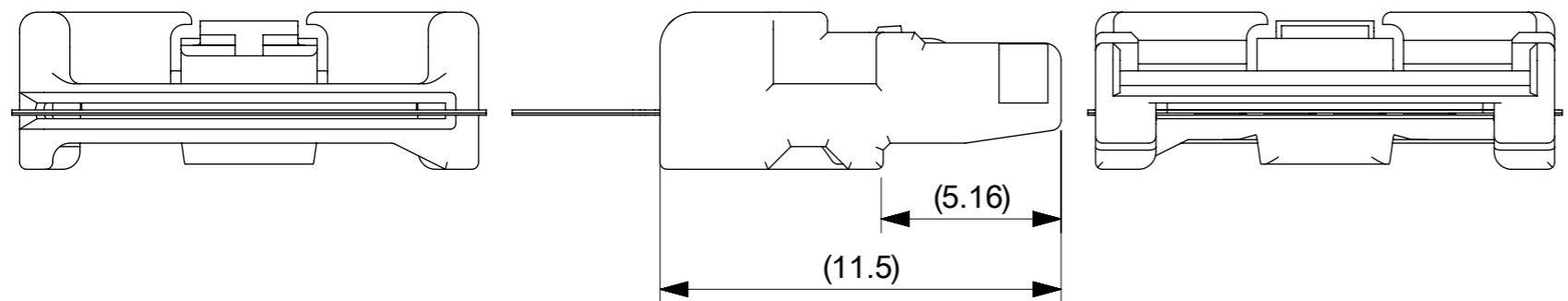
THIS DRAWING CONTAINS INFORMATION THAT IS PROPRIETARY TO MOLEX ELECTRONIC TECHNOLOGIES, LLC AND SHOULD NOT BE USED WITHOUT WRITTEN PERMISSION

EC NO: 104966 DRWN: AISHII CHK'D: KTAKAHASHI APPR: TKUSUHARA01	2016/05/10	2016/05/13	2016/05/13	GENERAL TOLERANCES (UNLESS SPECIFIED) ANGULAR TOL ± 3.0 ° 4 PLACES ± 0.2 3 PLACES ± 0.2 2 PLACES ± 0.2 1 PLACE ± 0.2 0 PLACES ± 0.2 DRAFT WHERE APPLICABLE MUST REMAIN WITHIN DIMENSIONS	DIMENSION UNITS	SCALE				
					MM	5:1				
					DRWN BY	DATE		AISHII	2015/10/21	
					CHK'D BY	DATE		KTAKAHASHI	2015/12/03	
					APPR BY	DATE		YNOGAWA	2015/12/04	
			DRAWING SIZE	THIRD ANGLE PROJECTION	A3		PRODUCT CUSTOMER DRAWING			
			SERIES	MATERIAL NUMBER	CUSTOMER	505147	SEE CHART	GENERAL		
			DOCUMENT NUMBER	DOC TYPE	DOC PART	SHEET NUMBER	5051471000	PSD	000	1 OF 3



参考 プラグコネクタ
REFERENCE PLUG CONNECTOR

△5 プラグジャケット
PLUG JACKET

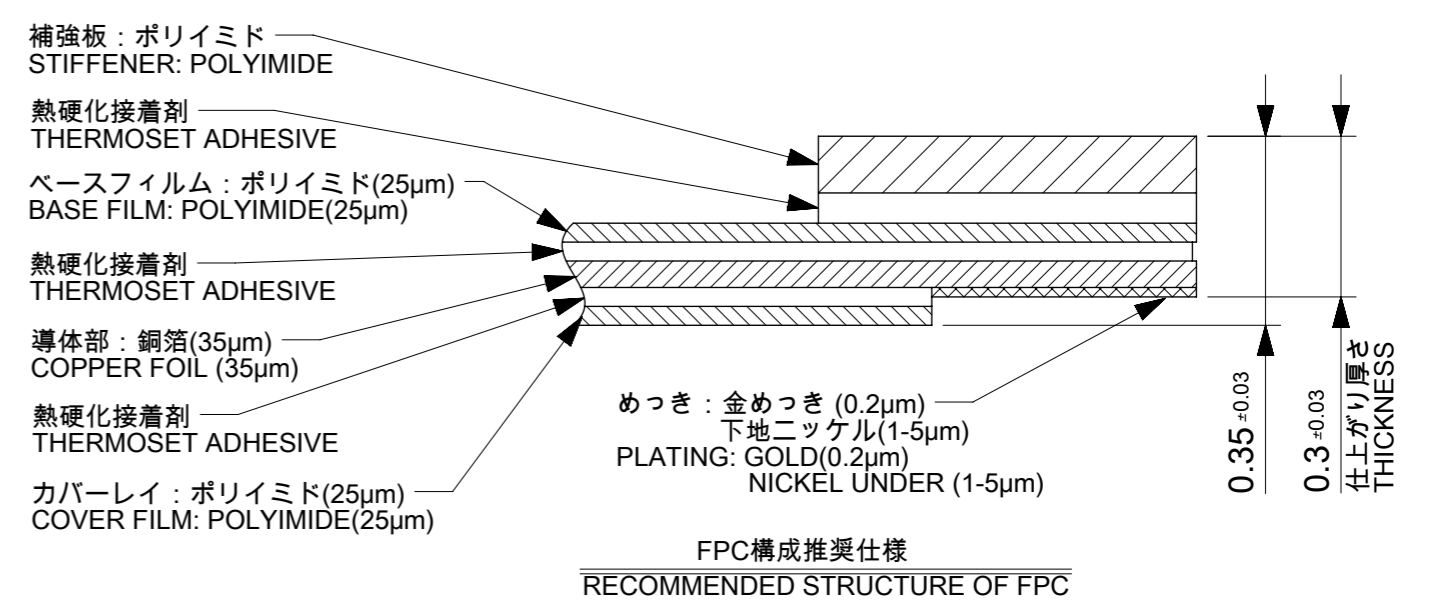
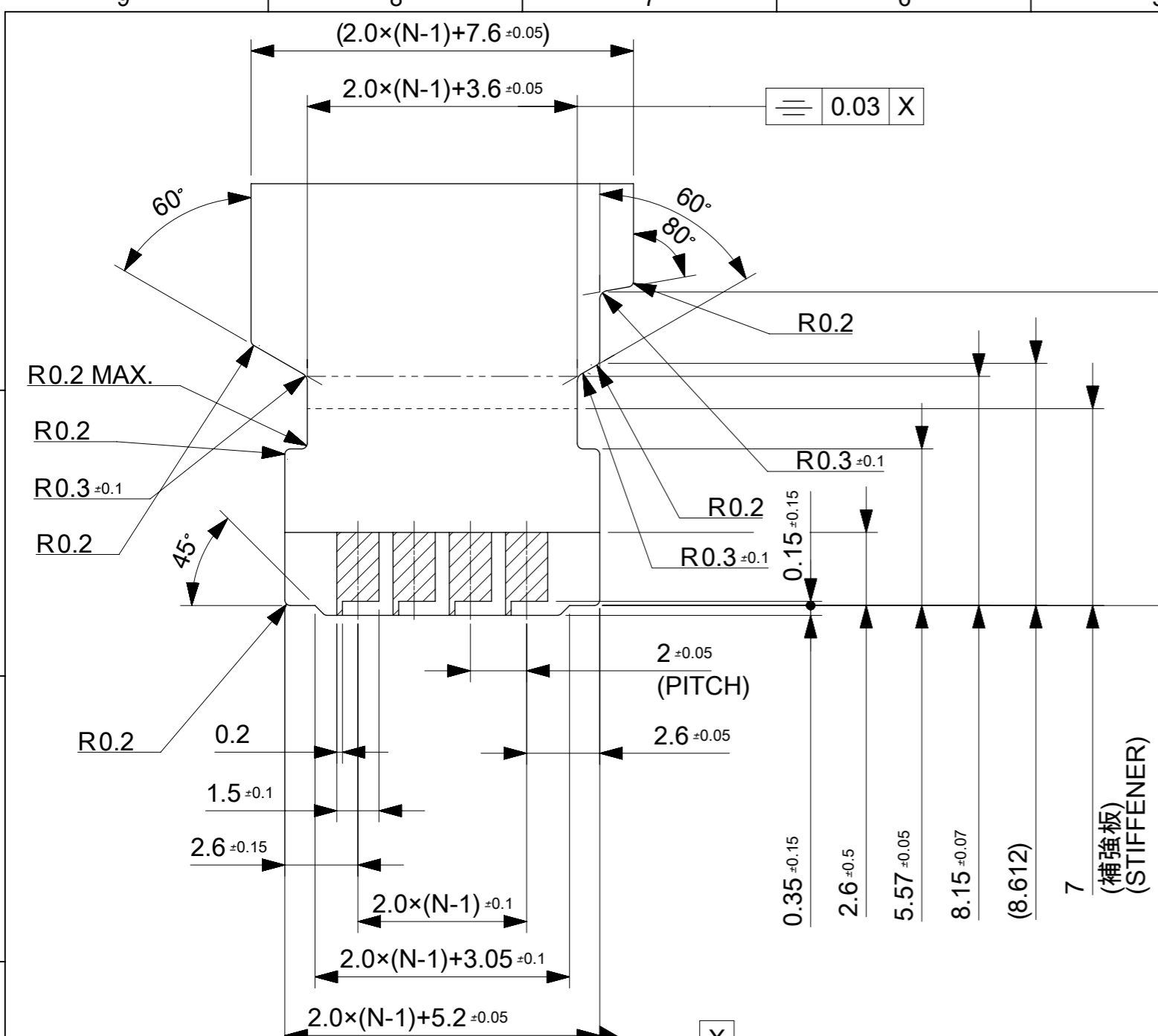


FPC

注記 NOTES

1. 使用材料 MATERIAL
ハウジング : 液晶ポリマー(LCP), ガラス充填
UL94V-0, 色 ; 黒色
HOUSING : LIQUID CRYSTAL POLYMER(LCP), GLASS FILLED
UL94V-0, COLOR; BLACK
ターミナル : 銅合金(t=0.18)
TERMINAL : COPPER ALLOY(t=0.18)
金具 : 銅合金(t=0.25)
FITTING NAIL : COPPER ALLOY(t=0.25)
2. めっき仕様 PLATING
ターミナル TERMINAL
コンタクト部 : 部分金めっき(0.1μm以上)
テール部 : 部分金めっき
下地 : ニッケルめっき(1.0μm以上)
CONTACT AREA : SEPARATED GOLD PLATING
(0.1 MICROMETER MINIMUM)
SOLDER TAIL AREA : SEPARATED GOLD PLATING
UNDERPLATE : NICKEL OVERALL
(1.0 MICROMETER MINIMUM)
金具 FITTING NAIL
錫めっき(1.0μm以上)
下地 : ニッケルめっき(1.0μm以上)
TIN PLATING (0.1 MICROMETER MINIMUM)
UNDERPLATE : NICKEL OVERALL
(1.0 MICROMETER MINIMUM)
- △3 N = 偶数に適用 (N : 極数)
APPLY FOR N=EVEN(N:CIRCUIT)
- △4 パターン剥離止め用金具
FITTING NAIL FOR PREVENTION OF PEELING OF P.C.B PATTERN.
- △5 適合プラグジャケット : 505148**08
製品詳細寸法は5051480000を参照下さい。
APPLICABLE PLUG JACKET:505148**08.
DETAILED DIMENSION, SEE 5051480000.
6. テールと金具を併せた平坦度は0.1mm以下とする。
TAILS AND NAILS COPLANARITY TO BE 0.1mm MAXIMUM.
7. ELV及びRoHS適合品
ELV AND RoHS COMPLIANT.

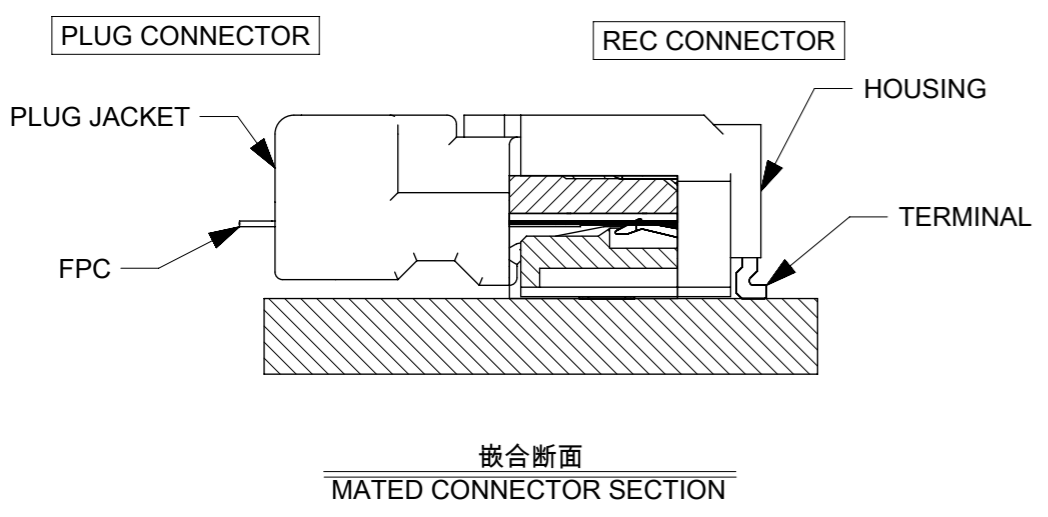
THIS DRAWING CONTAINS INFORMATION THAT IS PROPRIETARY TO MOLEX ELECTRONIC TECHNOLOGIES, LLC AND SHOULD NOT BE USED WITHOUT WRITTEN PERMISSION												
EC NO: 104966 DRWN: AISHII CHK'D: KTAKAHASHI APPR: TKUSUHARA01	2016/05/10 2016/05/13 2016/05/13		GENERAL TOLERANCES (UNLESS SPECIFIED)		DIMENSION UNITS	SCALE	molex®					
			ANGULAR TOL ± 3.0 °		MM	5:1						
			4 PLACES ± 0.2	AISHII		DATE		2.0 FPC TO BOARD CONN REC. HSG ASSY(RA)				
			3 PLACES ± 0.2	CHK'D BY		DATE						
			2 PLACES ± 0.2	KTAKAHASHI		2015/12/03		PRODUCT CUSTOMER DRAWING				
		1 PLACE ± 0.2	APPR BY		DATE							
		0 PLACES ± 0.2	YNOGAWA		2015/12/04		SERIES	MATERIAL NUMBER	CUSTOMER			
		DRAFT WHERE APPLICABLE MUST REMAIN WITHIN DIMENSIONS		DRAWING SIZE	THIRD ANGLE PROJECTION		505147	SEE CHART	GENERAL			
B		REV			A3			DOCUMENT NUMBER	DOC TYPE	DOC PART	SHEET NUMBER	
								5051471000	PSD	000	2 OF 3	



FPCについて:
 打ち抜き方向は導体側から補強板側を推奨します。
 導体部については軟銅箔35µmまたは50µmを推奨します
 補強フィルム材質はポリイミドを推奨します。ベースフィルムは25µmを推奨します。
 接着剤は熱硬化接着剤を推奨します。
 接点部に異物が無い様お願い致します。

NOTES OF FPC :
 RECOMMENDED PUNCHER DIRECTION : FROM CONDUCTOR SIDE TOWARDS STIFFENER SIDE.
 RECOMMENDED CONDUCTOR SPEC :
 THICKNESS OF SOFT COPPER FOIL : 35 MICROMETER OR 50 MICROMETER.
 RECOMMENDED MATERIAL/THICKNESS.
 STIFFENER : POLYIMIDE
 BASE FILM THICKNESS : 25µm
 ADHESIVE : THERMOSET ADHESIVE
 THE CONTACT PAD AREA SHOULD BE WELL INSPECTED AND AVOID ALL FOREIGN CONTAMINATIONS.

参考FPC寸法
 REFERENCE FPC DIMENSION
 (仕上がり厚さ : 接点部0.3±0.03)
 (THICKNESS : CONTACT AREA 0.3 +/-0.03)



THIS DRAWING CONTAINS INFORMATION THAT IS PROPRIETARY TO MOLEX ELECTRONIC TECHNOLOGIES, LLC AND SHOULD NOT BE USED WITHOUT WRITTEN PERMISSION										
EC NO: 104966 DRWN: AISHII CHK'D: KTAKAHASHI REV APPR: TKUSUHARA01	2016/05/10 2016/05/13 2016/05/13		GENERAL TOLERANCES (UNLESS SPECIFIED)			DIMENSION UNITS	SCALE	molex®		
			ANGULAR TOL ± 3.0 °			MM	5:1			
	4 PLACES ± 0.2		3 PLACES ± 0.2			DRWN BY	DATE	2.0 FPC TO BOARD CONN REC. HSG ASSY(RA)		
	3 PLACES ± 0.2		2 PLACES ± 0.2			AISHII	2015/10/21			
	2 PLACES ± 0.2		1 PLACE ± 0.2			CHK'D BY	DATE	PRODUCT CUSTOMER DRAWING		
1 PLACE ± 0.2		0 PLACES ± 0.2			KTAKAHASHI	2015/12/03				
0 PLACES ± 0.2		DRAFT WHERE APPLICABLE MUST REMAIN WITHIN DIMENSIONS			APPR BY	DATE	SERIES: 505147 MATERIAL NUMBER: SEE CHART CUSTOMER: GENERAL			
					YNOGAWA	2015/12/04				
					DRAWING SIZE	THIRD ANGLE PROJECTION	DOCUMENT NUMBER: 5051471000 DOC TYPE: PSD DOC PART: 000 SHEET NUMBER: 3 OF 3			
					A3					