



Chipsmall Limited consists of a professional team with an average of over 10 year of expertise in the distribution of electronic components. Based in Hongkong, we have already established firm and mutual-benefit business relationships with customers from,Europe,America and south Asia,supplying obsolete and hard-to-find components to meet their specific needs.

With the principle of “Quality Parts,Customers Priority,Honest Operation,and Considerate Service”,our business mainly focus on the distribution of electronic components. Line cards we deal with include Microchip,ALPS,ROHM,Xilinx,Pulse,ON,Everlight and Freescale. Main products comprise IC,Modules,Potentiometer,IC Socket,Relay,Connector.Our parts cover such applications as commercial,industrial, and automotives areas.

We are looking forward to setting up business relationship with you and hope to provide you with the best service and solution. Let us make a better world for our industry!



Contact us

Tel: +86-755-8981 8866 Fax: +86-755-8427 6832

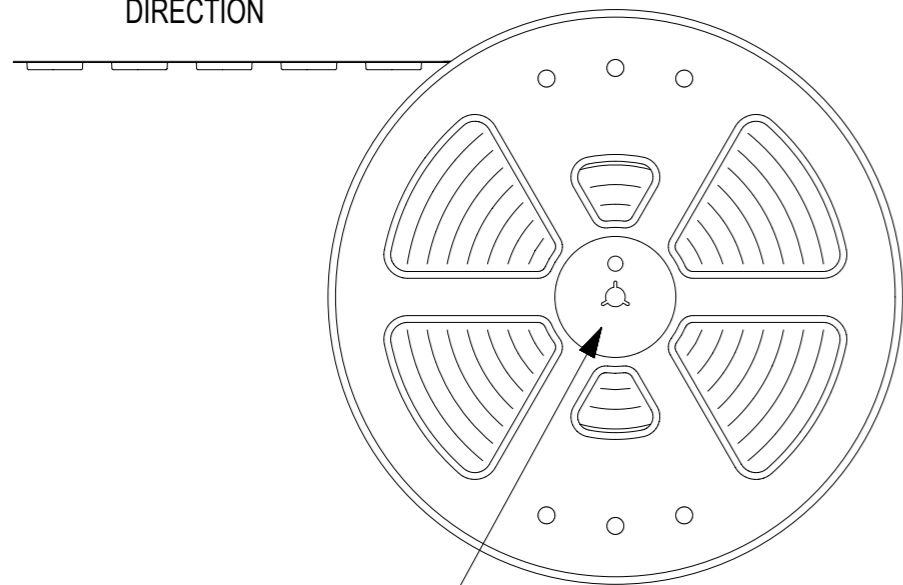
Email & Skype: info@chipsmall.com Web: www.chipsmall.com

Address: A1208, Overseas Decoration Building, #122 Zhenhua RD., Futian, Shenzhen, China

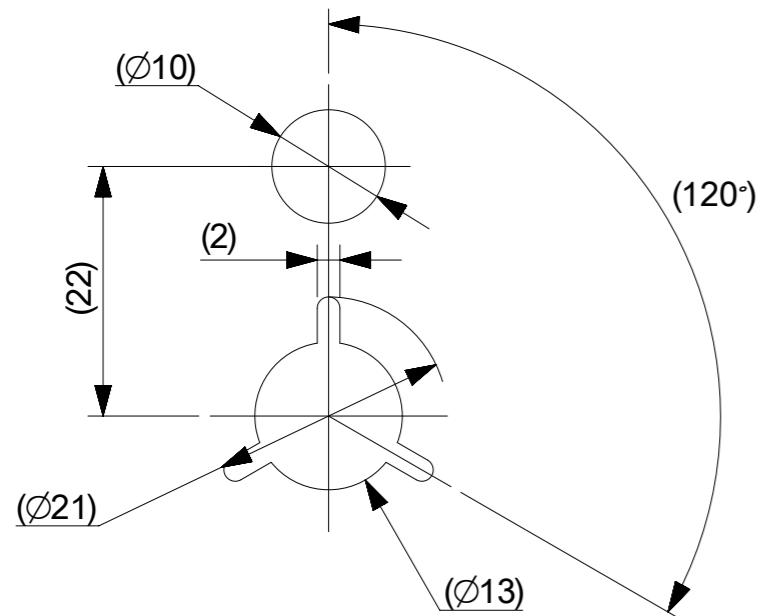
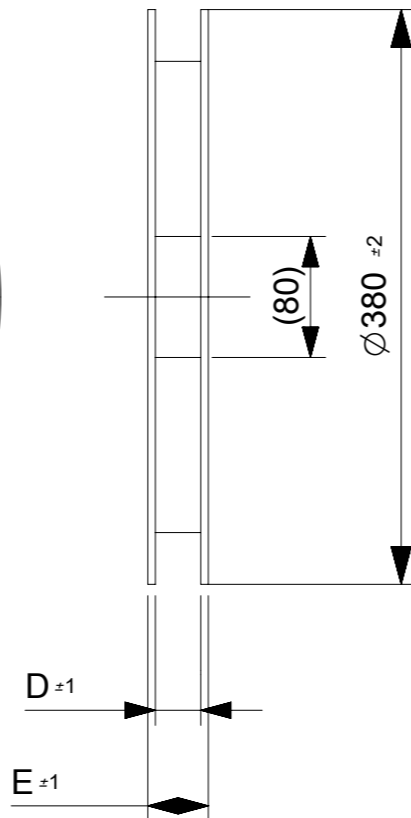


引き出し方向

PULL OUT
DIRECTION



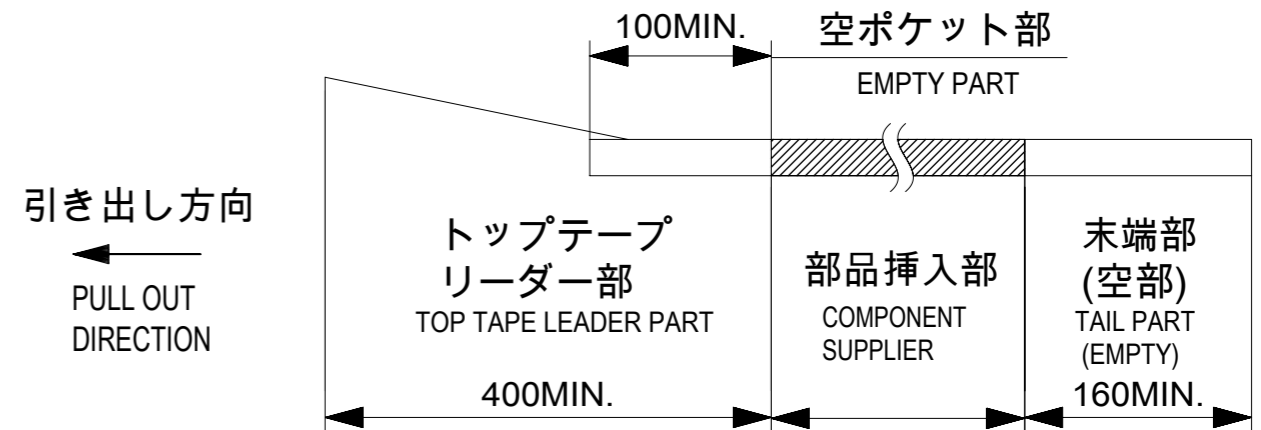
"E"



DETAIL "E"

NOTES

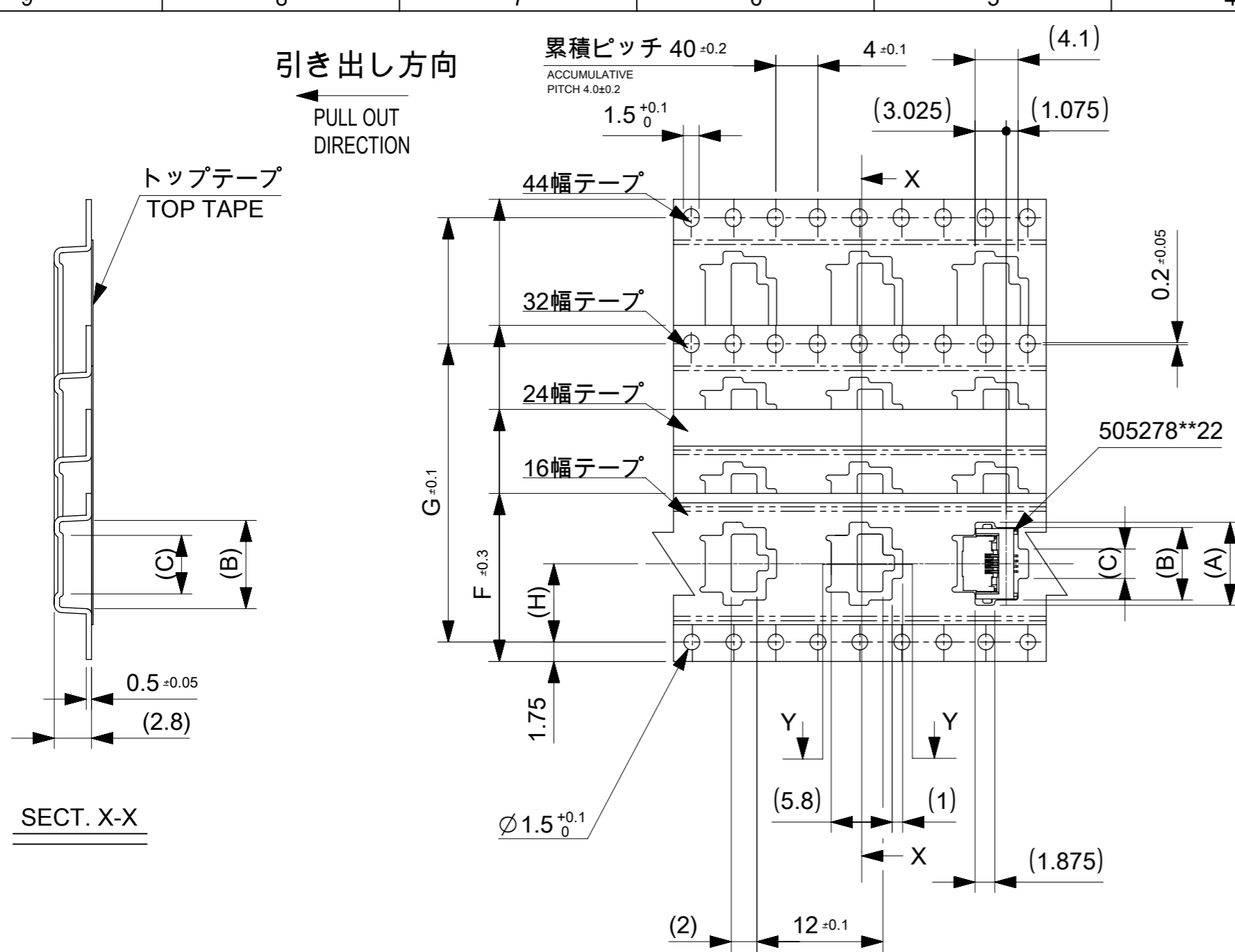
- 梱包数量 : 3000個 / リール
NUMBER OF CONNECTORS : 3000 PCS/REEL.
- リードテープ長さ
LEAD TAPE LENGTH



- カバーテープの剥離強度については、IEC60286-3に準拠。
COVER TAPE PEEL FORCE IS DEFINED BY IEC 60286-3.
- 製品詳細寸法については、図面 5052781000/1001を参照下さい。
FOR DIMENSIONS OF PRODUCT, REFER TO 5052781000/1001.
- 材料 MATERIAL
キャリアテープ : ポリスチレン
CARRIER TAPE : POLYSTYRENE
トップテープ : ポリエチレンテレフタレート、ポリエチレン
TOP TAPE : POLYETHYLENE TEREPHTHALATE, POLYETHYLENE
リール : ポリスチレン<リサイクル材を含む>
REEL : POLYSTYRENE <RECYCLE MATERIAL CONTAINED >
- ELV及びRoHS適合品 ELV AND RoHS COMPLIANT.

THIS DRAWING CONTAINS INFORMATION THAT IS PROPRIETARY TO MOLEX ELECTRONIC TECHNOLOGIES, LLC AND SHOULD NOT BE USED WITHOUT WRITTEN PERMISSION

EC NO: 106679 DRWN: YMIZUNO02 CHK'D: KTAKAHASHI APPR: TKUSUHARA01	2016/07/14 2016/07/28 2016/07/29	GENERAL TOLERANCES (UNLESS SPECIFIED) ANGULAR TOL $\pm 1.0^\circ$	DIMENSION UNITS: MM SCALE: 2:1					
	4 PLACES ± 0.03 3 PLACES ± 0.03 2 PLACES ± 0.05 1 PLACE ± 0.1 0 PLACES ± 0.2	DRWN BY: FSATO DATE: 2015/02/09 CHK'D BY: KTAKAHASHI DATE: 2015/02/12 APPR BY: YNOGAWA DATE: 2015/02/12	0.5 FFC CONN ZIF E/O EMBOSSED TAPE PKG					
	DRAFT WHERE APPLICABLE MUST REMAIN WITHIN DIMENSIONS			DRAWING SIZE: A3 THIRD ANGLE PROJECTION	PRODUCT CUSTOMER DRAWING			
	D REV	505278 5052780000	SEE CHART	505278 5052780000	GENERAL	PSD 000	1 OF 2	

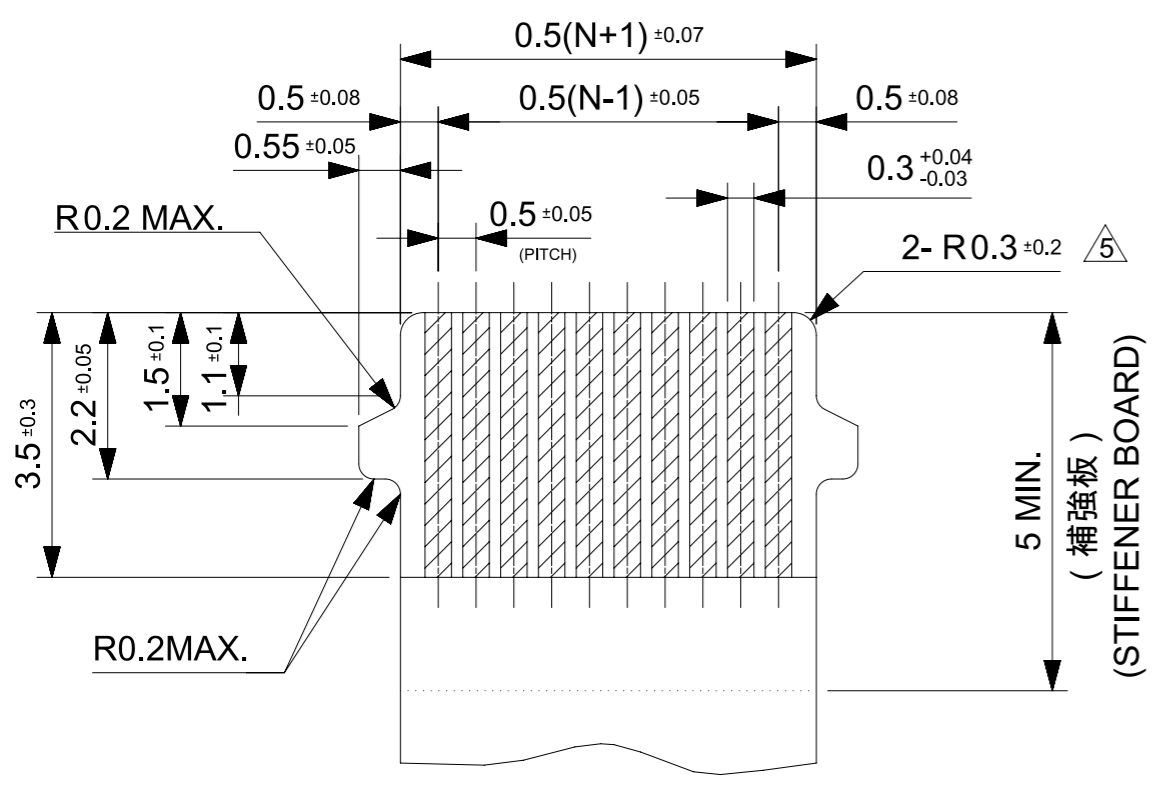


CONNECTOR SERIES NO.505278**22

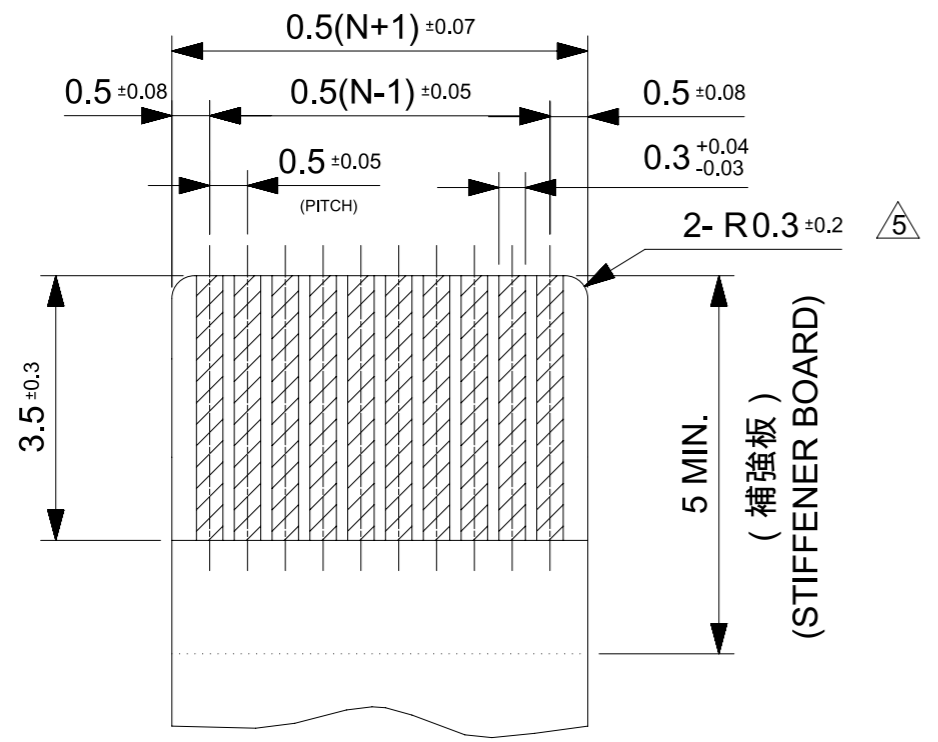
20.2	40.4	44	49.4	45.4	25.9	29.9	31	5052785033	50
					23.4	27.4	28.5	5052784533	45
					20.9	24.9	26	5052784033	40
					18.4	22.4	23.5	5052783533	35
					15.9	19.9	21	5052783033	30
14.2	28.4	32	37.4	33.4	14.9	18.9	20	5052782833	28
					13.9	17.9	19	5052782633	26
					12.9	16.9	18	5052782433	24
					11.9	15.9	17	5052782233	22
					10.9	14.9	16	5052782033	20
					10.4	14.4	15.5	5052781933	19
					9.9	13.9	15	5052781833	18
					9.4	13.4	14.5	5052781733	17
					8.9	12.9	14	5052781633	16
					8.4	12.4	13.5	5052781533	15
					7.9	11.9	13	5052781433	14
					7.4	11.4	12.5	5052781333	13
11.5	---	24	29.4	25.4	6.9	10.9	12	5052781233	12
					6.4	10.4	11.5	5052781133	11
					5.9	9.9	11	5052781033	10
					5.4	9.4	10.5	5052780933	9
					4.9	8.9	10	5052780833	8
					4.4	8.4	9.5	5052780733	7
					3.9	7.9	9	5052780633	6
					3.4	7.4	8.5	5052780533	5
7.5	---	16	21.4	17.4	2.9	6.9	8	5052780433	4
H	G	F	E	D	C	B	A	EMBOSSED PACKAGE	
								オーダー番号 ORDER NO.	
								Ckt	

THIS DRAWING CONTAINS INFORMATION THAT IS PROPRIETARY TO MOLEX ELECTRONIC TECHNOLOGIES, LLC AND SHOULD NOT BE USED WITHOUT WRITTEN PERMISSION

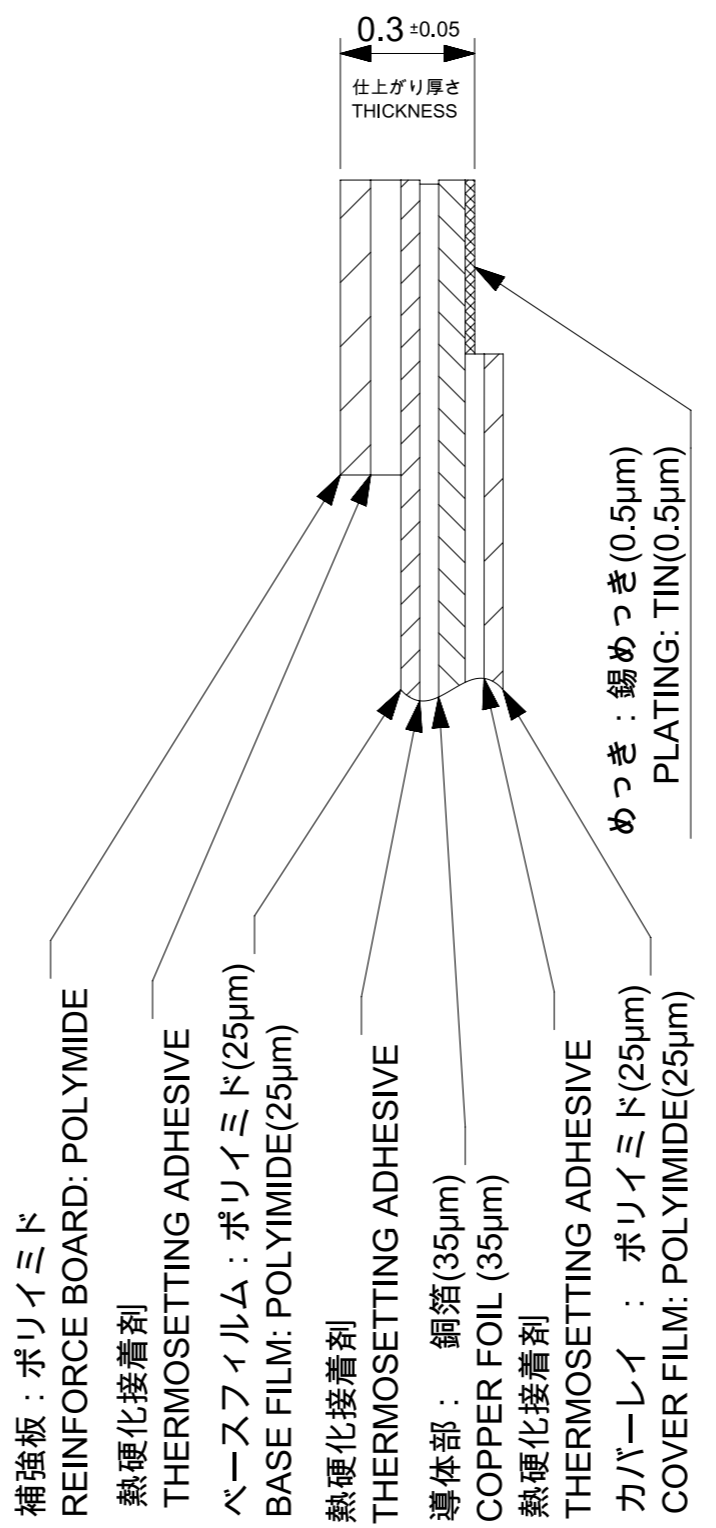
EC NO: 106679 DRWN: YMIZUNO02 CHK'D: KTAKAHASHI APPR: TKUSUHARA01	2016/07/14	GENERAL TOLERANCES (UNLESS SPECIFIED)		DIMENSION UNITS	SCALE				
	2016/07/28	ANGULAR TOL ± 1.0 °		MM	2:1				
	2016/07/29	4 PLACES ± 0.03	3 PLACES ± 0.03	DRWN BY	DATE				
		2 PLACES ± 0.05	1 PLACE ± 0.1	FSATO	2015/02/09				
		0 PLACES ± 0.2	DRAFT WHERE APPLICABLE MUST REMAIN WITHIN DIMENSIONS	CHK'D BY	DATE	0.5 FFC CONN ZIF E/O EMBOSSED TAPE PKG			
			YNOGAWA	2015/02/12					
			APPR BY	DATE					
			YNOGAWA	2015/02/12					
				DRAWING SIZE	THIRD ANGLE PROJECTION	PRODUCT CUSTOMER DRAWING			
				A3		SERIES	MATERIAL NUMBER	CUSTOMER	
						505278	SEE CHART	GENERAL	
						DOCUMENT NUMBER	DOC TYPE	DOC PART	SHEET NUMBER
						5052780000	PSD	000	2 OF 2



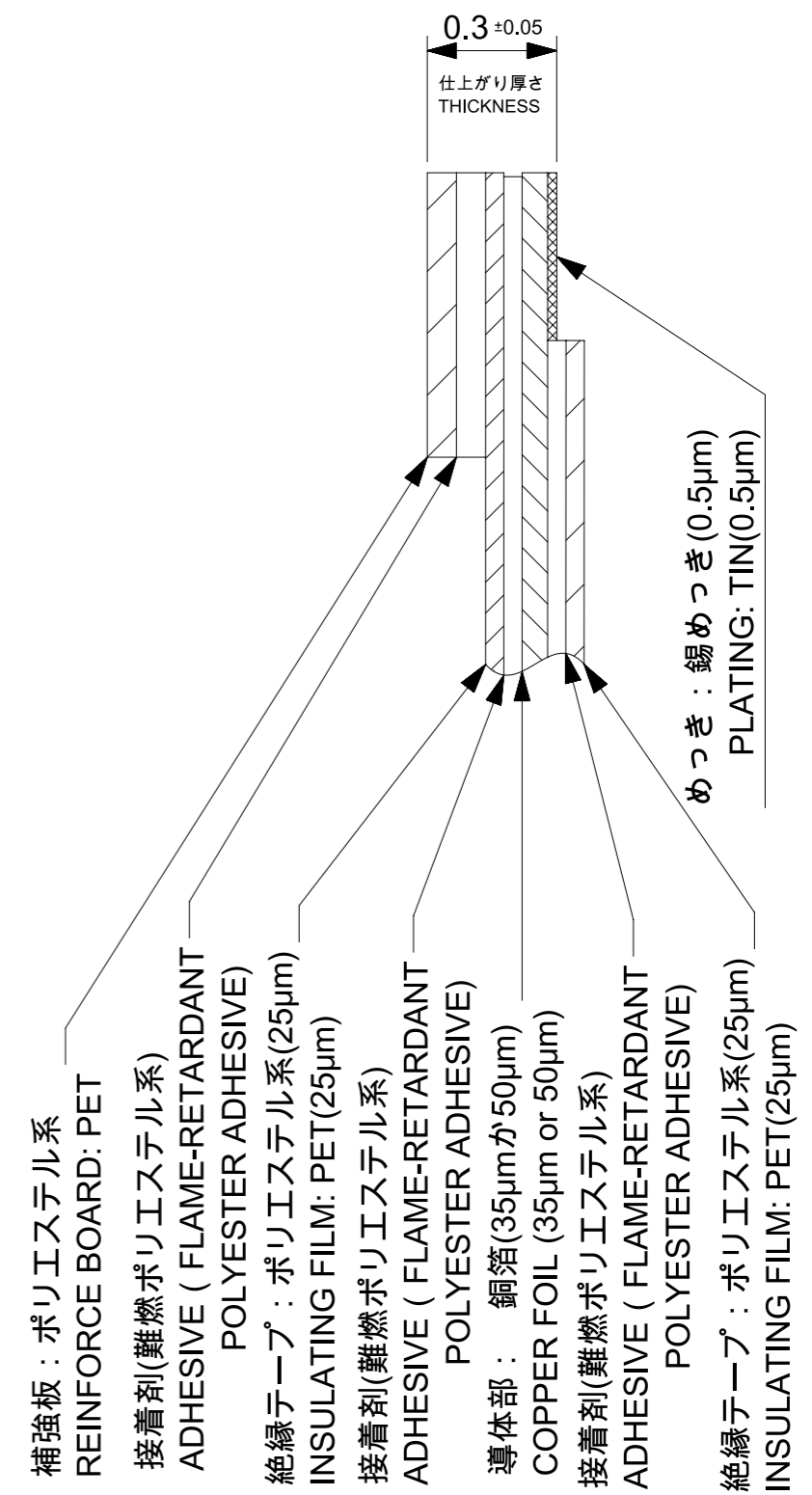
適合FPC/FFC推奨寸法
APPLICABLE FPC/FFC
RECOMMENDED DIMENSION



耳無し適合FPC/FFC推奨寸法
APPLICABLE NON-TAB FPC/FFC
RECOMMENDED DIMENSION



FPC構成推奨仕様
STRUCTURE OF FPC



FFC構成推奨仕様
STRUCTURE OF FFC

THIS DRAWING CONTAINS INFORMATION THAT IS PROPRIETARY TO MOLEX INCORPORATED AND SHOULD NOT BE USED WITHOUT WRITTEN PERMISSION

REVISED EC NO: 100298 DRWN: TMORISHITA CHK'D: KTAKAHASHI REV APPR: YNOGAWA	03/27/15	03/27/15	03/27/15	QUALITY SYMBOLS $\nabla = 0$ $\nabla = 0$ $\nabla = 0$	GENERAL TOLERANCES (UNLESS SPECIFIED) ANGULAR TOL $\pm 1.0^\circ$ 4 PLACES ± 0.2 3 PLACES ± 0.2 2 PLACES ± 0.2 1 PLACE ± 0.25 0 PLACES ± 0.3	DIMENSION UNITS		SCALE					
						MM	≠≠		DRWN BY DATE				
							TMORISHITA	02/09/15			CHK'D BY DATE		
							KTAKAHASHI	02/12/15			APPR BY DATE		
							YNOGAWA	02/12/15		PRODUCT CUSTOMER DRAWING			
								DRAWING SIZE	THIRD ANGLE PROJECTION	SERIES	MATERIAL NUMBER	CUSTOMER	
							A3			505278	SEE SHEET 1		
										DOCUMENT NUMBER	DOC TYPE	DOC PART	SHEET NUMBER
										5052781000	PSD	000	2 OF 3

注記 NOTES

1.使用材料 MATERIAL
 ハウジング :液晶ポリマー ガラス充填、UL94V-0(ベージュ)
 HOUSING LIQUID CRYSTAL POLYMER
 GLASS FILLED, UL94V-0(BEIGE)
 アクチュエータ :ポリアミド ガラス充填、UL94V-0(黒)
 ACTUATOR POLYAMIDE GLASS FILLED, UL94V-0(BLACK)
 ターミナル :リン青銅(t=0.15)
 TERMINAL PHOSPHOR BRONZE
 金具 :リン青銅(t=0.15)
 FITTING NAIL PHOSPHOR BRONZE

2.めっき仕様 PLATING
 ターミナル TERMINAL
 錫銀ビスマスめっき (1.0μm以上)
 下地:ニッケルめっき (1.0μm以上)
 TINSILVER BISMUTH PLATING
 (1.0 MICROMETER MINIMUM)
 UNDERPLATE : NICKEL OVERALL
 (1.0 MICROMETER MINIMUM)
 金具 FITTING NAIL
 錫めっき (1.0μm以上)
 下地:ニッケルめっき (1.0μm以上)
 TIN PLATING (1.0 MICROMETER MIN.)
 UNDER PLATING : NICKEL PLATING
 (1.0 MICROMETER MIN.)

3.エンボステーパ梱包時は、アクチュエータが閉じた状態とする。
 IN THE PACKAGE, ACTUATOR OF PART SHOULD BE CLOSED.

4. パターン剥離止め用金具
 FITTING NAIL FOR PREVENTION OF PEELING OF P.C.B. PATTERN.

5. R0.3はFPC/FFC導体部にかからないこと。
 R0.3 MUST NOT BE OVERLAPPED TO PATTERN OF FPC/FFC.

6.N:極数 N:CIRCUIT.

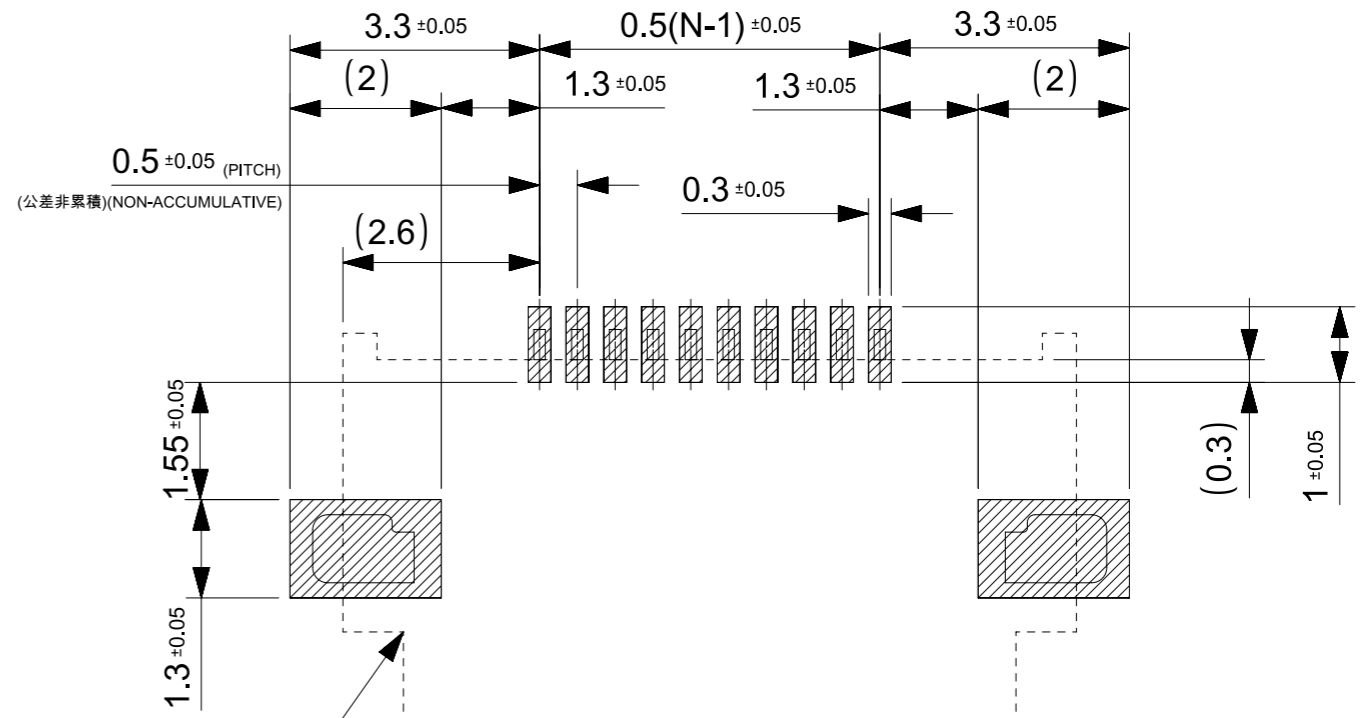
7.ELV及びRoHS適合品
 ELV AND RoHS COMPLIANT

8.テールと金具を併せた平坦度は0.1以下とする。
 TAILS AND NAILS COPLANALITY TO BE 0.1 MAX.

9. トレードマーク :Mプラス2文字の製造工場を示すアルファベットにて表示
 但し,"J"はJAPANを"L"はMALAYSIAを示す。
 (例MXJまたはMXL)

キャビティー番号 :1桁から2桁の数字にて表示
 金型番号 :アルファベット1文字にて表示(例 A,B等)
 TRADEMARK:DISPLAY BY M PLUS 2LETTERS OF ALPHABET
 WHICH MEAN THE MANUFACTURE.
 BUT "J" MEANS JAPAN. "L" MEANS MALAYSIA (TO TRADE MARK)
 (e.g. MXJ OR MXL)
 AND BY 1 OR 2 DIGIT NUMBER (TO CAVITY NO.)
 AND BY 1 LETTER OF ALPHABET (TO MOLD NO.)
 (e.g. A,B etc)

10. アクチュエータのトレードマーク及び金型番号とキャビティー番号の位置は
 キャビティー番号奇数の時:本図の通り。
 キャビティー番号偶数の時:本図の逆位置に配置。
 POSITION OF TRADE MARK, MOLD & CAVITY NO. ON THE ACTUATOR
 WHEN CAVITY NO. IS ODD :AS DROWING.
 WHEN CAVITY NO. IS EVEN :REVERCE OF DROWING.



コネクタ位置 (CONNECTOR POSITION)
 推奨基板レイアウト RECOMENDED P.W.B. PATTERN LAYOUT
 参考マスク厚 : 100μm REFERENCE SCREEN THICKNESS : 100μm
 参考マスク開口率 : 100% REFERENCE SCREEN OPEN RATIO : 100%

FPC/FFCについて ABOUT FFC

打ち抜き方向は導体側から補強板側を推奨します。
 導体部については軟箔銅35μmまたは50μmを推奨します。
 FFCに規定された定格温度がFFC単体前提である場合が御座います。
 コネクタと組み合わせての実使用において、接着層が劣化するなどの信頼性を満足できないケースを回避するため、
 実機での評価/確認をお願いいたします。
 RECOMMENDED PUNCHING DIRECTION : FROM CONDUCTOR SIDE TO STIFFENER SIDE
 RECOMMENDED CONDUCTOR SPEC : SOFT COPPER FOIL
 RECOMMENDED CONDUCTOR THICKNESS : 35 MICROMETER OR 50 MICROMETER
 NOTE: WHEN ACTUALLY USING IT WITH CONNECTOR, PLEASE DO THE EVALUATION AND THE CONFIRMATION WITH AN ACTUAL EQUIPMENT TO EVADE THE CASE WHERE RELIABILITY CANNOT BE FILLED (THE ADHESIVE LINE OF FFC IS DETERIORATED ETC.)

FPCについて ABOUT FPC

補強フィルム材質はポリイミドを推奨します。ベースフィルムは25μmを推奨します。
 接着剤は熱硬化接着剤を推奨します。
 尚、接着剤の接点部への付着は導通不良の原因になりますので、染み出しが無い様お願い致します。
 RECOMMENDED MATERIAL/THICKNESS.
 RECOMMENDED STIFFENER MATERIAL: POLYIMIDE
 RECOMMENDED BASE FILM THICKNESS: 25 MICROMETER
 RECOMMENDED ADHESIVE: THERMOSETTING ADHESIVE
 NOTE: PLEASE PUT APPROPRIATE AMOUNT OF ADHESIVE ON ADHEREND BECAUSE THERE IS A POSSIBILITY THAT THE EXTRA ADHESIVE CAUSES THE DEFECT IN ELECTRICAL CONTINUITY.
 THERE IS A POSSIBILITY THAT THE PRESCRIPT TEMPERATURE OF FFC IS SET TO SINGLE IT.

THIS DRAWING CONTAINS INFORMATION THAT IS PROPRIETARY TO MOLEX INCORPORATED AND SHOULD NOT BE USED WITHOUT WRITTEN PERMISSION													
REVISED	EC NO: 100298	03/27/15	03/27/15	03/27/15	QUALITY SYMBOLS	GENERAL TOLERANCES (UNLESS SPECIFIED)		DIMENSION UNITS	SCALE				
	DRWN: TMORISHITA	03/27/15	03/27/15	03/27/15		MM	10:1						
	CHK'D: KTAKAHASHI	03/27/15	03/27/15	03/27/15		ANGULAR TOL ± 1.0 °	DRWN BY DATE						
	APPR: YNOGAWA	03/27/15	03/27/15	03/27/15		4 PLACES ± 0.2	TMORISHITA 02/09/15						
					▽ = 0	3 PLACES ± 0.2	CHK'D BY DATE			0.5 FFC CONN ZIF E/O BTM CONT TYPE ASSY			
					▽ = 0	2 PLACES ± 0.2	KTAKAHASHI 02/12/15						
					▽ = 0	1 PLACE ± 0.25	APPR BY DATE					PRODUCT CUSTOMER DRAWING	
						0 PLACES ± 0.3	YNOGAWA 02/12/15					SERIES	MATERIAL NUMBER
						DRAFT WHERE APPLICABLE MUST REMAIN WITHIN DIMENSIONS		DRAWING SIZE	THIRD ANGLE PROJECTION	505278	SEE SHEET 1		
								A3		DOCUMENT NUMBER	DOC TYPE	DOC PART	SHEET NUMBER
										5052781000	PSD	000	3 OF 3