



Chipsmall Limited consists of a professional team with an average of over 10 year of expertise in the distribution of electronic components. Based in Hongkong, we have already established firm and mutual-benefit business relationships with customers from,Europe,America and south Asia,supplying obsolete and hard-to-find components to meet their specific needs.

With the principle of "Quality Parts,Customers Priority,Honest Operation,and Considerate Service",our business mainly focus on the distribution of electronic components. Line cards we deal with include Microchip,ALPS,ROHM,Xilinx,Pulse,ON,Everlight and Freescale. Main products comprise IC,Modules,Potentiometer,IC Socket,Relay,Connector.Our parts cover such applications as commercial,industrial, and automotives areas.

We are looking forward to setting up business relationship with you and hope to provide you with the best service and solution. Let us make a better world for our industry!



Contact us

Tel: +86-755-8981 8866 Fax: +86-755-8427 6832

Email & Skype: info@chipsmall.com Web: www.chipsmall.com

Address: A1208, Overseas Decoration Building, #122 Zhenhua RD., Futian, Shenzhen, China



4

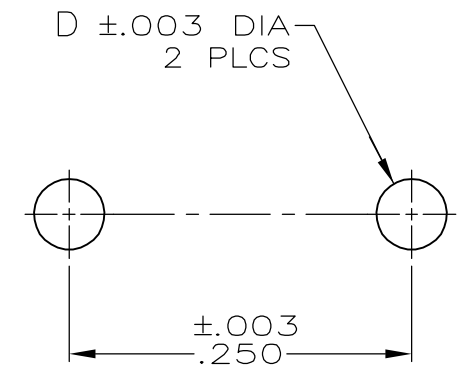
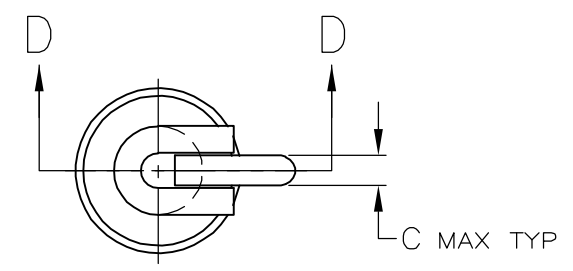
3

2

1

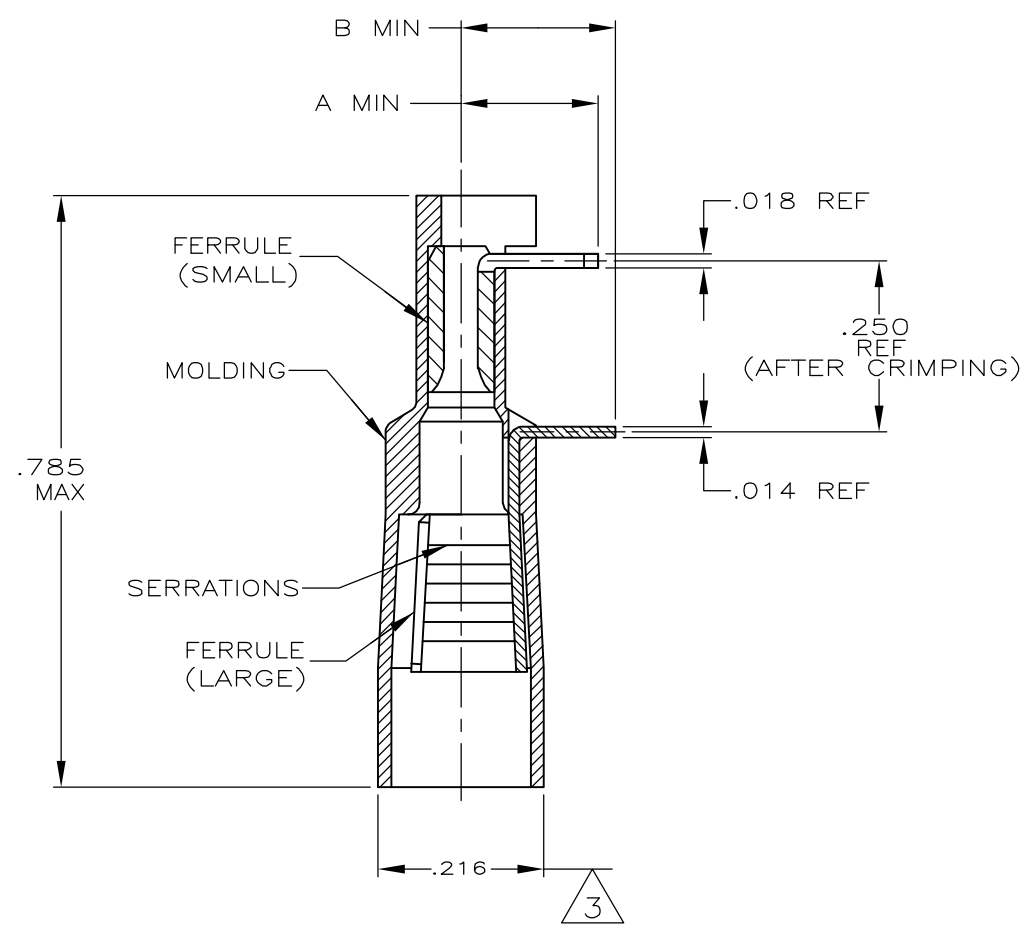
THIS DRAWING IS UNPUBLISHED. RELEASED FOR PUBLICATION
 © COPYRIGHT - BY TYCO ELECTRONICS CORPORATION. ALL RIGHTS RESERVED.

LOC	DIST	REVISIONS					
		P	LTR	DESCRIPTION	DATE	DWN	APVD
AJ	16		0	REV PER EC-0S14-0496-04	31JAN2005	AF	JL



1. LARGE FERRULE: FOR .110 MAX DIA BRAID
2. SMALL FERRULE: FOR #26 TO #28 AWG WIRE
3. THE AVERAGE OF THE OUT OF ROUNDNESS DIMENSIONS MUST FALL WITHIN THE SPECIFIED TOLERANCE
4. MATERIAL:
 MOLDING: NYLON PER MIL-M-20693
 LARGE FERRULE: BRASS PER ASTM-B-36
 SMALL FERRULE: COPPER PER QQ-C-576
5. FINISH:
 MOLDING: COLOR-NATURAL
 LARGE FERRULE: MATTE TIN PL PER ASTM-B-545 .000040 MIN THK OVER NICKEL PL PER QQ-N-290
 SMALL FERRULE: MATTE TIN PL PER ASTM-B-545

6. INSTRUCTION SHEET NO.: 408-2469



SECTION D-D

FOR 1/8" BOARD	.155 OZ	LOOSE PIECE	.046	.042	.260	.255	5053230-3
USE	WEIGHT	PACKAGED	D	C	B	A	ASSY NO
THIS DRAWING IS A CONTROLLED DOCUMENT.		DWN A. FERNANDEZ-DOCK5 31JAN2005	Tyco Electronics Corporation Harrisburg, PA 17105-3608				
DIMENSIONS: INCHES		CHK J. HAVENER 31JAN2005	NAME TERMASHIELD ASSY,PRE-INSULATED, FUNNEL ENTRY				
TOLERANCES UNLESS OTHERWISE SPECIFIED:		APVD J. LIPPERT 31JAN2005	PRODUCT SPEC				
0 PLC ± - 1 PLC ± - 2 PLC ± - 3 PLC ± .008 4 PLC ± - ANGLES ± 5°		APPLICATION SPEC		RESTRICTED TO			
MATERIAL		WEIGHT		SIZE	CAGE CODE	DRAWING NO	
4		-		A3	00779	C-5053230	
FINISH		CUSTOMER DRAWING		SCALE	SHEET	OF	REV
5				4:1	1	1	0