



Chipsmall Limited consists of a professional team with an average of over 10 year of expertise in the distribution of electronic components. Based in Hongkong, we have already established firm and mutual-benefit business relationships with customers from,Europe,America and south Asia,supplying obsolete and hard-to-find components to meet their specific needs.

With the principle of “Quality Parts,Customers Priority,Honest Operation,and Considerate Service”,our business mainly focus on the distribution of electronic components. Line cards we deal with include Microchip,ALPS,ROHM,Xilinx,Pulse,ON,Everlight and Freescale. Main products comprise IC,Modules,Potentiometer,IC Socket,Relay,Connector.Our parts cover such applications as commercial,industrial, and automotives areas.

We are looking forward to setting up business relationship with you and hope to provide you with the best service and solution. Let us make a better world for our industry!



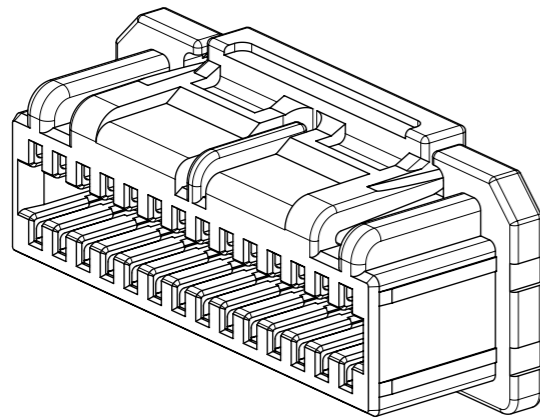
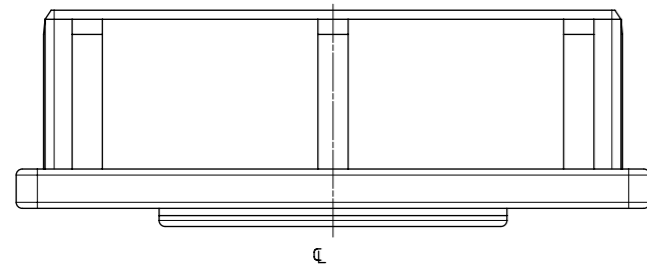
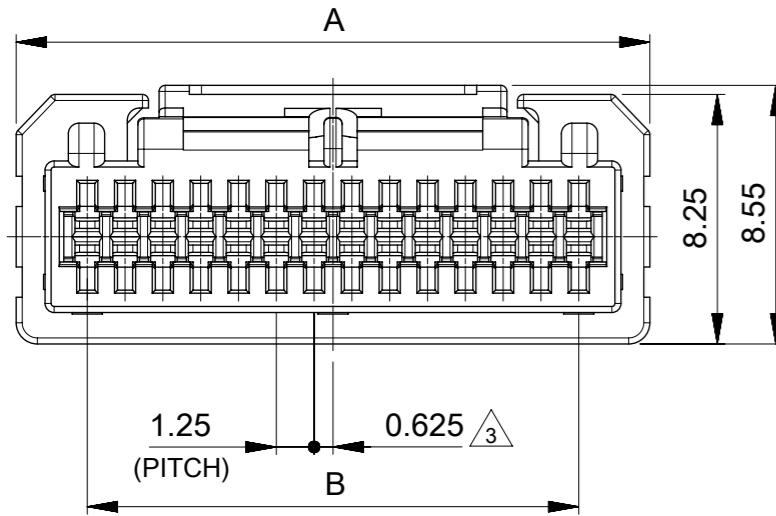
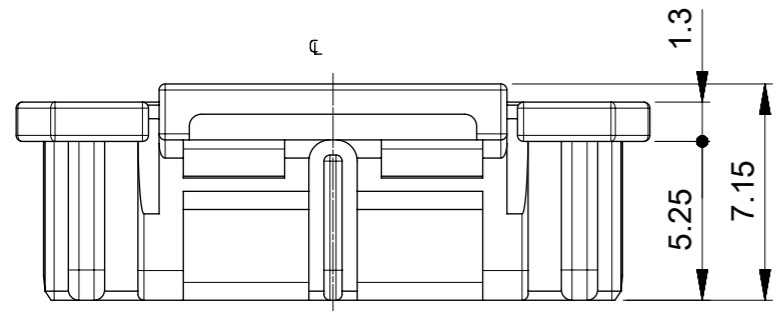
Contact us

Tel: +86-755-8981 8866 Fax: +86-755-8427 6832

Email & Skype: info@chipsmall.com Web: www.chipsmall.com

Address: A1208, Overseas Decoration Building, #122 Zhenhua RD., Futian, Shenzhen, China

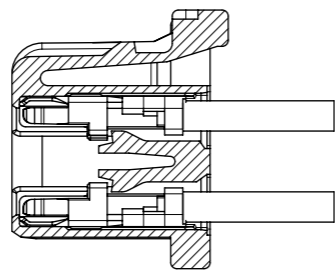
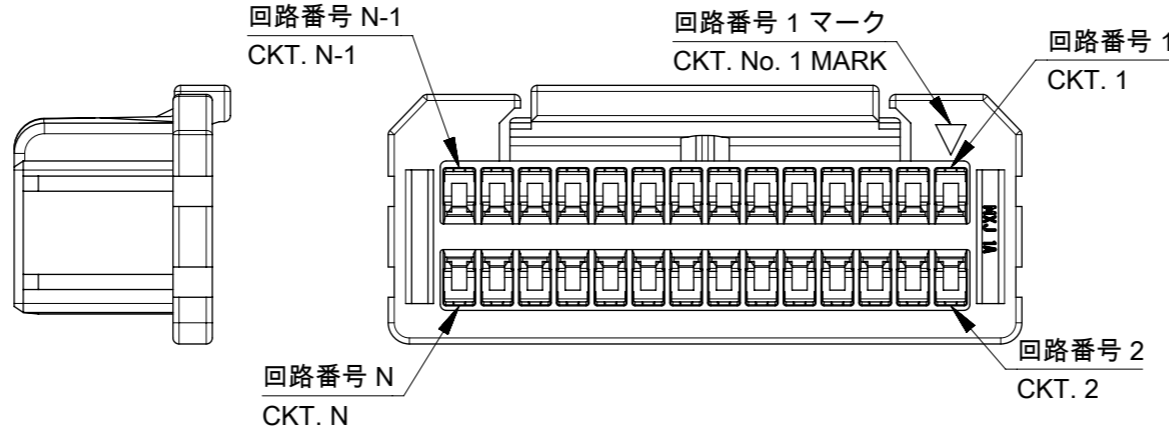




NOTES

1. 適合ターミナル : 5054311000
APPLICABLE TERMINAL : 5054311000
2. 嵌合相手 : 505433****/505448****
MATE WITH : 505433****/505448****
3. 極数 / 2 = 偶数に適用。
APPLY FOR CKT. SIZE / 2 = EVEN.

4. 本製品のプラスチック部に黒点等が確認される場合や色合いが異なる場合がありますが、製品性能に影響はありません。
THERE IS NO INFLUENCE IN THE PRODUCT PERFORMANCE THOUGH THE BLACK SPOT ETC. MIGHT BE CONFIRMED TO THE PLASTIC PART OF THIS PRODUCT AND THE SHADE MIGHT BE DIFFERENT.
5. コネクタの詳細な取り扱いにつきましては、アプリケーション仕様書(AS-505432-001, -002)を参照して下さい。
PLEASE REFER TO THE APPLICATION SPECIFICATION (AS-505432-001, -002) ABOUT THE DETAILED HANDLING OF THE CONNECTOR.
6. コネクタの仕様につきましては、製品仕様書(5054320000PS002)を参照して下さい。
PLEASE REFER TO THE PRODUCT SPECIFICATION (5054320000PS002) ABOUT THE SPECIFICATION OF THE CONNECTOR.
7. 製品番号 MATERIAL No.



ターミナル装着図
TERMINAL ASSEMBLY DRAWING

505432**0*
極数 ↑ 色 ↑
CIRCUIT SIZE COLOR

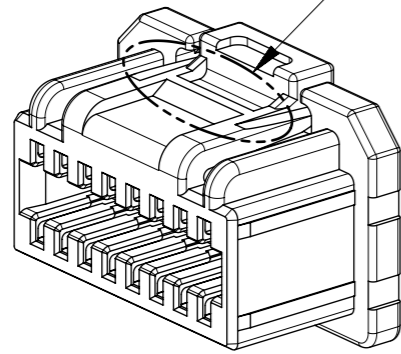
NO.	COLOR
0	NATURAL
1	BLACK
2	RED
4	BLUE
6	GREEN

		COLOR:GREEN	COLOR:BLUE	COLOR:RED	COLOR:BLACK	COLOR:NATURAL	
25.00	29.70	5054324206	5054324204	5054324202	5054324201	5054324200	42
23.75	28.45	5054324006	5054324004	5054324002	5054324001	5054324000	40
22.50	27.20	5054323806	5054323804	5054323802	5054323801	5054323800	38
21.25	25.95	5054323606	5054323604	5054323602	5054323601	5054323600	36
20.00	24.70	5054323406	5054323404	5054323402	5054323401	5054323400	34
18.75	23.45	5054323206	5054323204	5054323202	5054323201	5054323200	32
17.50	22.20	5054323006	5054323004	5054323002	5054323001	5054323000	30
16.25	20.95	5054322806	5054322804	5054322802	5054322801	5054322800	28
15.00	19.70	5054322606	5054322604	5054322602	5054322601	5054322600	26
13.75	18.45	5054322406	5054322404	5054322402	5054322401	5054322400	24
12.50	17.20	5054322206	5054322204	5054322202	5054322201	5054322200	22
11.25	15.95	5054322006	5054322004	5054322002	5054322001	5054322000	20
10.00	14.70	5054321806	5054321804	5054321802	5054321801	5054321800	18
8.75	13.45	5054321606	5054321604	5054321602	5054321601	5054321600	16
7.50	12.20	5054321406	5054321404	5054321402	5054321401	5054321400	14
6.25	10.95	5054321206	5054321204	5054321202	5054321201	5054321200	12
5.00	9.70	5054321006	5054321004	5054321002	5054321001	5054321000	10
3.75	8.45	5054320806	5054320804	5054320802	5054320801	5054320800	8
B	A	ポリ袋	ポリ袋	ポリ袋	ポリ袋	ポリ袋	極数 CKT No.
		POLYBAG PACKAGE	POLYBAG PACKAGE	POLYBAG PACKAGE	POLYBAG PACKAGE	POLYBAG PACKAGE	
		オーダー番号	オーダー番号	オーダー番号	オーダー番号	オーダー番号	
		ORDER NO.	ORDER NO.	ORDER NO.	ORDER NO.	ORDER NO.	

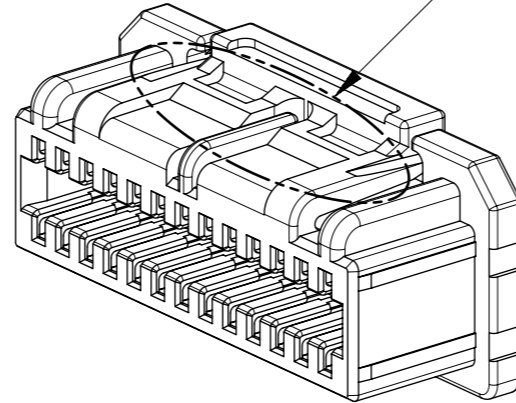
THIS DRAWING CONTAINS INFORMATION THAT IS PROPRIETARY TO MOLEX ELECTRONIC TECHNOLOGIES, LLC AND SHOULD NOT BE USED WITHOUT WRITTEN PERMISSION

DIMENSION UNITS	SCALE	CURRENT REV DESC: REVISED		molex			
mm	4:1						
GENERAL TOLERANCES (UNLESS SPECIFIED)		EC NO: 601895		MICRO-LOCK PLUS 1.25 W/B DUAL ROW RECEPTACLE HOUSING			
ANGULAR TOL	± 3.0°	DRWN: TAKAIKE 2018/07/25		PRODUCT CUSTOMER DRAWING			
4 PLACES	± 0.2	CHK'D: KOMURAKAMI 2018/07/26		DOCUMENT NUMBER			
3 PLACES	± 0.2	APPR: TKANEKO 2018/07/26		5054320000		DOC TYPE	
2 PLACES	± 0.2	INITIAL REVISION:		PSD	000	REVISION	
1 PLACE	± 0.2	DRWN: TAKAIKE 2017/02/10		C			
0 PLACES	± 0.2	APPR: TKANEKO 2017/04/03					
DRAFT WHERE APPLICABLE MUST REMAIN WITHIN DIMENSIONS		THIRD ANGLE PROJECTION	DRAWING	SERIES	MATERIAL NUMBER	CUSTOMER	SHEET NUMBER
			A3-SIZE	505432	GENERAL		1 OF 2

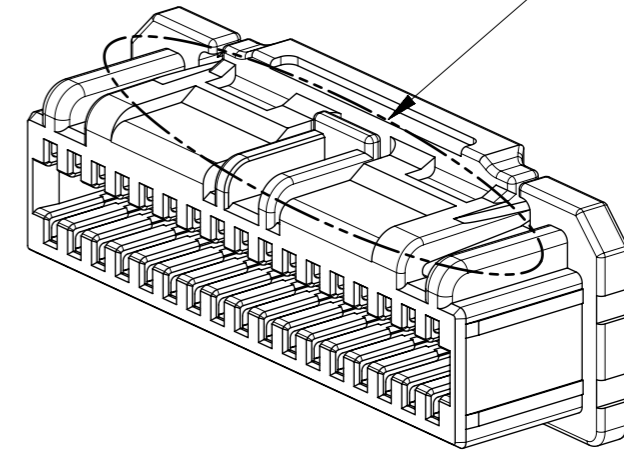
8-24CKT. ロック形状
LOCK SHAPE OF 8-24P



26-32CKT. ロック形状
LOCK SHAPE OF 26-32P



34-42CKT. ロック形状
LOCK SHAPE OF 34-42P



THIS DRAWING CONTAINS INFORMATION THAT IS PROPRIETARY TO MOLEX ELECTRONIC TECHNOLOGIES, LLC AND SHOULD NOT BE USED WITHOUT WRITTEN PERMISSION											
DIMENSION UNITS mm		SCALE NTS 4:1		CURRENT REV DESC: REVISED				molex		MICRO-LOCK PLUS 1.25 W/B DUAL ROW RECEPTACLE HOUSING	
GENERAL TOLERANCES (UNLESS SPECIFIED)		ANGULAR TOL ± 3.0°		EC NO: 601895							
4 PLACES ± 0.2		3 PLACES ± 0.2		DRWN: TAKAIKE		2018/07/25		PRODUCT CUSTOMER DRAWING			
2 PLACES ± 0.2		1 PLACE ± 0.2		CHK'D: KOMURAKAMI		2018/07/26					
0 PLACES ± 0.2		INITIAL REVISION:		APPR: TKANEKO		2018/07/26		DOCUMENT NUMBER 5054320000			
DRAFT WHERE APPLICABLE MUST REMAIN WITHIN DIMENSIONS		THIRD ANGLE PROJECTION 		DRWN: TAKAIKE		2017/02/10					DOC TYPE PSD
		DRAWING A3-SIZE		SERIES 505432		MATERIAL NUMBER		CUSTOMER GENERAL		SHEET NUMBER 2 OF 2	