



Chipsmall Limited consists of a professional team with an average of over 10 year of expertise in the distribution of electronic components. Based in Hongkong, we have already established firm and mutual-benefit business relationships with customers from,Europe,America and south Asia,supplying obsolete and hard-to-find components to meet their specific needs.

With the principle of "Quality Parts,Customers Priority,Honest Operation,and Considerate Service",our business mainly focus on the distribution of electronic components. Line cards we deal with include Microchip,ALPS,ROHM,Xilinx,Pulse,ON,Everlight and Freescale. Main products comprise IC,Modules,Potentiometer,IC Socket,Relay,Connector.Our parts cover such applications as commercial,industrial, and automotives areas.

We are looking forward to setting up business relationship with you and hope to provide you with the best service and solution. Let us make a better world for our industry!



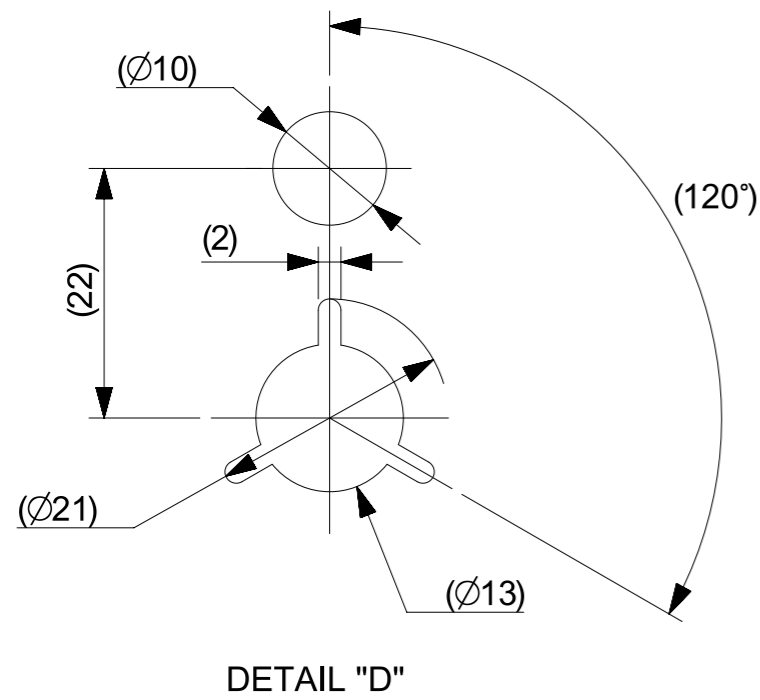
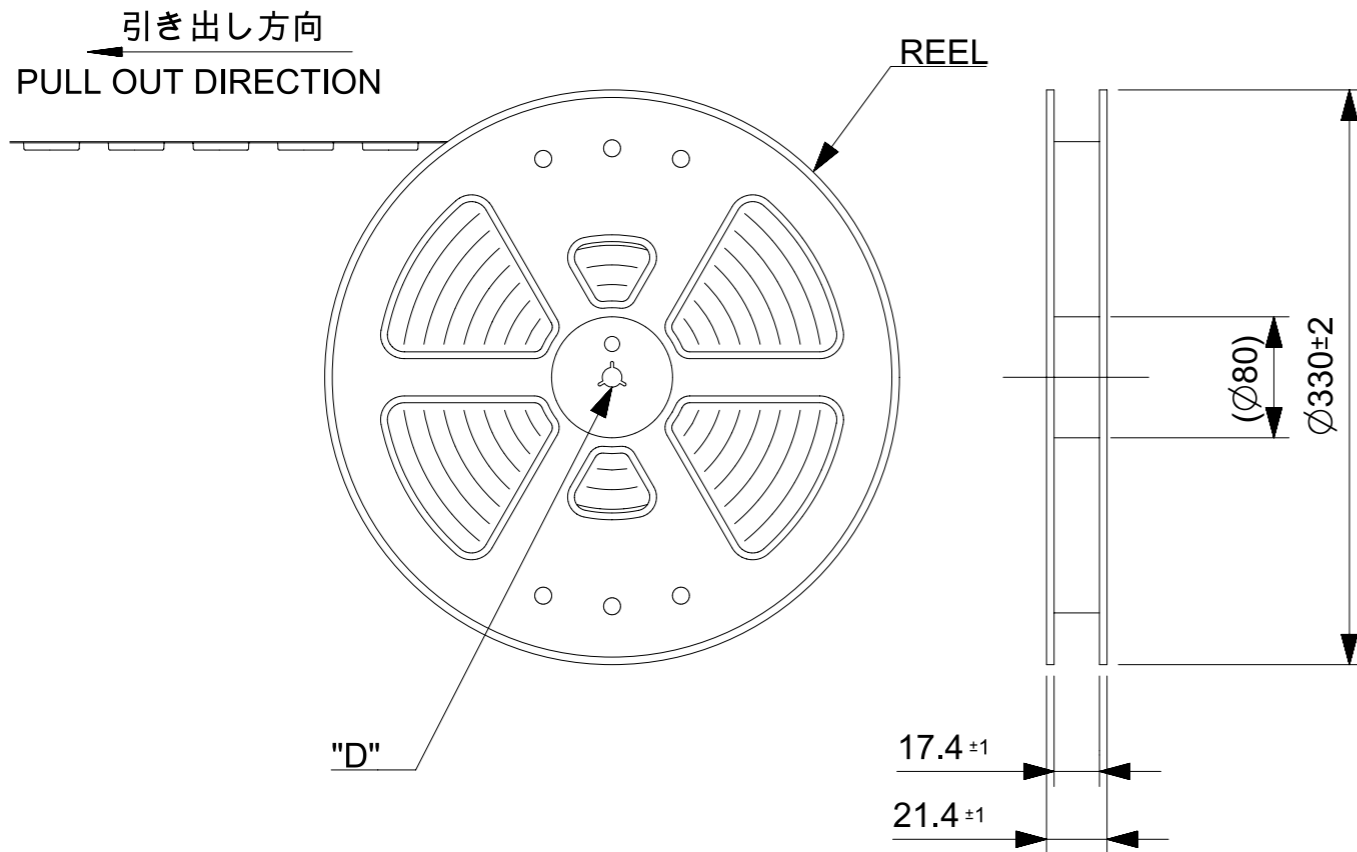
## Contact us

Tel: +86-755-8981 8866 Fax: +86-755-8427 6832

Email & Skype: info@chipsmall.com Web: www.chipsmall.com

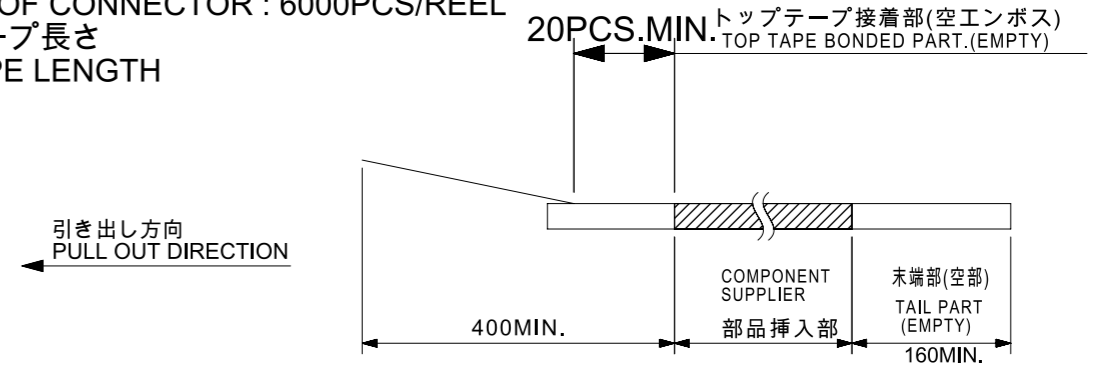
Address: A1208, Overseas Decoration Building, #122 Zhenhua RD., Futian, Shenzhen, China





NOTES:

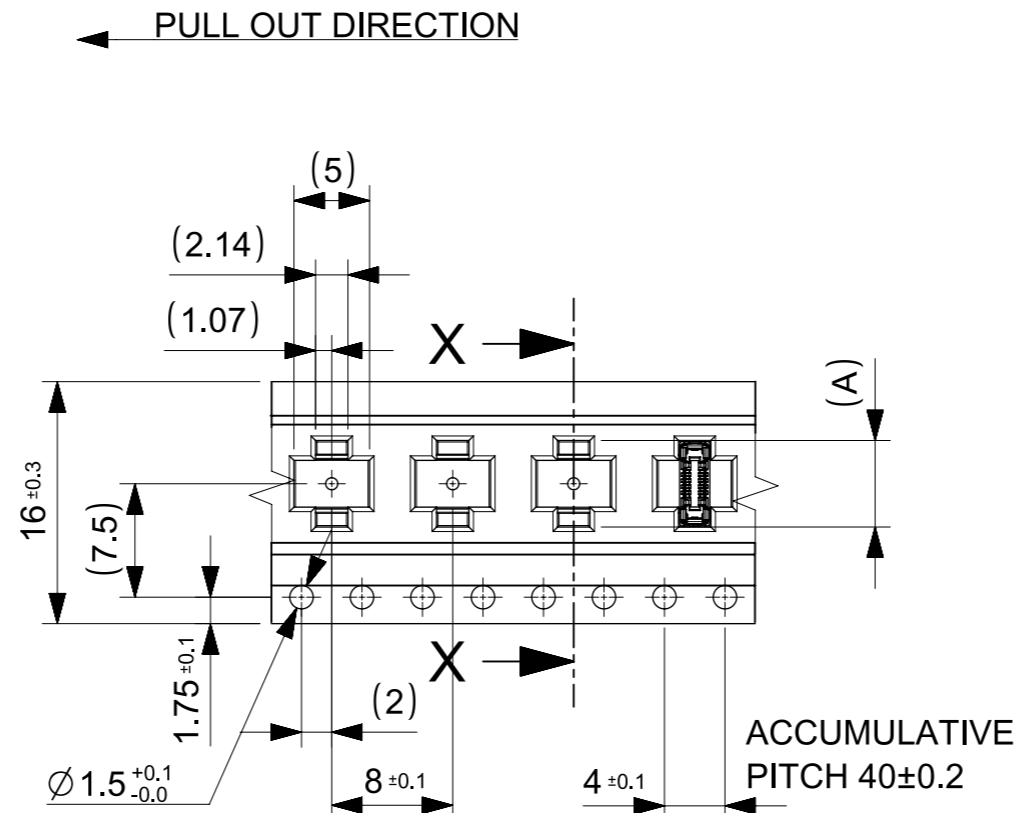
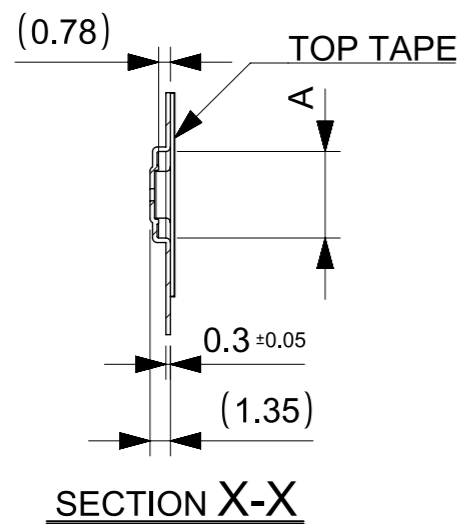
1. 詳細寸法については製品単体図面を参照ください。  
RE DETAILED DIMENSION, SEE SALES DRAWING FOR CONNECTOR
2. 梱包数量 : 6000個/リール  
NUMBER OF CONNECTOR : 6000PCS/REEL
3. リードテープ長さ  
LEAD TAPE LENGTH



4. トップテープ剥離強度はIEC60286-3.準拠  
PEEL-OFF FORCE OF TOP TAPE : BASED UPON IEC60286-3.
5. MATERIAL  
CARRIER TAPE : POLYSTYREN(P.S)  
TOP TAPE : PET , OHTER  
REEL : POLYSTYREN (PS) [RECYCLE MATERIAL CONTAINED]
6. ELV AND RoHS COMPLIANT

MODEL NO. 505473\*\*10

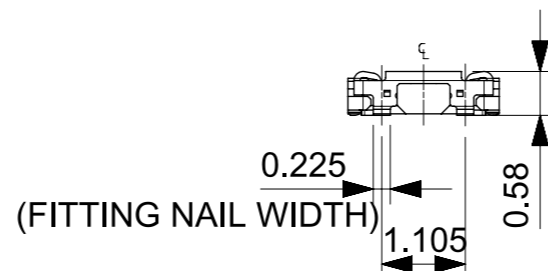
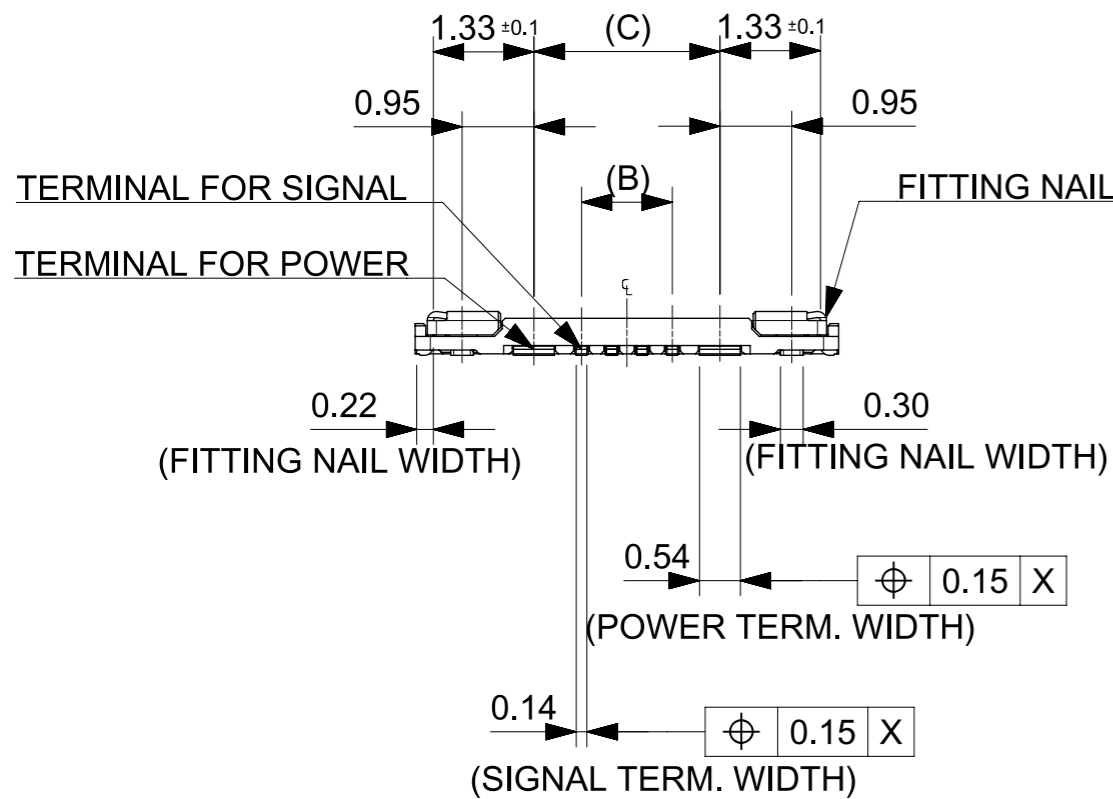
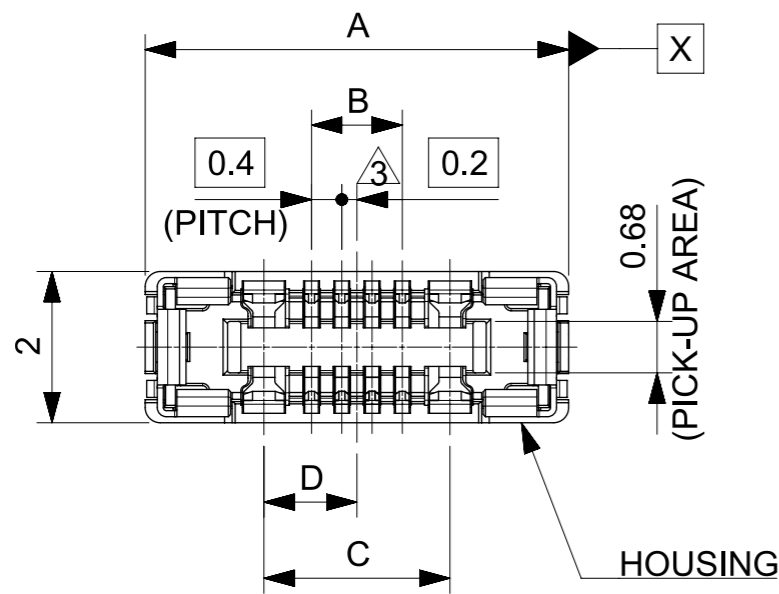
THIS DRAWING CONTAINS INFORMATION THAT IS PROPRIETARY TO MOLEX INCORPORATED AND SHOULD NOT BE USED WITHOUT WRITTEN PERMISSION									
EC DESCRIPTION EC NO: 101345 DRWN: GMATSUNO CHK'D: KTANAKA03 APPR: KMORIKAWA	GENERAL TOLERANCES (UNLESS SPECIFIED)			DIMENSION UNITS	SCALE	<b>molex</b>			
	ANGULAR TOL $\pm 3.0^\circ$			MM	1:5				
	4 PLACES	$\pm 0.03$	DRWN BY	DATE		0.4 BB CONN. RB REC. ASSY EMBSTP PKG			
	3 PLACES	$\pm 0.03$	GMATSUNO	2015/08/20					
	2 PLACES	$\pm 0.05$	CHK'D BY	DATE		PRODUCT CUSTOMER DRAWING			
1 PLACE	$\pm 0.1$	KTANAKA03	2015/10/08						
0 PLACES	$\pm 0.2$	APPR BY	DATE		SERIES	MATERIAL NUMBER	CUSTOMER		
DRAFT WHERE APPLICABLE MUST REMAIN WITHIN DIMENSIONS		DRAWING SIZE	THIRD ANGLE PROJECTION		505473	SEE CHART	GENERAL		
A	REV	A3			DOCUMENT NUMBER		DOC TYPE	DOC PART	SHEET NUMBER
					5054730000	PSD	000	1 OF 2	



16	5.72	4	8	5054731210	---	---	12
	5.32	4	6	5054731010	○	---	10
	4.92	4	4	5054730810	○	---	8
キャリアテープ幅 CARRIER TAPE WIDTH	A	FOR POWER	FOR SIGNAL	EMBOSSED TAPE PACKAGE	HIGH VOL. TOOL	LOW VOL. TOOL	CIRCUIT
		USAGE		ORDER NO.	SAMPLE PREPARATION ○ : TOOLED △ : WORK IN PROCESS --- : TOOLING TO BE CONFIRMED		

THIS DRAWING CONTAINS INFORMATION THAT IS PROPRIETARY TO MOLEX INCORPORATED AND SHOULD NOT BE USED WITHOUT WRITTEN PERMISSION

EC NO: 101345 DRWN: GMATSUNO CHK'D: KTANAKA03 APPR: KMORIKAWA	2015/08/20	GENERAL TOLERANCES (UNLESS SPECIFIED)		DIMENSION UNITS	SCALE		
	2015/10/08	ANGULAR TOL ± 3.0 °		MM	2:1		
	2015/10/13	4 PLACES ± 0.03	DRWN BY	GMATSUNO	DATE		2015/08/20
		3 PLACES ± 0.03	CHK'D BY	KTANAKA03	DATE		2015/10/08
		2 PLACES ± 0.05	APPR BY	KMORIKAWA	DATE		2015/10/13
	1 PLACE ± 0.1	DRAFT WHERE APPLICABLE MUST REMAIN WITHIN DIMENSIONS		DRAWING SIZE	THIRD ANGLE PROJECTION	PRODUCT CUSTOMER DRAWING SERIES: 505473 MATERIAL NUMBER: SEE CHART CUSTOMER: GENERAL DOCUMENT NUMBER: 5054730000 DOC TYPE: PSD DOC PART: 000 SHEET NUMBER: 2 OF 2	
	0 PLACES ± 0.2	A3					



NOTES

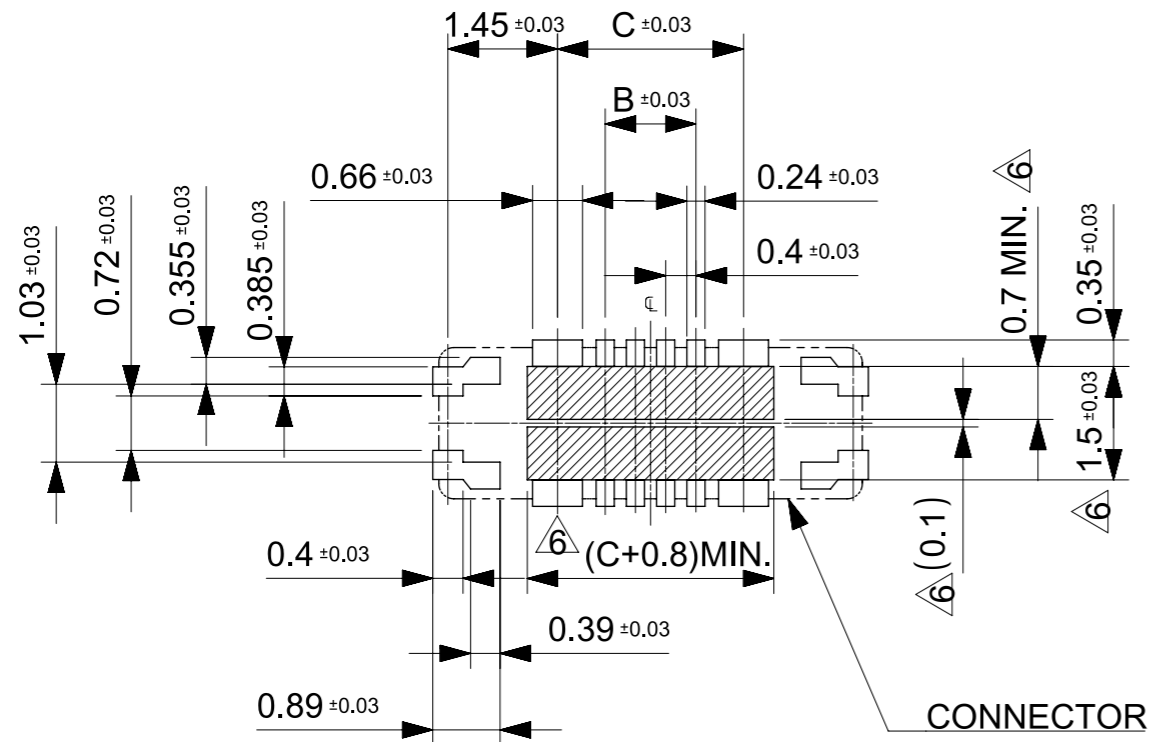
- MATERIAL  
 HOUSING : LIQUID CRYSTAL POLYMER UL94V-0(COLOR : BLACK)  
 TERMINAL FOR SIGNAL CIRCUIT : COPPER ALLOY  
 TERMINAL FOR POWER CIRCUIT : COPPER ALLOY  
 FITTING NAIL : COPPER ALLOY
- PLATING  
 TERMINAL FOR SIGNAL AND POWER CIRCUIT:  
 GOLD  
 UNDER PLATING : NICKEL  
 \*DIVIDE INTO PARTS THE GOLD PLATING OF THE CONTACT AND THE TAIL PART BY THE NICKEL PLATING.  
 FITTING NAIL:  
 GOLD(SOLDER TAIL)  
 UNDER PLATING : NICKEL
- APPLY FOR (CIRCUIT/2)=EVEN.
- MATE WITH:505476 SERIES.
- TAIL AND FITTING NAIL COPLANARITY TO BE 0.08 MAXIMUM.
- PROHIBITED AREA OF PATTERN WIRING AND SOLDER.  
 (FOR EACH AREA, THE WIRING THAT TOUCHES ON THE SOLDER CAN BE ATTACHED, THEN COVERED WITH A FILM TO KEEP SOLDER OUT.)
- ELV and RoHS COMPLIANT.

1.23	2.46	1.2	5.6	4	8	5054731210	---	---	12
1.03	2.06	0.8	5.2	4	6	5054731010	○	---	10
0.83	1.66	0.4	4.8	4	4	5054730810	○	---	8
D	C	B	A	FOR POWER	FOR SIGNAL	EMBOSSSED TAPE PACKAGE	HIGH VOL. TOOL	LOW VOL. TOOL	CIRCUIT
USAGE						ORDER NO.	SAMPLE PREPARATION ○ : TOOLED △ : WORK IN PROCESS ---: TOOLING TO BE CONFIRMED		

CONNECTOR SERIES No. : 505473\*\*09

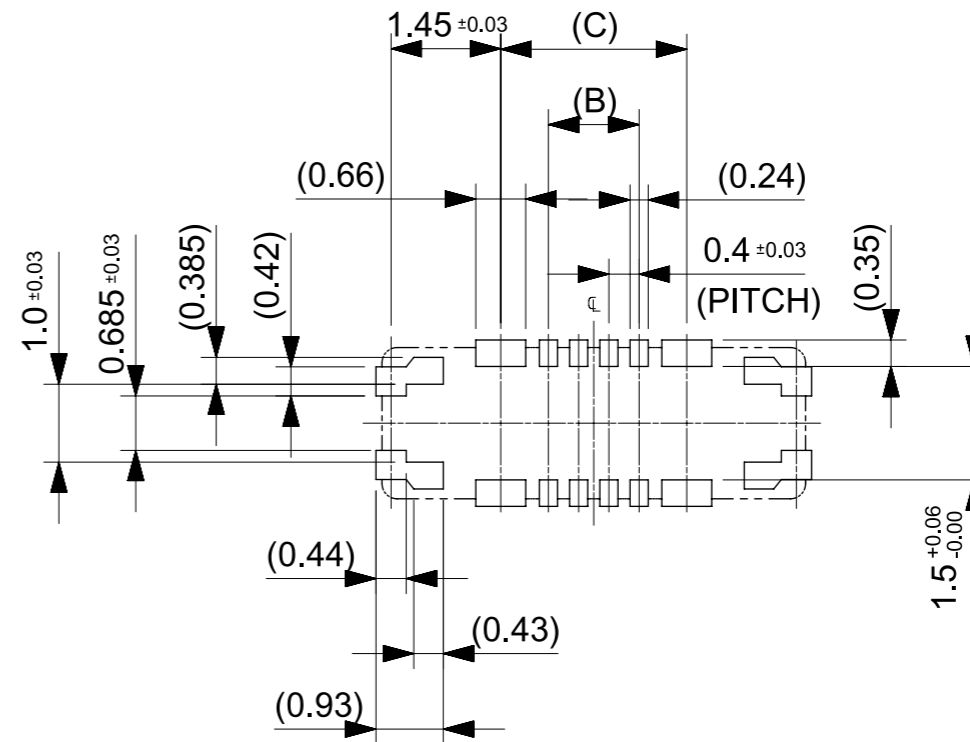
THIS DRAWING CONTAINS INFORMATION THAT IS PROPRIETARY TO MOLEX INCORPORATED AND SHOULD NOT BE USED WITHOUT WRITTEN PERMISSION

EC NO: 101345 DRWN: GMATSUNO CHK'D: KTANAKA03 APPR: KMORIKAWA	2015/07/16 2015/10/08 2015/10/13	GENERAL TOLERANCES (UNLESS SPECIFIED) ANGULAR TOL ± 3.0 °	DIMENSION UNITS: MM SCALE: 10:1		
	4 PLACES ± 0.03 3 PLACES ± 0.03 2 PLACES ± 0.05 1 PLACE ± 0.1 0 PLACES ± 0.2	DRWN BY: GMATSUNO DATE: 2015/07/16	CHK'D BY: KTANAKA03 DATE: 2015/10/08		PRODUCT CUSTOMER DRAWING
	DRAFT WHERE APPLICABLE MUST REMAIN WITHIN DIMENSIONS	APPR BY: KMORIKAWA DATE: 2015/10/13	DRAWING SIZE: A3 THIRD ANGLE PROJECTION		SERIES: 505473 MATERIAL NUMBER: SEE CHART CUSTOMER: GENERAL
	A	EC DESCRIPTION	DIMENSION UNITS: MM SCALE: 10:1		DOCUMENT NUMBER: 5054731000 DOC TYPE: PSD DOC PART: 000 SHEET NUMBER: 1 OF 2



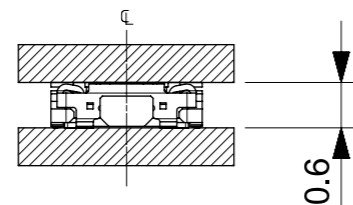
RECOMMENDED P.W.BOARD PATTERN LAYOUT (REFERENCE)

⚠ PROHIBITED AREA OF PATTERN WIRING AND SOLDER.  
 (FOR EACH AREA, THE WIRING THAT TOUCHES ON THE SOLDER CAN BE ATTACHED, THEN COVERED WITH A FILM TO KEEP SOLDER OUT.)



RECOMMENDED METAL MASK LAYOUT (REFERENCE)

RECOMMENDED THICKNESS OF METAL MASK : t=0.08mm  
 RECOMMENDED OPEN APERTURE RATIO OF METAL MASK :TAIL 100% , NAIL120%



MATED CONDITION

THIS DRAWING CONTAINS INFORMATION THAT IS PROPRIETARY TO MOLEX INCORPORATED AND SHOULD NOT BE USED WITHOUT WRITTEN PERMISSION

EC NO: 101345 DRWN: GMATSUNO CHK'D: KTANAKA03 APPR: KMORIKAWA	2015/07/16 2015/10/08 2015/10/13	GENERAL TOLERANCES (UNLESS SPECIFIED) ANGULAR TOL ± 3.0 °	DIMENSION UNITS: MM SCALE: 10:1				
	4 PLACES ± 0.03 3 PLACES ± 0.03 2 PLACES ± 0.05 1 PLACE ± 0.1 0 PLACES ± 0.2	DRWN BY: GMATSUNO DATE: 2015/07/16	CHK'D BY: KTANAKA03 DATE: 2015/10/08				0.4 BB CONN.H=0.6 RB REC ASSY
	DRAFT WHERE APPLICABLE MUST REMAIN WITHIN DIMENSIONS	APPR BY: KMORIKAWA DATE: 2015/10/13	DRAWING SIZE: A3 THIRD ANGLE PROJECTION	PRODUCT CUSTOMER DRAWING			
				SERIES: 505473 MATERIAL NUMBER: SEE CHART CUSTOMER: GENERAL			
				DOCUMENT NUMBER: 5054731000 DOC TYPE: PSD DOC PART: 000 SHEET NUMBER: 2 OF 2			