



Chipsmall Limited consists of a professional team with an average of over 10 year of expertise in the distribution of electronic components. Based in Hongkong, we have already established firm and mutual-benefit business relationships with customers from,Europe,America and south Asia,supplying obsolete and hard-to-find components to meet their specific needs.

With the principle of "Quality Parts,Customers Priority,Honest Operation,and Considerate Service",our business mainly focus on the distribution of electronic components. Line cards we deal with include Microchip,ALPS,ROHM,Xilinx,Pulse,ON,Everlight and Freescale. Main products comprise IC,Modules,Potentiometer,IC Socket,Relay,Connector.Our parts cover such applications as commercial,industrial, and automotives areas.

We are looking forward to setting up business relationship with you and hope to provide you with the best service and solution. Let us make a better world for our industry!



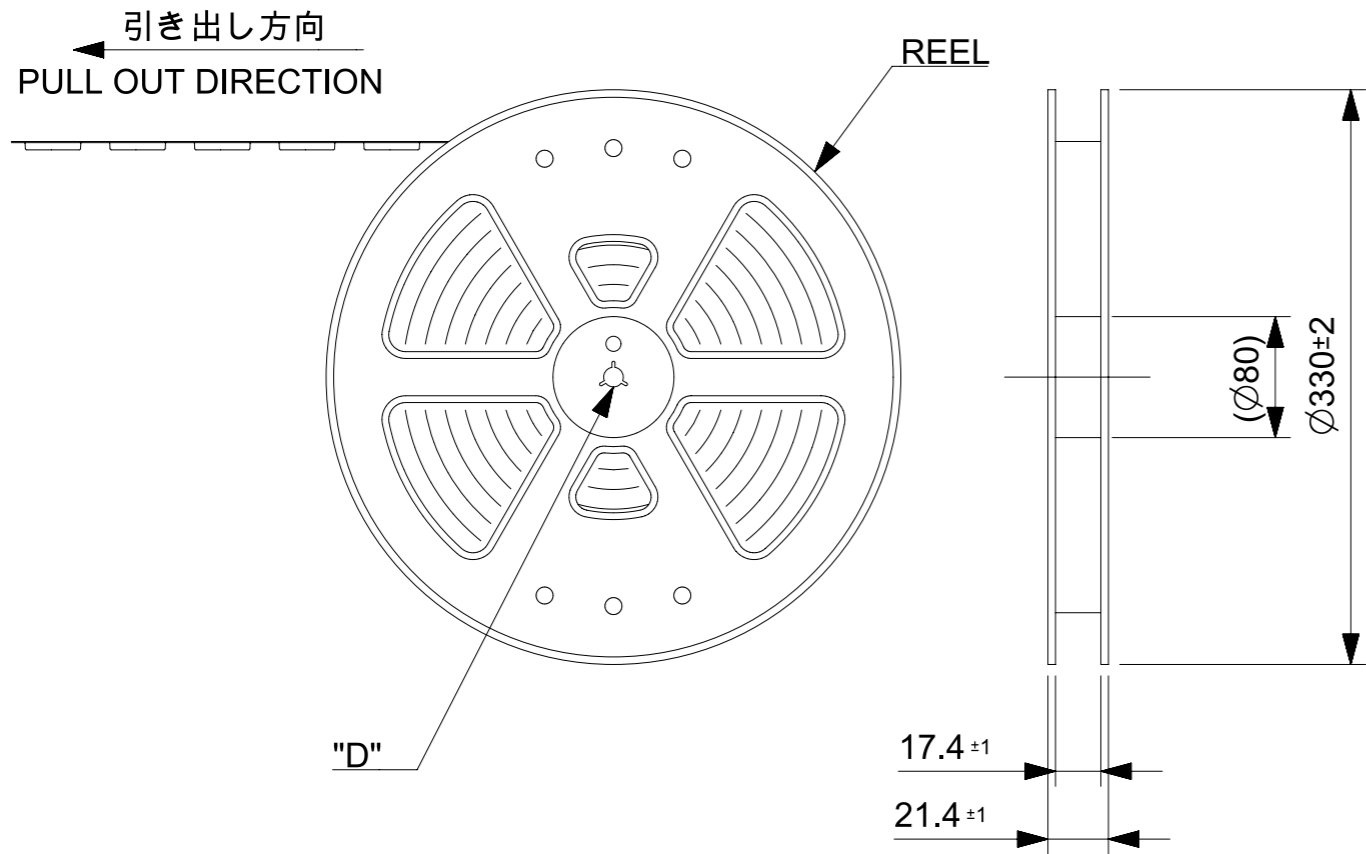
## Contact us

Tel: +86-755-8981 8866 Fax: +86-755-8427 6832

Email & Skype: info@chipsmall.com Web: www.chipsmall.com

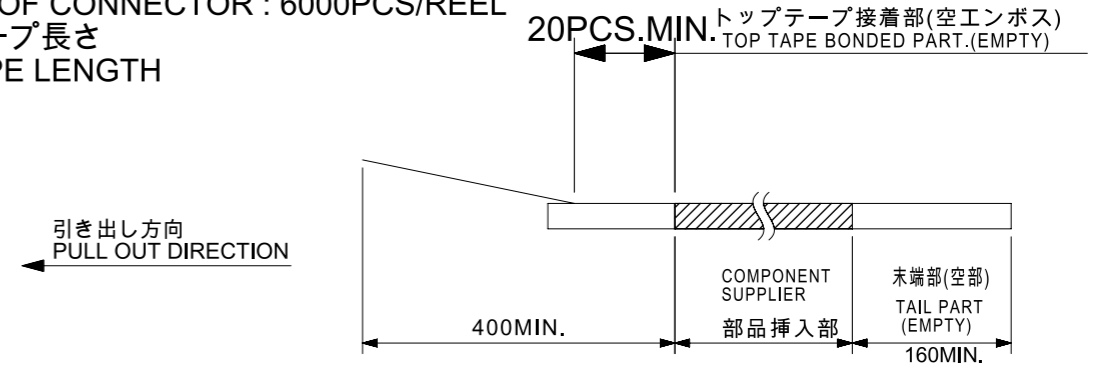
Address: A1208, Overseas Decoration Building, #122 Zhenhua RD., Futian, Shenzhen, China



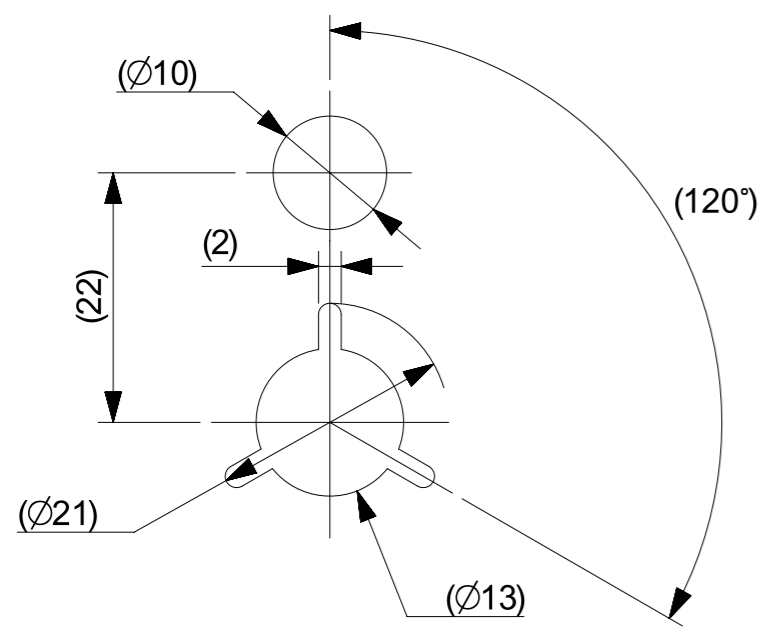


NOTES:

1. 詳細寸法については製品単体図面を参照ください。  
RE DETAILED DIMENSION, SEE SALES DRAWING FOR CONNECTOR
2. 梱包数量 : 6000個/リール  
NUMBER OF CONNECTOR : 6000PCS/REEL
3. リードテープ長さ  
LEAD TAPE LENGTH



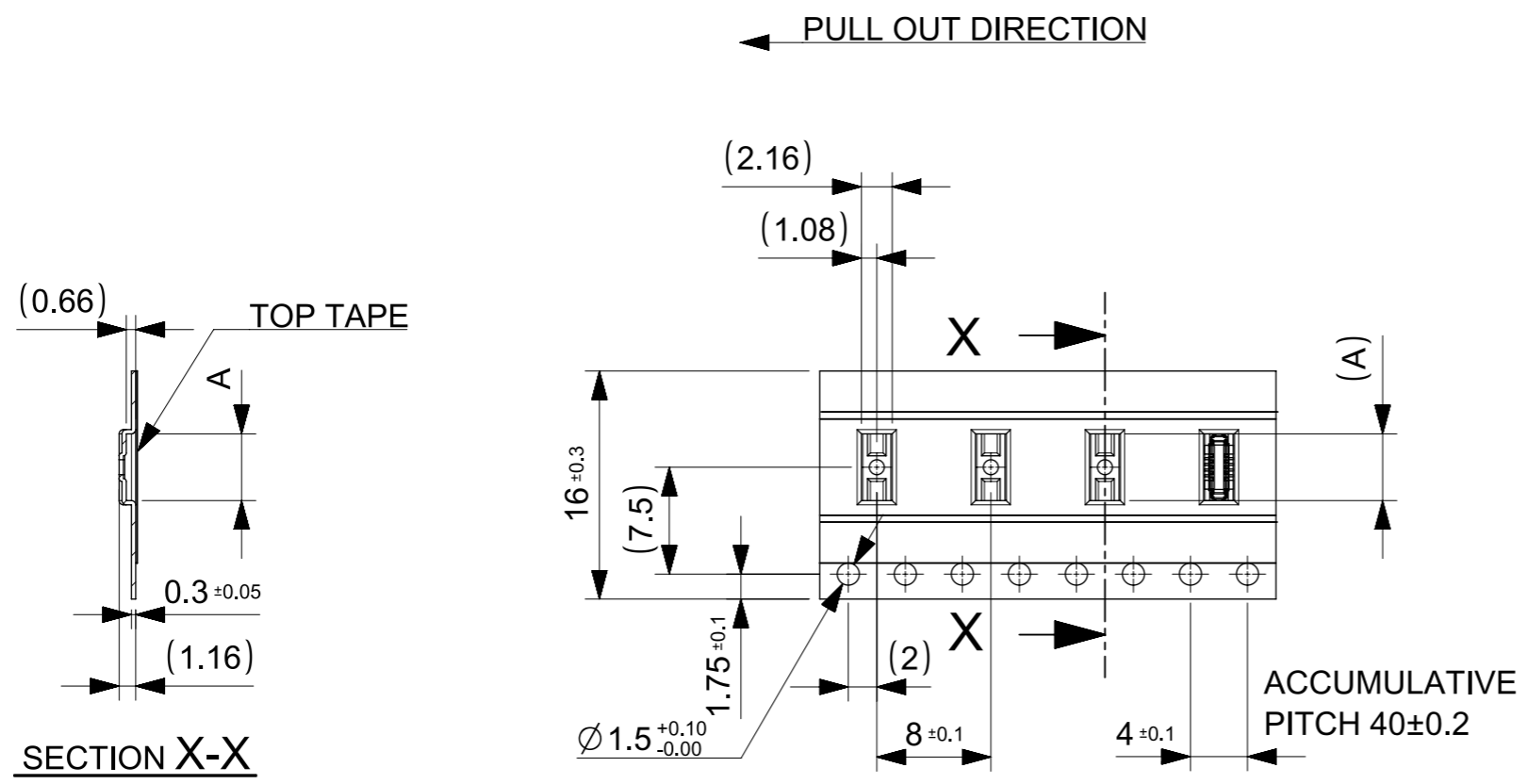
4. トップテープ剥離強度はIEC60286-3.準拠  
PEEL-OFF FORCE OF TOP TAPE : BASED UPON IEC60286-3.
5. MATERIAL  
CARRIER TAPE : POLYSTYREN(PS)  
TOP TAPE : PET , OHTER  
REEL : POLYSTYREN (PS) [RECYCLE MATERIAL CONTAINED]
6. ELV AND RoHS COMPLIANT



DETAIL "D"

MODEL NO. 505476\*\*10

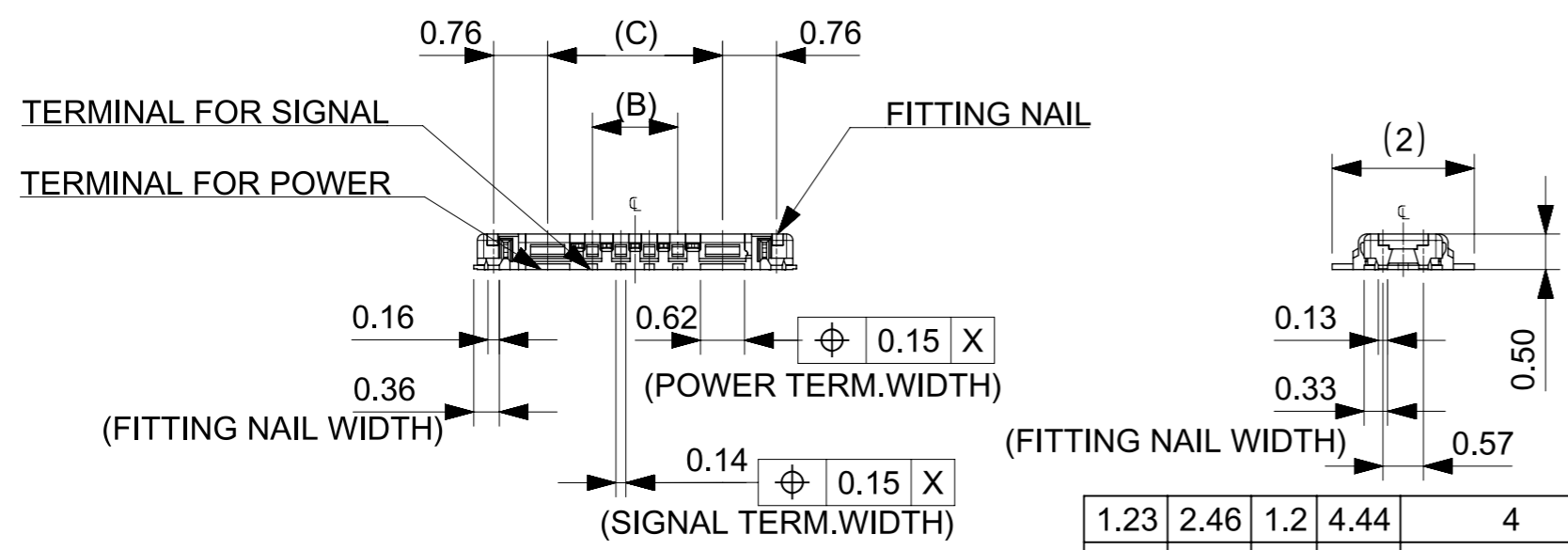
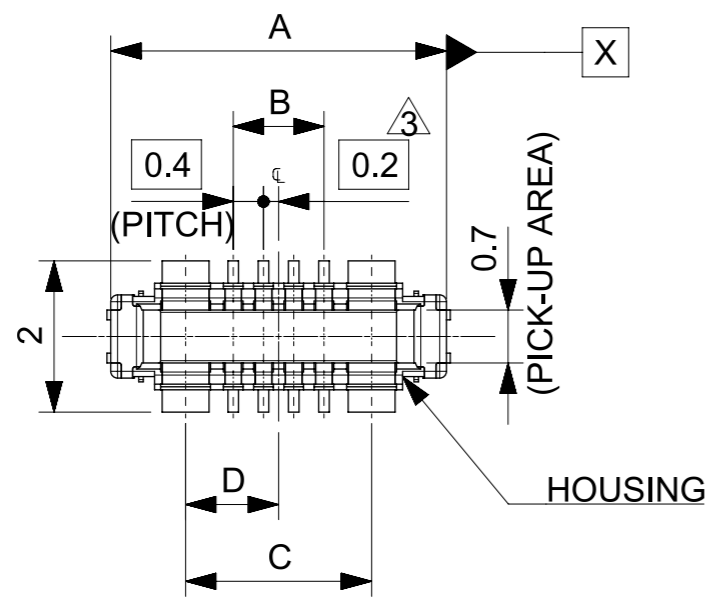
THIS DRAWING CONTAINS INFORMATION THAT IS PROPRIETARY TO MOLEX INCORPORATED AND SHOULD NOT BE USED WITHOUT WRITTEN PERMISSION											
EC DESCRIPTION EC NO: 101345 DRWN: GMATSUNO CHK'D: KTANAKA03 APPR: KMORIKAWA	GENERAL TOLERANCES (UNLESS SPECIFIED)		DIMENSION UNITS	SCALE	<b>molex</b>						
	ANGULAR TOL $\pm 3.0^\circ$		MM	5:1							
	4 PLACES $\pm 0.03$	3 PLACES $\pm 0.03$	DRWN BY	DATE	0.4 BB CONN. RB PLUG O/M EMBSTP PKG.						
	2 PLACES $\pm 0.05$	1 PLACE $\pm 0.1$	GMATSUNO	2015/08/20							
	0 PLACES $\pm 0.2$	DRAFT WHERE APPLICABLE MUST REMAIN WITHIN DIMENSIONS	KTANAKA03	2015/10/08	PRODUCT CUSTOMER DRAWING						
		APPR BY	DATE								
A	REV	DRAWING SIZE	THIRD ANGLE PROJECTION	SERIES	MATERIAL NUMBER	CUSTOMER					
		A3		505476	SEE CHART	GENERAL		DOCUMENT NUMBER	DOC TYPE	DOC PART	SHEET NUMBER
								5054760000	PSD	000	1 OF 2



16	4.68	4	8	5054761210	---	---	12
	4.28	4	6	5054761010	○	---	10
	3.88	4	4	5054760810	○	---	8
キャリアテープ幅 CARRIER TAPE WIDTH	A	FOR POWER	FOR SIGNAL	EMBOSSSED TAPE PACKAGE	HIGH VOL. TOOL	LOW VOL. TOOL	CIRCUIT
		USAGE		ORDER NO.	SAMPLE PREPARATION ○: TOOLED △: WORK IN PROCESS ---: TOOLING TO BE CONFIRMED		

THIS DRAWING CONTAINS INFORMATION THAT IS PROPRIETARY TO MOLEX INCORPORATED AND SHOULD NOT BE USED WITHOUT WRITTEN PERMISSION

EC NO: 101345 DRWN: GMATSUNO CHK'D: KTANAKA03 APPR: KMORIKAWA	2015/08/20	GENERAL TOLERANCES (UNLESS SPECIFIED)		DIMENSION UNITS	SCALE			
	2015/10/08	ANGULAR TOL ± 3.0 °		MM	2:1			
	2015/10/13	4 PLACES ± 0.03	DRWN BY	DATE	GMATSUNO 2015/08/20			
		3 PLACES ± 0.03	CHK'D BY	DATE	KTANAKA03 2015/10/08			
		2 PLACES ± 0.05	APPR BY	DATE	KMORIKAWA 2015/10/13			
	1 PLACE ± 0.1	DRAFT WHERE APPLICABLE MUST REMAIN WITHIN DIMENSIONS		DRAWING SIZE	THIRD ANGLE PROJECTION	0.4 BB CONN. RB PLUG O/M EMBSTP PKG.  PRODUCT CUSTOMER DRAWING		
	0 PLACES ± 0.2	A3		SERIES	MATERIAL NUMBER		CUSTOMER	
				505476	SEE CHART		GENERAL	
				DOCUMENT NUMBER		DOC TYPE	DOC PART	SHEET NUMBER
				5054760000		PSD	000	2 OF 2



**NOTES**

- MATERIAL**  
 HOUSING : LIQUID CRYSTAL POLYMER UL94V-0(COLOR : BLACK)  
 TERMINAL FOR SIGNAL CIRCUIT : COPPER ALLOY  
 TERMINAL FOR POWER CIRCUIT : COPPER ALLOY  
 FITTING NAIL : COPPER ALLOY
- PLATING**  
 TERMINAL FOR SIGNAL AND POWER CIRCUIT:  
 GOLD  
 UNDER PLATING : NICKEL  
 \*DIVIDE INTO PARTS THE GOLD PLATING OF THE CONTACT AND THE TAIL PART BY THE NICKEL PLATING.  
 FITTING NAIL:  
 GOLD(SOLDER TAIL)  
 UNDER PLATING : NICKEL
- △ APPLY FOR (CIRCUIT/2)=EVEN.
- MATE WITH:505473 SERIES.
- TAIL AND FITTING NAIL COPLANARITY TO BE 0.08 MAXIMUM.
- △ PROHIBITED AREA OF PATTERN WIRING AND SOLDER.  
 (FOR EACH AREA, THE WIRING THAT TOUCHES ON THE SOLDER CAN BE ATTACHED, THEN COVERED WITH A FILM TO KEEP SOLDER OUT.)
- ELV and RoHS COMPLIANT.

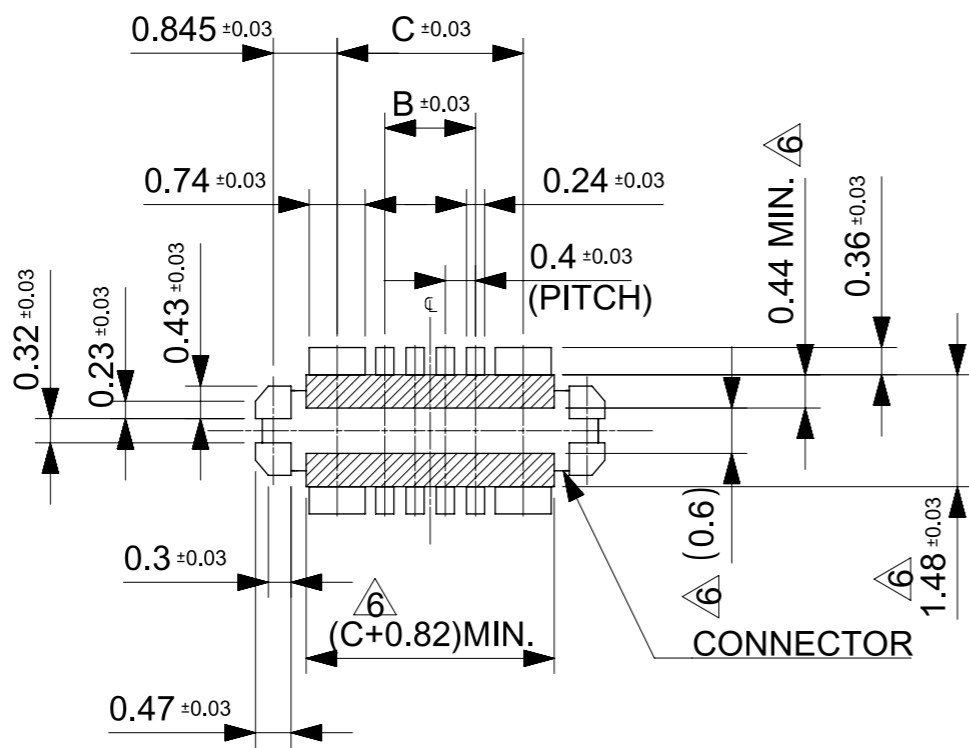
1.23	2.46	1.2	4.44	4	8	5054761210	---	---	12
1.03	2.06	0.8	4.04	4	6	5054761010	○	---	10
0.83	1.66	0.4	3.64	4	4	5054760810	○	---	8
D	C	B	A	FOR POWER	FOR SIGNAL	EMBOSSED TAPE PACKAGE	HIGH VOL. TOOL	LOW VOL. TOOL	CIRCUIT
				USAGE		ORDER NO.	SAMPLE PREPARATION ○ : TOOLED △ : WORK IN PROCESS ---: TOOLING TO BE CONFIRMED		

CONNECTOR SERIES No. : 505476\*\*09

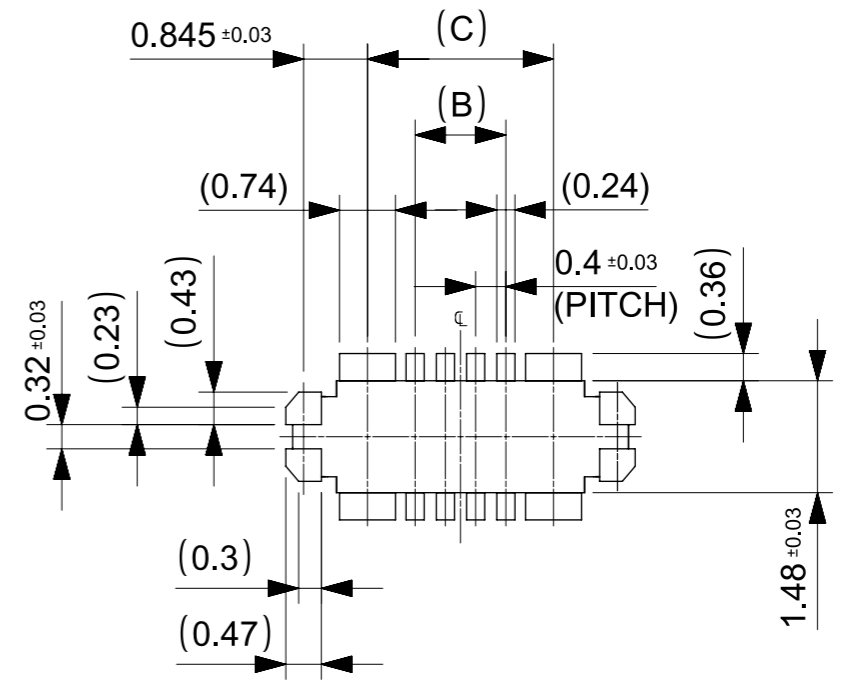
THIS DRAWING CONTAINS INFORMATION THAT IS PROPRIETARY TO MOLEX INCORPORATED AND SHOULD NOT BE USED WITHOUT WRITTEN PERMISSION

EC NO: 101345 DRWN: GMATSUNO CHK'D: KTANAKA03 APPR: KMORIKAWA	2015/07/28	GENERAL TOLERANCES (UNLESS SPECIFIED)		DIMENSION UNITS	SCALE	
	2015/10/08	ANGULAR TOL ± 3.0 °		MM	10:1	
	2015/10/13	4 PLACES ± 0.03	DRWN BY	DATE		
		3 PLACES ± 0.03	GMATSUNO	2015/07/28		
		2 PLACES ± 0.05	CHK'D BY	DATE		
	1 PLACE ± 0.1	KTANAKA03	2015/10/08			
	0 PLACES ± 0.2	APPR BY	DATE			
		KMORIKAWA	2015/10/13			
		DRAWING SIZE	THIRD ANGLE PROJECTION			
		A3				
DRAFT WHERE APPLICABLE MUST REMAIN WITHIN DIMENSIONS						

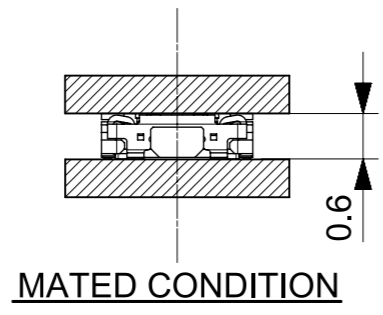
PRODUCT CUSTOMER DRAWING			
SERIES	MATERIAL NUMBER	CUSTOMER	
505476	SEE CHART	GENERAL	
DOCUMENT NUMBER	DOC TYPE	DOC PART	SHEET NUMBER
5054761000	PSD	000	1 OF 2



△ RECOMMENDED P.W.BOARD PATTERN LAYOUT (REFERENCE)  
 PROHIBITED AREA OF PATTERN WIRING AND SOLDER.  
 (FOR EACH AREA, THE WIRING THAT TOUCHES ON THE SOLDER  
 CAN BE ATTACHED, THEN COVERED WITH A FILM TO KEEP SOLDER OUT.)



RECOMMENDED METAL MASK LAYOUT (REFERENCE)  
 RECOMMENDED THICKNESS OF METAL MASK : t=0.08mm  
 RECOMMENDED OPEN APERTURE RATIO OF METAL MASK :100%



THIS DRAWING CONTAINS INFORMATION THAT IS PROPRIETARY TO MOLEX INCORPORATED AND SHOULD NOT BE USED WITHOUT WRITTEN PERMISSION									
EC NO: 101345 DRWN: GMATSUNO CHK'D: KTANAKA03 REV APPR: KMORIKAWA	GENERAL TOLERANCES (UNLESS SPECIFIED)		DIMENSION UNITS	SCALE	<b>molex</b>				
	ANGULAR TOL ± 3.0 °		MM	10:1					
	4 PLACES ± 0.03	DRWN BY	DATE	0.4 BB CONN. H=0.6 RB PLUG OVERMOLD					
	3 PLACES ± 0.03	GMATSUNO	2015/07/28						
	2 PLACES ± 0.05	CHK'D BY	DATE	PRODUCT CUSTOMER DRAWING					
	1 PLACE ± 0.1	KTANAKA03	2015/10/08						
0 PLACES ± 0.2	APPR BY	DATE	SERIES	MATERIAL NUMBER	CUSTOMER				
DRAFT WHERE APPLICABLE MUST REMAIN WITHIN DIMENSIONS	DRAWING SIZE	THIRD ANGLE PROJECTION	505476	SEE CHART	GENERAL				
A	A3		DOCUMENT NUMBER		DOC TYPE	DOC PART	SHEET NUMBER		
			5054761000		PSD	000	2 OF 2		