



Chipsmall Limited consists of a professional team with an average of over 10 year of expertise in the distribution of electronic components. Based in Hongkong, we have already established firm and mutual-benefit business relationships with customers from,Europe,America and south Asia,supplying obsolete and hard-to-find components to meet their specific needs.

With the principle of “Quality Parts,Customers Priority,Honest Operation,and Considerate Service”,our business mainly focus on the distribution of electronic components. Line cards we deal with include Microchip,ALPS,ROHM,Xilinx,Pulse,ON,Everlight and Freescale. Main products comprise IC,Modules,Potentiometer,IC Socket,Relay,Connector.Our parts cover such applications as commercial,industrial, and automotives areas.

We are looking forward to setting up business relationship with you and hope to provide you with the best service and solution. Let us make a better world for our industry!



Contact us

Tel: +86-755-8981 8866 Fax: +86-755-8427 6832

Email & Skype: info@chipsmall.com Web: www.chipsmall.com

Address: A1208, Overseas Decoration Building, #122 Zhenhua RD., Futian, Shenzhen, China



4

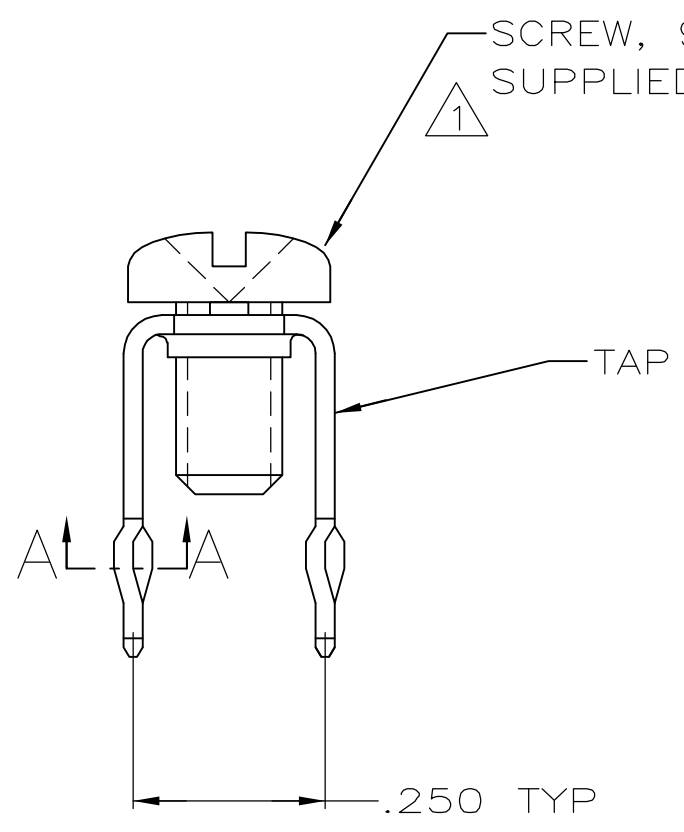
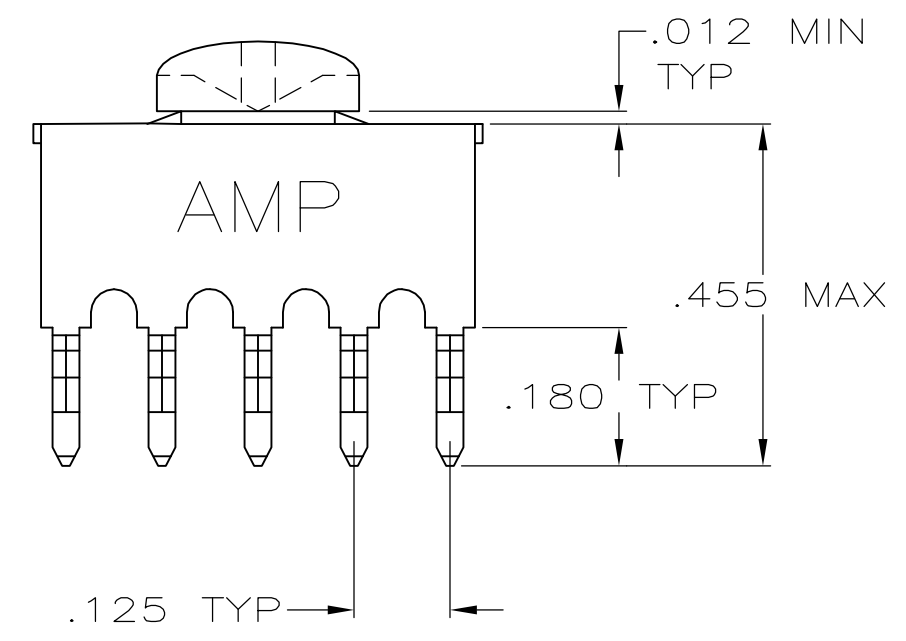
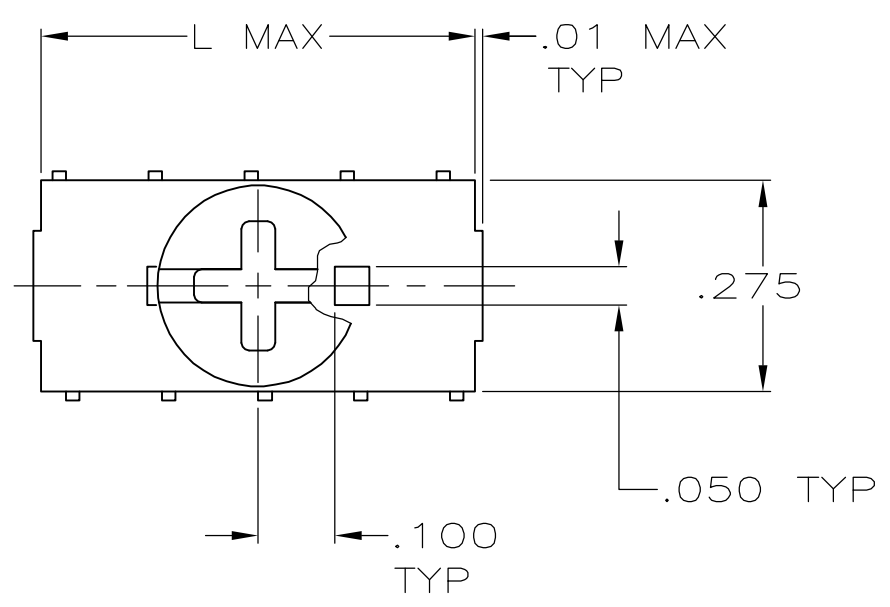
3

2

1

THIS DRAWING IS UNPUBLISHED. RELEASED FOR PUBLICATION
 © COPYRIGHT - BY TYCO ELECTRONICS CORPORATION. ALL RIGHTS RESERVED.

LOC	DIST	REVISIONS			
P	LTR	DESCRIPTION	DATE	DWN	APVD
AA	00	B	ECO-06-010266	17AUG06	LAM AF



SCREW, 993879-1
 SUPPLIED UNASSEMBLED, SEE TABLE

- ① TO PREVENT THREAD STRIPPING, SCREW TORQUE SHOULD NOT EXCEED 9 IN LBS.
- ② TAP HOLE IS 6-32UNC-2B, TWO MIN THREADS.
- ③ FINISH .000150 MATTE TIN OVER .000050 NICKEL .
- ④ COPPER ALLOY 725, .025 THICK
- 5 REFERENCE APPLICATION SPECIFICATION 114-11000 FOR DRILL HOLE SIZE AND FINISHES.



SECTION A-A
 SCALE 10:1
 10 PLACES

.57	YES	10	1-5055323-0
.32	YES	6	5055323-9
.57	NO	10	5055323-6
.32	NO	6	5055323-5
L	993879-1	NUMBER OF POSN	PART NO

DIMENSIONS: INCHES		TOLERANCES UNLESS OTHERWISE SPECIFIED:		DWN		Tyco Electronics		Tyco Electronics Corporation	
0 PLC	± -	1 PLC	± -	J. ALCORTA	05-04-05	DOCK5		Harrisburg, PA 17105-3608	
2 PLC	± -	3 PLC	± .008	A. FRANTUM	05-04-05	NAME		TAP, POWER DISTRIBUTION	
4 PLC	± -	ANGLES	± -	S. FLICKINGER	05-04-05	PRODUCT SPEC		-	
FINISH	± -	MATERIAL		108-11030		APPLICATION SPEC		-	
④	③	MATERIAL		114-11000		WEIGHT		-	
CUSTOMER DRAWING				SCALE 4:1		SHEET 1 OF 1		REV B	