



Chipsmall Limited consists of a professional team with an average of over 10 year of expertise in the distribution of electronic components. Based in Hongkong, we have already established firm and mutual-benefit business relationships with customers from,Europe,America and south Asia,supplying obsolete and hard-to-find components to meet their specific needs.

With the principle of “Quality Parts,Customers Priority,Honest Operation,and Considerate Service”,our business mainly focus on the distribution of electronic components. Line cards we deal with include Microchip,ALPS,ROHM,Xilinx,Pulse,ON,Everlight and Freescale. Main products comprise IC,Modules,Potentiometer,IC Socket,Relay,Connector.Our parts cover such applications as commercial,industrial, and automotives areas.

We are looking forward to setting up business relationship with you and hope to provide you with the best service and solution. Let us make a better world for our industry!



Contact us

Tel: +86-755-8981 8866 Fax: +86-755-8427 6832

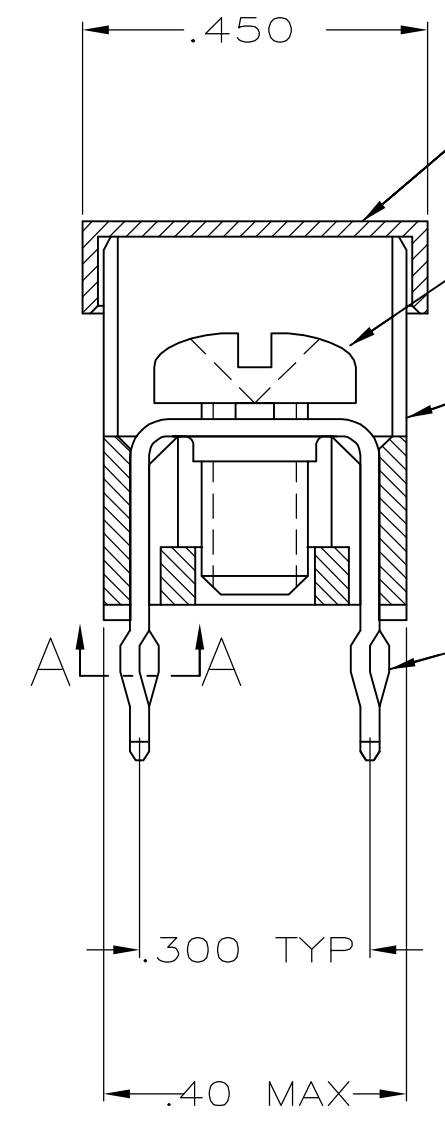
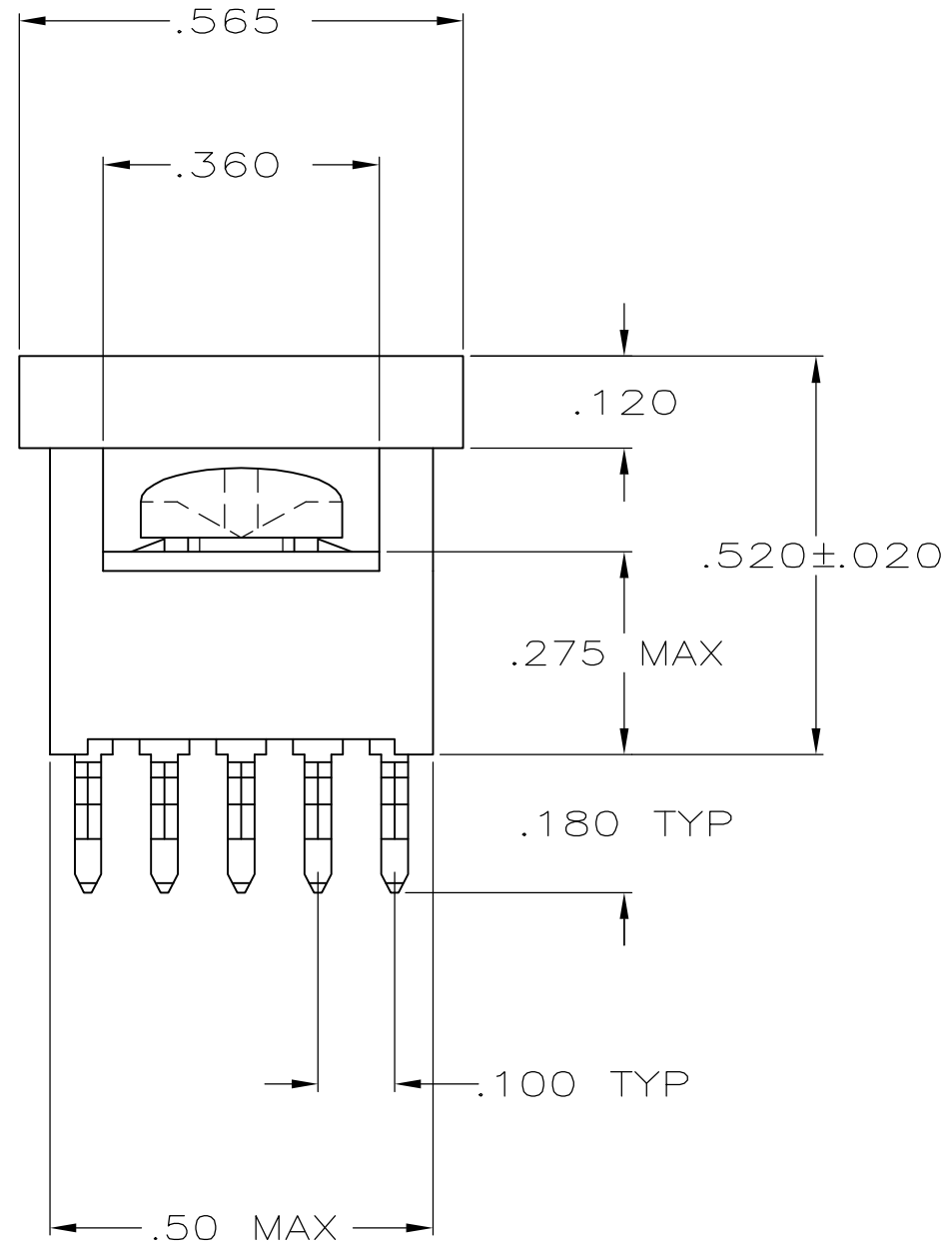
Email & Skype: info@chipsmall.com Web: www.chipsmall.com

Address: A1208, Overseas Decoration Building, #122 Zhenhua RD., Futian, Shenzhen, China



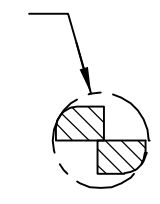
THIS DRAWING IS UNPUBLISHED. RELEASED FOR PUBLICATION
 © COPYRIGHT BY TYCO ELECTRONICS CORPORATION. ALL RIGHTS RESERVED.

LOC	DIST	REVISIONS					
GP	00	P	LTR	DESCRIPTION	DATE	DWN	APVD
			A	REV PER EC 0512-0573-04	05-04-05	JA	SF



- COVER
 - SCREW, 993879-1
SUPPLIED UNASSEMBLED, SEE TABLE
 - HOUSING
 - TAP
- 1 TO PREVENT THREAD STRIPPING, SCREW TORQUE SHOULD NOT EXCEED 9 IN LBS.
 - 2 TAP HOLE IS 6-32UNC-2B, TWO MIN THREADS.
 - 3 PACKAGED BULK.
 - 4 HOUSING: NYLON.
TAP: COPPER ALLOY 725, .025 THICK
 - 5 TAP: .000150 MATTE TIN OVER .000050 NICKEL
 6. REFERENCE APPLICATION SPECIFICATION 114-11000 FOR DRILL HOLE SIZES AND FINISHES.

.050 ± .005 DIA



SECTION A-A
 SCALE 10:1
 10 PLACES

3	YES	YES	5055557-4
3	YES	NO	5055557-3
PACKAGING	HOUSING AND TAP ASSEMBLED	SCREW	PART NO.

THIS DRAWING IS A CONTROLLED DOCUMENT.		DWN	05-04-05	Tyco Electronics Corporation	
		J. ALCORTA - DOCK5	05-04-05	Harrisburg, PA 17105-3608	
		CHK	05-04-05	Tyco Electronics	
		A. FRANTUM	05-04-05	NAME	
		APVD	05-04-05	S. FLICKINGER	
DIMENSIONS: INCHES		PRODUCT SPEC		TAP ASSEMBLY, POWER DISTRIBUTION	
TOLERANCES UNLESS OTHERWISE SPECIFIED:		108-11030		APPLICATION SPEC	
0 PLC ± -		114-11000		WEIGHT	
1 PLC ± -		-		SIZE	
2 PLC ± -		-		CAGE CODE	
3 PLC ± .010		-		DRAWING NO	
4 PLC ± -		-		RESTRICTED TO	
ANGLES ± -		-		A3 00779	
FINISH		-		G-5055557	
4		-		SCALE	
5		-		4:1	
		CUSTOMER DRAWING		SHEET 1 OF 1	
				REV A	