



Chipsmall Limited consists of a professional team with an average of over 10 year of expertise in the distribution of electronic components. Based in Hongkong, we have already established firm and mutual-benefit business relationships with customers from,Europe,America and south Asia,supplying obsolete and hard-to-find components to meet their specific needs.

With the principle of “Quality Parts,Customers Priority,Honest Operation,and Considerate Service”,our business mainly focus on the distribution of electronic components. Line cards we deal with include Microchip,ALPS,ROHM,Xilinx,Pulse,ON,Everlight and Freescale. Main products comprise IC,Modules,Potentiometer,IC Socket,Relay,Connector.Our parts cover such applications as commercial,industrial, and automotives areas.

We are looking forward to setting up business relationship with you and hope to provide you with the best service and solution. Let us make a better world for our industry!



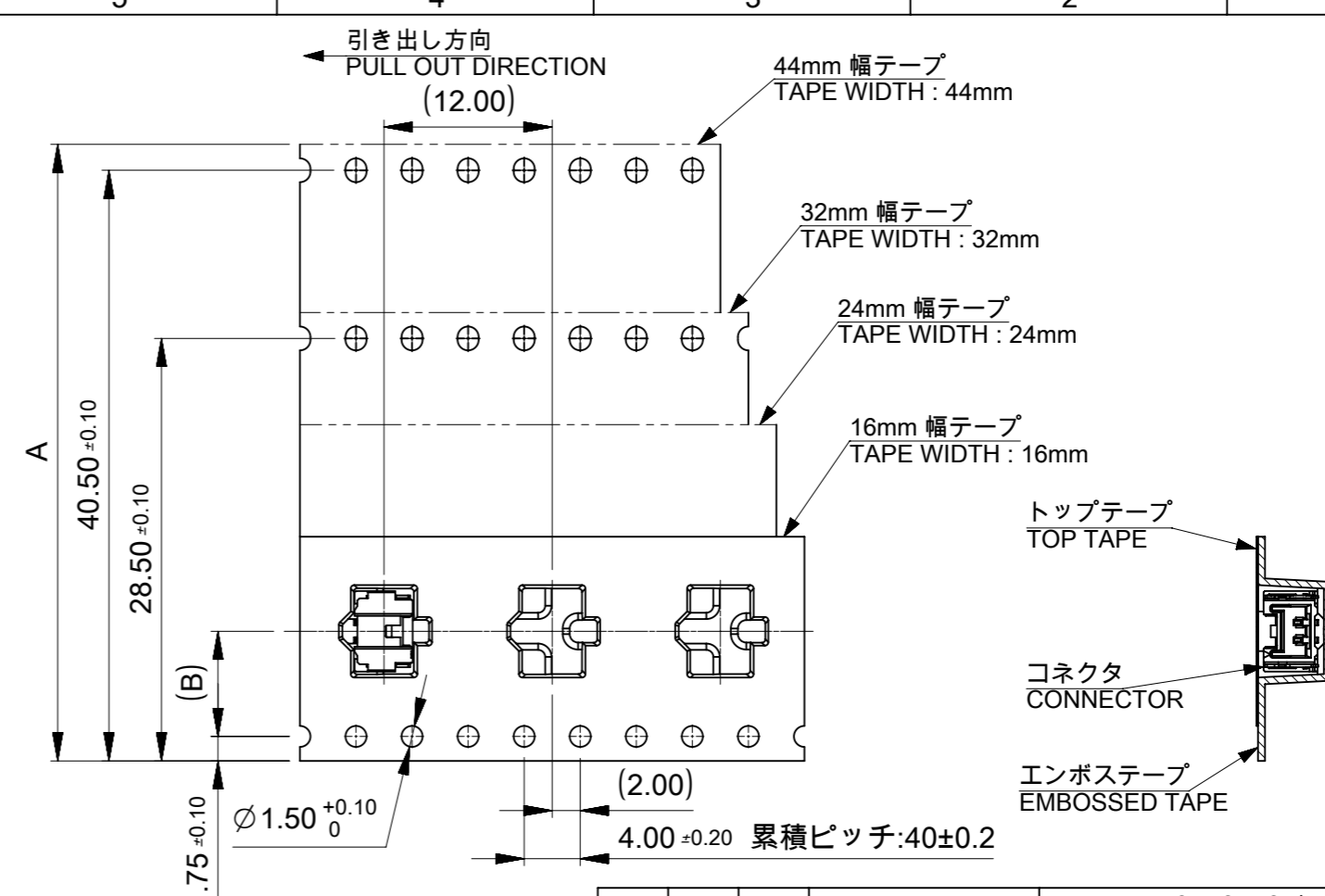
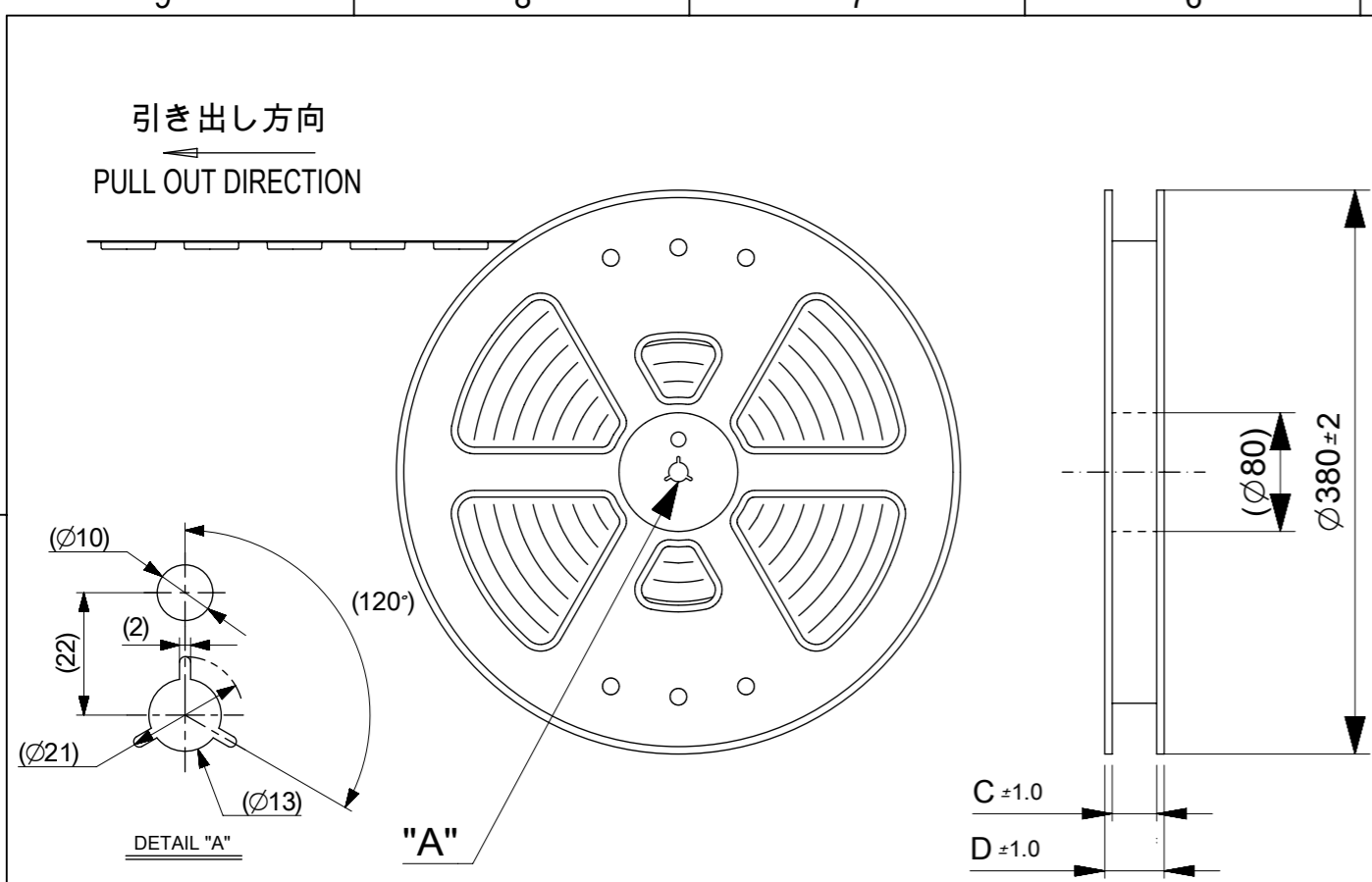
Contact us

Tel: +86-755-8981 8866 Fax: +86-755-8427 6832

Email & Skype: info@chipsmall.com Web: www.chipsmall.com

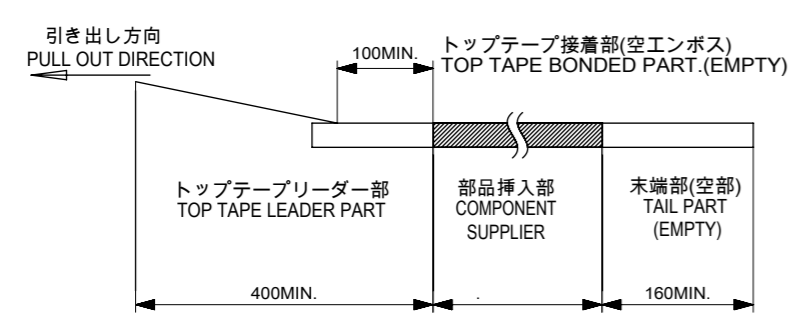
Address: A1208, Overseas Decoration Building, #122 Zhenhua RD., Futian, Shenzhen, China





- 製品詳細寸法については、製品単体図面を参照下さい。
THE DETAIL DIMENSION REFER TO SALES DRAWING OF CONNECTOR ITSELF (NOT PACKAGED).
- 梱包数量：1200個 / リール
NUMBER OF CONNECTORS：1200 PCS/REEL.
- リードテープ長さ LEAD TAPE LENGTH.

49.4	45.4	20.2	44 ±0.3	505567167*	16
				505567157*	15
				505567147*	14
37.4	33.4	14.2	32 ±0.3	505567137*	13
				505567127*	12
				505567117*	11
				505567107*	10
29.4	25.4	11.5	24 +0.3/-0.1	505567097*	9
				505567087*	8
				505567077*	7
				505567067*	6
				505567057*	5
				505567047*	4
21.4	17.4	7.5	16 +0.3/-0.1	505567037*	3
				505567027*	2
D	C	B	エンボステープ幅 WIDTH OF TAPE A	エンボス梱包 EMBOSSED TAPE PACKAGE	極数 CKT NO.
				オーダー番号 ORDER NO.	



- トップテープの剥離強度はIEC60286-3に準拠
TOP TAPE PEELING FORCE IS DEFINED BY IEC60286-3.
- 材料 MATERIAL
キャリアテープ(CARRIER TAPE)：ポリスチレン(POLYSTYRENE)
トップテープ(TOP TAPE)：PET
リール(REEL):ポリスチレン リサイクル材含む (PS)
POLYSTYRENE (PS) RECYCLE MATERIAL CONTAINED

THIS DRAWING CONTAINS INFORMATION THAT IS PROPRIETARY TO MOLEX ELECTRONIC TECHNOLOGIES, LLC AND SHOULD NOT BE USED WITHOUT WRITTEN PERMISSION

REDRAWN EC NO: 168093 DRWN: RWATANABE01 CHK'D: KOMURAKAMI APPR: TKANEKO	2017/11/24	2017/12/04	2017/12/06	GENERAL TOLERANCES (UNLESS SPECIFIED) ANGULAR TOL ± 1.0 ° 4 PLACES ± 0.2 3 PLACES ± 0.2 2 PLACES ± 0.2 1 PLACE ± 0.2 0 PLACES ± 0.2 DRAFT WHERE APPLICABLE MUST REMAIN WITHIN DIMENSIONS	DIMENSION UNITS mm	SCALE NTS	 MICRO-LOCK PLUS 1.25 W/B SINGLE ROW RA SMT EMBOSSED TAPE PKG		
	DRWN BY RWATANABE01	DATE 2017/11/24	CHK'D BY KOMURAKAMI		DATE 2017/12/04	APPR BY TKANEKO		DATE 2017/12/06	PRODUCT CUSTOMER DRAWING
	DRAWING SIZE A3		THIRD ANGLE PROJECTION		SERIES 505567	MATERIAL NUMBER SEE SHEET2		CUSTOMER GENERAL	
	DOCUMENT NUMBER 5055670000-SD		DOC TYPE PSD		DOC PART 000	SHEET NUMBER 1 OF 2			

E

D


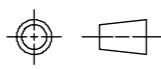
C

B

A

ORANGE	GREEN	BLUE	YELLOW	RED	BLACK	NATURAL (BEIGE)	HSG COLOR
5055671678	5055671676	5055671674	5055671673	5055671672	5055671671	5055671670	16
5055671578	5055671576	5055671574	5055671573	5055671572	5055671571	5055671570	15
5055671478	5055671476	5055671474	5055671473	5055671472	5055671471	5055671470	14
5055671378	5055671376	5055671374	5055671373	5055671372	5055671371	5055671370	13
5055671278	5055671276	5055671274	5055671273	5055671272	5055671271	5055671270	12
5055671178	5055671176	5055671174	5055671173	5055671172	5055671171	5055671170	11
5055671078	5055671076	5055671074	5055671073	5055671072	5055671071	5055671070	10
5055670978	5055670976	5055670974	5055670973	5055670972	5055670971	5055670970	9
5055670878	5055670876	5055670874	5055670873	5055670872	5055670871	5055670870	8
5055670778	5055670776	5055670774	5055670773	5055670772	5055670771	5055670770	7
5055670678	5055670676	5055670674	5055670673	5055670672	5055670671	5055670670	6
5055670578	5055670576	5055670574	5055670573	5055670572	5055670571	5055670570	5
5055670478	5055670476	5055670474	5055670473	5055670472	5055670471	5055670470	4
5055670378	5055670376	5055670374	5055670373	5055670372	5055670371	5055670370	3
5055670278	5055670276	5055670274	5055670273	5055670272	5055670271	5055670270	2
EMBOSSED TAPE PKG	EMBOSSED TAPE PKG	EMBOSSED TAPE PKG	EMBOSSED TAPE PKG	EMBOSSED TAPE PKG	EMBOSSED TAPE PKG	EMBOSSED TAPE PKG	極数 CKT NO.
ORDER NO.	ORDER NO.	ORDER NO.	ORDER NO.	ORDER NO.	ORDER NO.	ORDER NO.	

THIS DRAWING CONTAINS INFORMATION THAT IS PROPRIETARY TO MOLEX ELECTRONIC TECHNOLOGIES, LLC AND SHOULD NOT BE USED WITHOUT WRITTEN PERMISSION

REDRAWN EC NO: 168093 DRWN: RWATANABE01 CHK'D: KOMURAKAMI APPR: TKANEKO	GENERAL TOLERANCES (UNLESS SPECIFIED) ANGULAR TOL ± 1.0 °		DIMENSION UNITS mm	SCALE NTS	 MICRO-LOCK PLUS 1.25 W/B SINGLE ROW RA SMT EMBOSSED TAPE PKG	
	4 PLACES ± 0.2	DRWN BY RWATANABE01	DATE 2017/11/24			
	3 PLACES ± 0.2	CHK'D BY KOMURAKAMI	DATE 2017/12/04			
	2 PLACES ± 0.2	APPR BY TKANEKO	DATE 2017/12/06			
	1 PLACE ± 0.2	DRAWING SIZE A3		THIRD ANGLE PROJECTION 		
0 PLACES ± 0.2	DRAFT WHERE APPLICABLE MUST REMAIN WITHIN DIMENSIONS				PRODUCT CUSTOMER DRAWING SERIES: 505567 MATERIAL NUMBER: SEE TABLE CUSTOMER: GENERAL	
		DOCUMENT NUMBER: 5055670000-SD		DOC TYPE: PSD	DOC PART: 000	SHEET NUMBER: 2 OF 2

NOTES

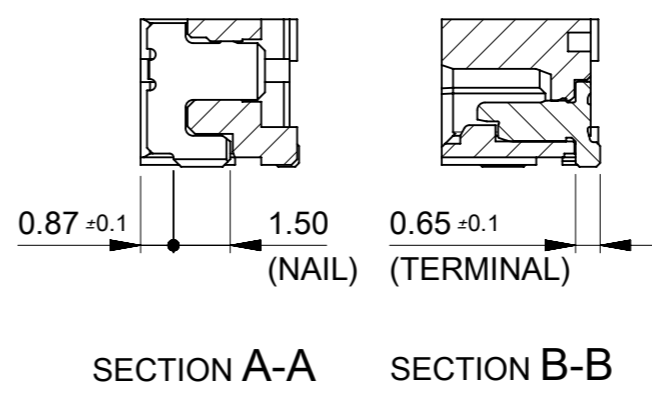
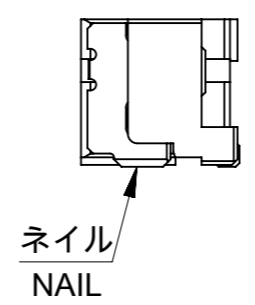
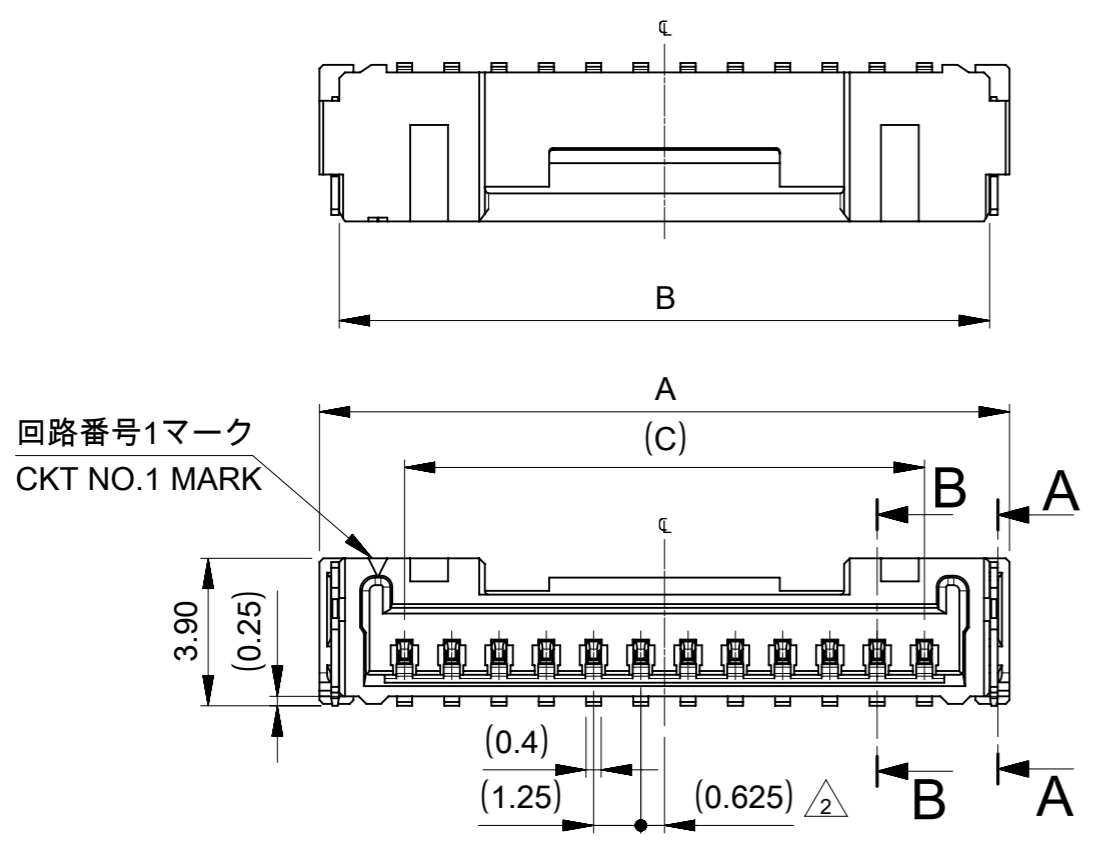
- 1. 嵌合相手 : 505565**0*
MATE WITH: 505565**0*
- △2 偶数極 に適用
APPLY FOR EVEN CKT.
- 3. 製品仕様書 : 5055650000
PRODUCT SPECIFICATION:5055650000
- 4. オーダー番号と色、極数の関係
RELATION ORDER NUMBER AND COLOR, CKT.

505567**7*

極数	色	NO.	COLOR
		0	NATURAL
		1	BLACK
		2	RED
		3	YELLOW
		4	BLUE
		6	GREEN
		8	ORANGE

CIRCUIT NO. COLOR

5. ターミナルとネイルの平坦度は0.1mm以下
TERMINAL AND NAIL COPLANARITY : 0.1mm MAX.



10.7	18.75	22.2	23.25	505567167*	16
10.7	17.5	20.95	22	505567157*	15
10.7	16.25	19.7	20.75	505567147*	14
9.2	15	18.45	19.5	505567137*	13
9.2	13.75	17.2	18.25	505567127*	12
9.2	12.5	15.95	17	505567117*	11
9.2	11.25	14.7	15.75	505567107*	10
6.7	10	13.45	14.5	505567097*	9
6.7	8.75	12.2	13.25	505567087*	8
6.7	7.5	10.95	12	505567077*	7
6.6	6.25	9.7	10.75	505567067*	6
5.35	5	8.45	9.5	505567057*	5
4.1	3.75	7.2	8.25	505567047*	4
2.85	2.5	5.95	7	505567037*	3
1.9	1.25	4.7	5.75	505567027*	2
D	C	B	A	EMBOSSED TAPE PKG	極数 CKT NO.
				ORDER NO.	

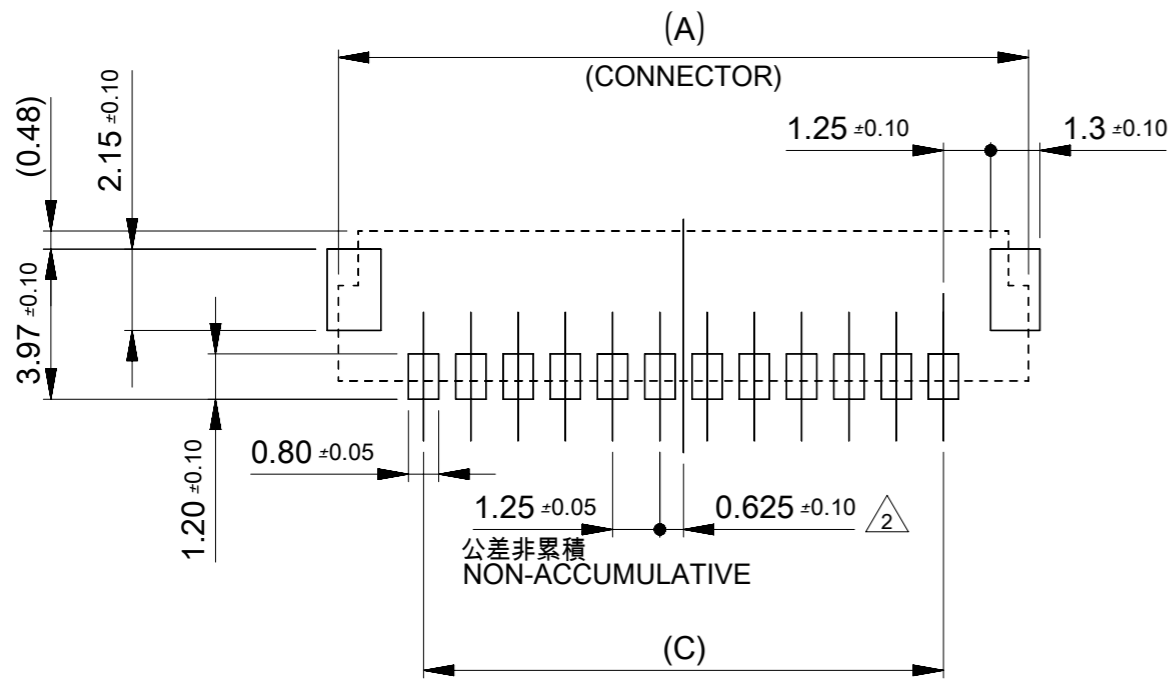
奇数キャビティ : キャビティ番号及び金型番号
偶数キャビティ : トレードマーク
ODD CAVITY:CAVITY AND MOLD NO.
EVEN CAVITY:TRADE MARK

奇数キャビティ : トレードマーク
偶数キャビティ : キャビティ番号及び金型番号
ODD CAVITY:TRADE MARK
EVEN CAVITY:CAVITY AND MOLD NO.

部品 PART	材質 MATERIAL
ハウジング HOUSING	ポリアミド(PA)、ガラス充填、UL94 V-0、色 : SHEET 2参照 POLYAMIDE (PA), GLASS FILLED, UL94 V-0, COLOR: SEE SHEET 2
ターミナル TERMINAL	黄銅 BRASS
	錫ビスマスめっき : 1.0 MICRO-METER MIN. TIN-BISMUTH PLATED (MATTE TIN)
ネイル NAIL	ニッケルめっき(下地) : 1.0 MICRO-METER MIN. NICKEL (UNDER-PLATED)
	黄銅 BRASS
	錫めっき : 1.0 MICRO-METER MIN. MATTE TIN PLATED
	ニッケルめっき(下地) : 1.0 MICRO-METER MIN. NICKEL (UNDER-PLATED)

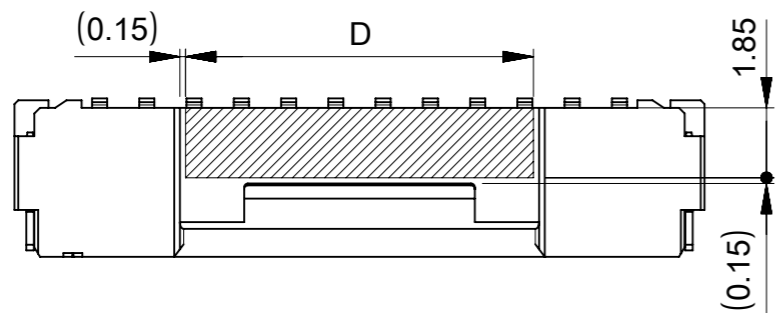
THIS DRAWING CONTAINS INFORMATION THAT IS PROPRIETARY TO MOLEX ELECTRONIC TECHNOLOGIES, LLC AND SHOULD NOT BE USED WITHOUT WRITTEN PERMISSION

REDRAWN EC NO: 168093 DRWN: RWATANABE01 CHK'D: KOMURAKAMI APPR: TKANEKO	2017/11/27 2017/12/04 2017/12/06	GENERAL TOLERANCES (UNLESS SPECIFIED) ANGULAR TOL ± 1.0 °	DIMENSION UNITS: mm SCALE: 5:1		
	4 PLACES ± 0.2 3 PLACES ± 0.2 2 PLACES ± 0.2 1 PLACE ± 0.2 0 PLACES ± 0.2	DRWN BY: RWATANABE01 DATE: 2017/11/27	CHK'D BY: KOMURAKAMI DATE: 2017/12/04		MICRO-LOCK PLUS 1.25 W/B SINGLE ROW RA SMT PLUG ASSY
	DRAFT WHERE APPLICABLE MUST REMAIN WITHIN DIMENSIONS	APPR BY: TKANEKO DATE: 2017/12/06	DRAWING SIZE: A3 THIRD ANGLE PROJECTION		PRODUCT CUSTOMER DRAWING
		SERIES: 505567 MATERIAL NUMBER: SEE SHEET2 CUSTOMER: GENERAL	DOCUMENT NUMBER: 5055670001-SD DOC TYPE: PSD DOC PART: 000 SHEET NUMBER: 1 OF 2		

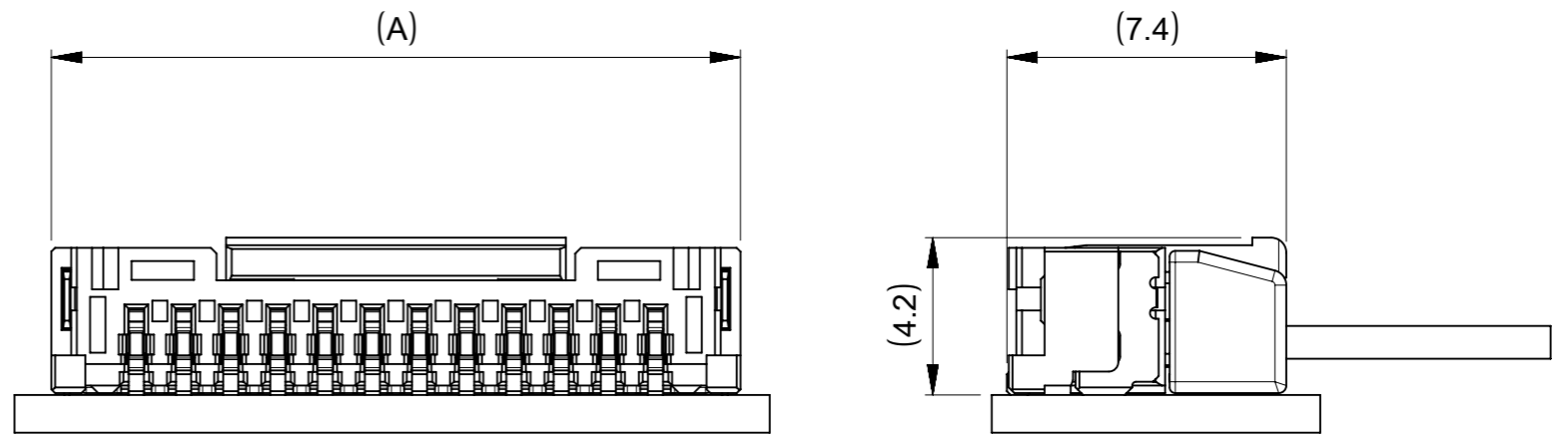


推奨基板レイアウト
RECOMMENDED PCB PATTERN LAYOUT

(参考:メタルマスク厚さ 150μm, マスク開口率 100%)
(REFERENCE: METAL MASK THICKNESS 150μm, APERTURE RASIO 100%)



吸着範囲
VACUUM AREA



嵌合状態図
MATED CONNECTORS

ORANGE	GREEN	BLUE	YELLOW	RED	BLACK	NATURAL (BEIGE)	HOUSING COLOR
5055671678	5055671676	5055671674	5055671673	5055671672	5055671671	5055671670	16
5055671578	5055671576	5055671574	5055671573	5055671572	5055671571	5055671570	15
5055671478	5055671476	5055671474	5055671473	5055671472	5055671471	5055671470	14
5055671378	5055671376	5055671374	5055671373	5055671372	5055671371	5055671370	13
5055671278	5055671276	5055671274	5055671273	5055671272	5055671271	5055671270	12
5055671178	5055671176	5055671174	5055671173	5055671172	5055671171	5055671170	11
5055671078	5055671076	5055671074	5055671073	5055671072	5055671071	5055671070	10
5055670978	5055670976	5055670974	5055670973	5055670972	5055670971	5055670970	9
5055670878	5055670876	5055670874	5055670873	5055670872	5055670871	5055670870	8
5055670778	5055670776	5055670774	5055670773	5055670772	5055670771	5055670770	7
5055670678	5055670676	5055670674	5055670673	5055670672	5055670671	5055670670	6
5055670578	5055670576	5055670574	5055670573	5055670572	5055670571	5055670570	5
5055670478	5055670476	5055670474	5055670473	5055670472	5055670471	5055670470	4
5055670378	5055670376	5055670374	5055670373	5055670372	5055670371	5055670370	3
5055670278	5055670276	5055670274	5055670273	5055670272	5055670271	5055670270	2
EMBOSSED TAPE PKG	EMBOSSED TAPE PKG	EMBOSSED TAPE PKG	EMBOSSED TAPE PKG	EMBOSSED TAPE PKG	EMBOSSED TAPE PKG	EMBOSSED TAPE PKG	極数 CKT NO.
ORDER NO.	ORDER NO.	ORDER NO.	ORDER NO.	ORDER NO.	ORDER NO.	ORDER NO.	

THIS DRAWING CONTAINS INFORMATION THAT IS PROPRIETARY TO MOLEX ELECTRONIC TECHNOLOGIES, LLC AND SHOULD NOT BE USED WITHOUT WRITTEN PERMISSION

REDRAWN EC NO: 168093 DRWN: RWATANABE01 CHK'D: KOMURAKAMI APPR: TKANEKO	2017/11/27 2017/12/04 2017/12/06	GENERAL TOLERANCES (UNLESS SPECIFIED) ANGULAR TOL ± 1.0 ° 4 PLACES ± 0.2 3 PLACES ± 0.2 2 PLACES ± 0.2 1 PLACE ± 0.2 0 PLACES ± 0.2	DIMENSION UNITS: mm SCALE: NTS 5:1 DRWN BY: RWATANABE01 DATE: 2017/11/27 CHK'D BY: KOMURAKAMI DATE: 2017/12/04 APPR BY: TKANEKO DATE: 2017/12/06	<p>MICRO-LOCK PLUS 1.25 W/B SINGLE ROW RA SMT PLUG ASSY</p> <p>PRODUCT CUSTOMER DRAWING</p> <p>SERIES: 505567 MATERIAL NUMBER: SEE TABLE CUSTOMER: GENERAL</p> <p>DOCUMENT NUMBER: 5055670001-SD DOC TYPE: PSD DOC PART: 000 SHEET NUMBER: 2 OF 2</p>
	DRAFT WHERE APPLICABLE MUST REMAIN WITHIN DIMENSIONS	DRAWING SIZE: A3 THIRD ANGLE PROJECTION		