



Chipsmall Limited consists of a professional team with an average of over 10 year of expertise in the distribution of electronic components. Based in Hongkong, we have already established firm and mutual-benefit business relationships with customers from,Europe,America and south Asia,supplying obsolete and hard-to-find components to meet their specific needs.

With the principle of “Quality Parts,Customers Priority,Honest Operation,and Considerate Service”,our business mainly focus on the distribution of electronic components. Line cards we deal with include Microchip,ALPS,ROHM,Xilinx,Pulse,ON,Everlight and Freescale. Main products comprise IC,Modules,Potentiometer,IC Socket,Relay,Connector.Our parts cover such applications as commercial,industrial, and automotives areas.

We are looking forward to setting up business relationship with you and hope to provide you with the best service and solution. Let us make a better world for our industry!



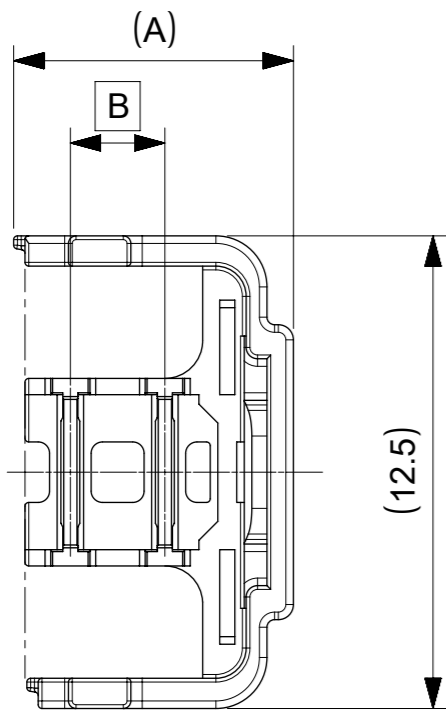
Contact us

Tel: +86-755-8981 8866 Fax: +86-755-8427 6832

Email & Skype: info@chipsmall.com Web: www.chipsmall.com

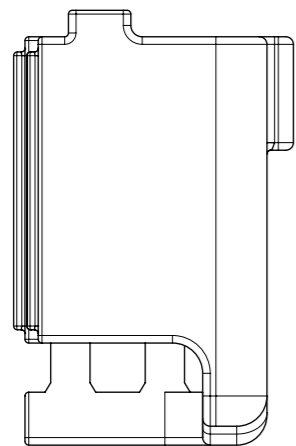
Address: A1208, Overseas Decoration Building, #122 Zhenhua RD., Futian, Shenzhen, China



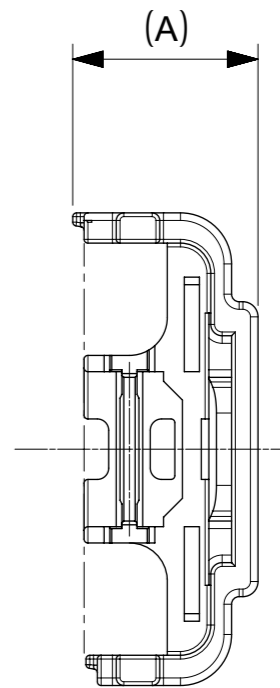
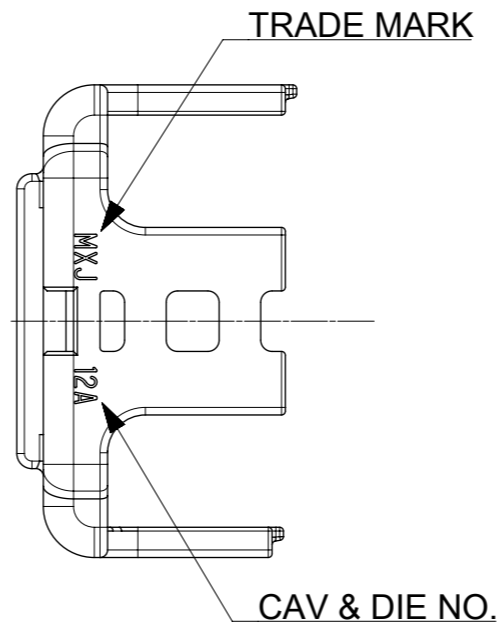
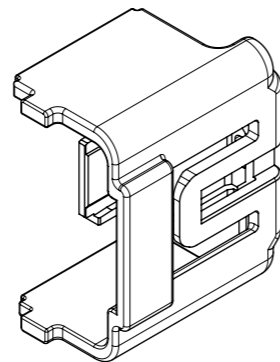


(12.5)

(0.7) 10.8 ±0.3



4CKT



CASE OF 2CKT

2.5	7.4	5055940411	4
0.0	4.9	5055940211	2
B	A	製品番号 MATERIAL No.	極数 CIRCUIT

注記

NOTES

- 適合端子 :5055979*00,561348*00,561349*00,593708*00
APPLICABLE TERMINAL:5055979*00,561348*00,561349*00,593708*00
- 適合ハウジング :505596シリーズ
APPLICABLE HOUSING:505596 SERIES
- 材料 :ポリエステル(PBT UL94-V0)
MATERIAL:POLYESTER(PBT UL94-V0)
色 :グレー
COLOR:GRAY

THIS DRAWING CONTAINS INFORMATION THAT IS PROPRIETARY TO MOLEX ELECTRONIC TECHNOLOGIES, LLC AND SHOULD NOT BE USED WITHOUT WRITTEN PERMISSION

EC NO: 117526 DRWN: HKOBAYASHI CHK'D: SAKIYAMA APP: TKANEKO	2017/06/08	2017/06/28	2017/06/29	GENERAL TOLERANCES (UNLESS SPECIFIED) ANGULAR TOL ± 3.0 ° 4 PLACES ± 0.2 3 PLACES ± 0.2 2 PLACES ± 0.2 1 PLACE ± 0.2 0 PLACES ± 0.2 DRAFT WHERE APPLICABLE MUST REMAIN WITHIN DIMENSIONS	DIMENSION UNITS	SCALE	 MUO 2.5 WW DUAL ROW RETAINER PRODUCT CUSTOMER DRAWING		
					MM	5:1			
	DRWN BY	DATE	CHK'D BY		DATE	DATE		DATE	
	HKOBAYASHI	2017/06/08	SAKIYAMA		2017/06/28	TKANEKO		2017/06/29	
				DRAWING SIZE	THIRD ANGLE PROJECTION	SERIES	MATERIAL NUMBER	CUSTOMER	
				A3		505594	SEE CHART	GENERAL MARKET	
						DOCUMENT NUMBER	DOC TYPE	DOC PART	SHEET NUMBER
						5055940000-SD	PSD	000	1 OF 1