



Chipsmall Limited consists of a professional team with an average of over 10 year of expertise in the distribution of electronic components. Based in Hongkong, we have already established firm and mutual-benefit business relationships with customers from,Europe,America and south Asia,supplying obsolete and hard-to-find components to meet their specific needs.

With the principle of “Quality Parts,Customers Priority,Honest Operation,and Considerate Service”,our business mainly focus on the distribution of electronic components. Line cards we deal with include Microchip,ALPS,ROHM,Xilinx,Pulse,ON,Everlight and Freescale. Main products comprise IC,Modules,Potentiometer,IC Socket,Relay,Connector.Our parts cover such applications as commercial,industrial, and automotives areas.

We are looking forward to setting up business relationship with you and hope to provide you with the best service and solution. Let us make a better world for our industry!



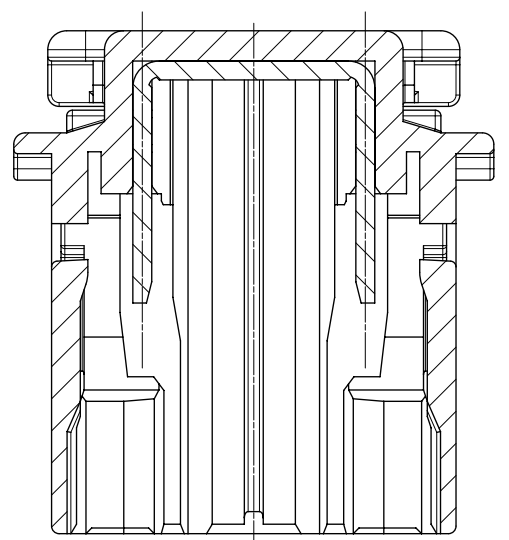
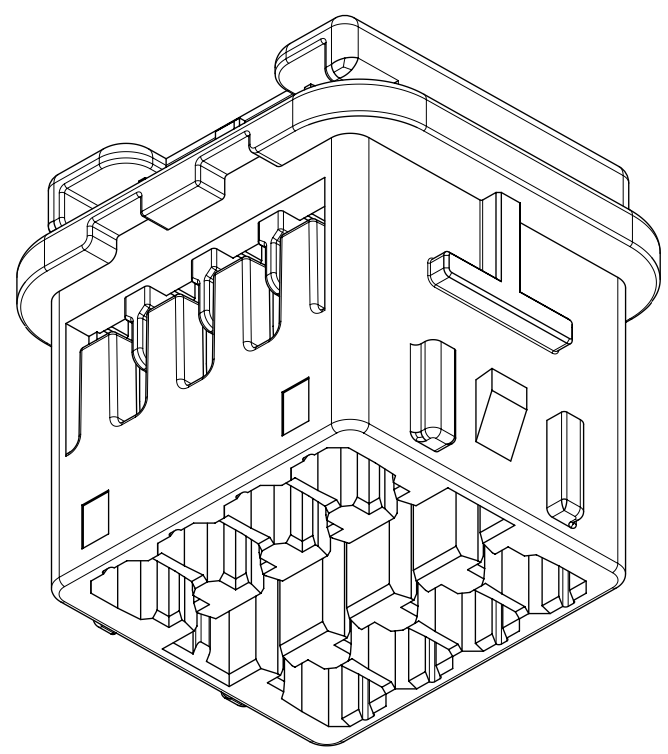
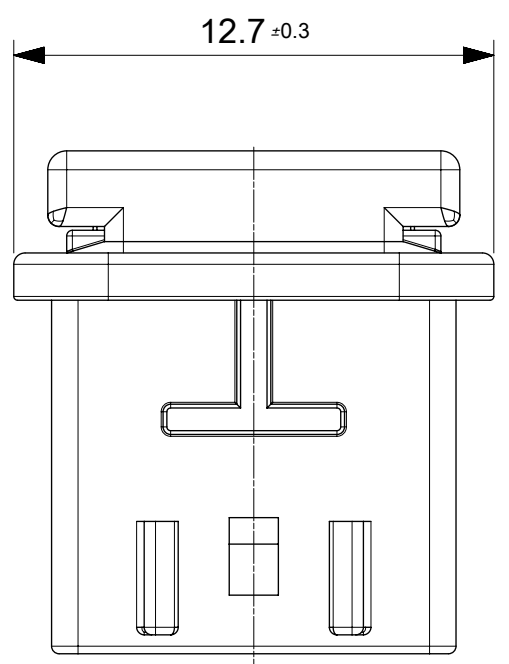
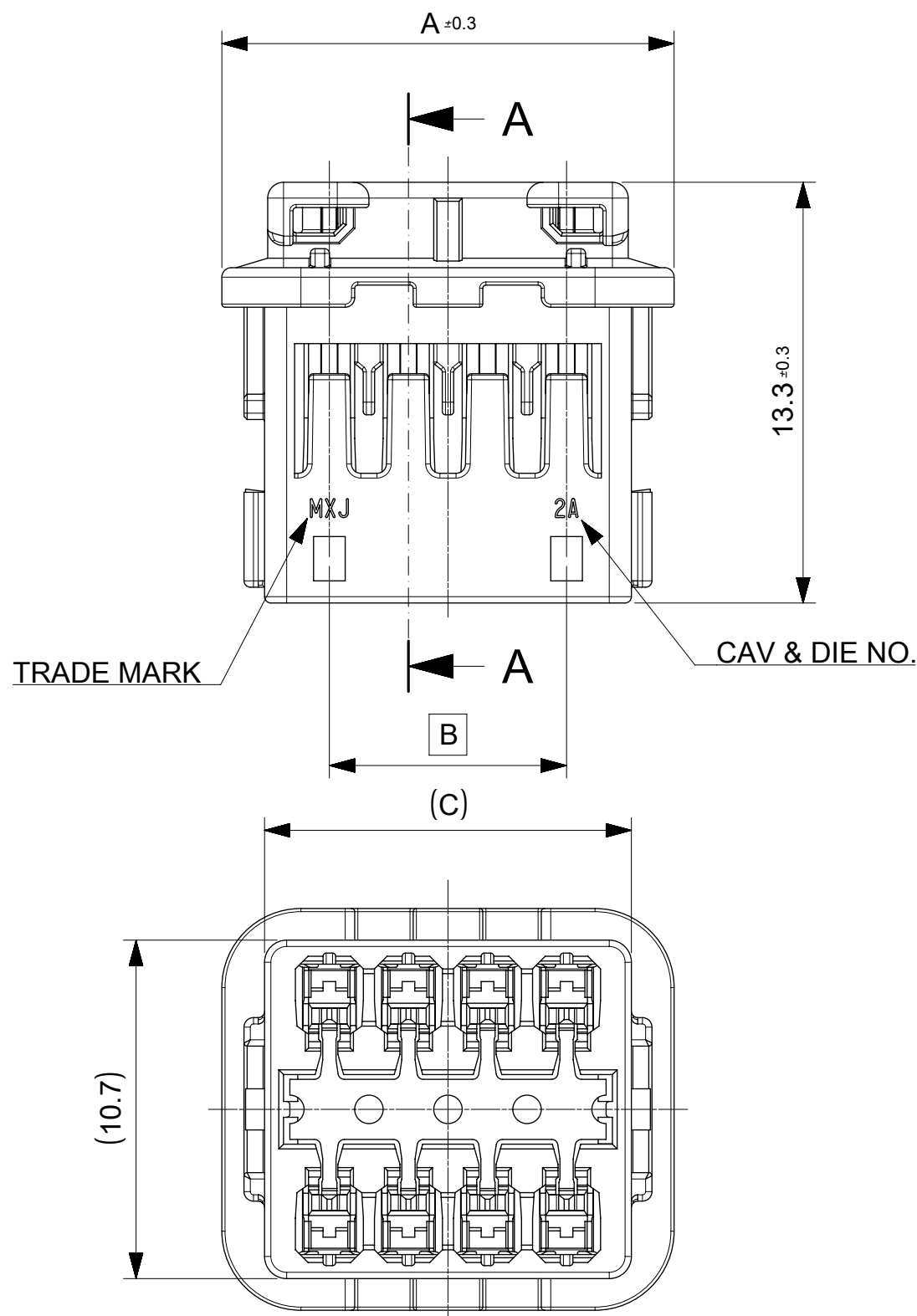
## Contact us

Tel: +86-755-8981 8866 Fax: +86-755-8427 6832

Email & Skype: info@chipsmall.com Web: www.chipsmall.com

Address: A1208, Overseas Decoration Building, #122 Zhenhua RD., Futian, Shenzhen, China





SECTION A-A

11.6	7.5	14.3	5055960801	8
9.1	5.0	11.8	5055960601	6
6.6	2.5	9.3	5055960401	4
C	B	A	製品番号 MATERIAL NO.	極数 CIRCUIT

注記  
**NOTES**  
 1.適合端子 :5055979\*00,561348\*00,561349\*00,593708\*00  
 APPLICABLE TERMINAL:5055979\*00,561348\*00,561349\*00,593708\*00  
 2.適合リテーナー :505594 シリーズ  
 APPLICABLE RETAINER:505594 SERIES  
 3.材料 MATERIAL  
 ハウジング:ポリアミド(PA66 UL94V-0 黒)  
 HOUSING :POLYAMIDE(PA66 UL94V-0 BLACK)  
 ピン:黄銅,ニッケル下地 1μm Min. 錫メッキ(半光沢)1μm Min.  
 PIN :BRASS,Sn(MATTE) 1 MICROMETER MINIMUM  
 OVER Ni PLATING 1 MICROMETER MINIMUM

THIS DRAWING CONTAINS INFORMATION THAT IS PROPRIETARY TO MOLEX ELECTRONIC TECHNOLOGIES, LLC AND SHOULD NOT BE USED WITHOUT WRITTEN PERMISSION

EC NO: 117526 DRWN: HKOBAYASHI CHK'D: SAKIYAMA APPR: TKANEKO	2017/06/08	GENERAL TOLERANCES (UNLESS SPECIFIED)		DIMENSION UNITS	SCALE				
	2017/06/28	ANGULAR TOL ± 3.0 °		MM	5:1				
	2017/06/29	4 PLACES ± 0.2	3 PLACES ± 0.2	DRWN BY	DATE				
	2017/06/28	2 PLACES ± 0.2	1 PLACE ± 0.2	HKOBAYASHI	2017/06/08				
A REV	A REV	0 PLACES ± 0.2	DRAFT WHERE APPLICABLE MUST REMAIN WITHIN DIMENSIONS	CHK'D BY	DATE	MUO 2.5 WW DUAL ROW CONNECTOR HOUSING ASSEMBLY			
		TKANEKO	2017/06/29	SAKIYAMA	2017/06/28				
		APPR BY	DATE	PRODUCT CUSTOMER DRAWING					
		TKANEKO	2017/06/29	SERIES	MATERIAL NUMBER		CUSTOMER		
A3		DRAFT WHERE APPLICABLE MUST REMAIN WITHIN DIMENSIONS		DRAWING SIZE	THIRD ANGLE PROJECTION	505596	SEE CHART	GENERAL MARKET	
A3		DRAFT WHERE APPLICABLE MUST REMAIN WITHIN DIMENSIONS				DOCUMENT NUMBER	DOC TYPE	DOC PART	SHEET NUMBER
A3		DRAFT WHERE APPLICABLE MUST REMAIN WITHIN DIMENSIONS				5055960000-SD	PSD	000	1 OF 1