



Chipsmall Limited consists of a professional team with an average of over 10 year of expertise in the distribution of electronic components. Based in Hongkong, we have already established firm and mutual-benefit business relationships with customers from,Europe,America and south Asia,supplying obsolete and hard-to-find components to meet their specific needs.

With the principle of “Quality Parts,Customers Priority,Honest Operation,and Considerate Service”,our business mainly focus on the distribution of electronic components. Line cards we deal with include Microchip,ALPS,ROHM,Xilinx,Pulse,ON,Everlight and Freescale. Main products comprise IC,Modules,Potentiometer,IC Socket,Relay,Connector.Our parts cover such applications as commercial,industrial, and automotives areas.

We are looking forward to setting up business relationship with you and hope to provide you with the best service and solution. Let us make a better world for our industry!



## Contact us

Tel: +86-755-8981 8866 Fax: +86-755-8427 6832

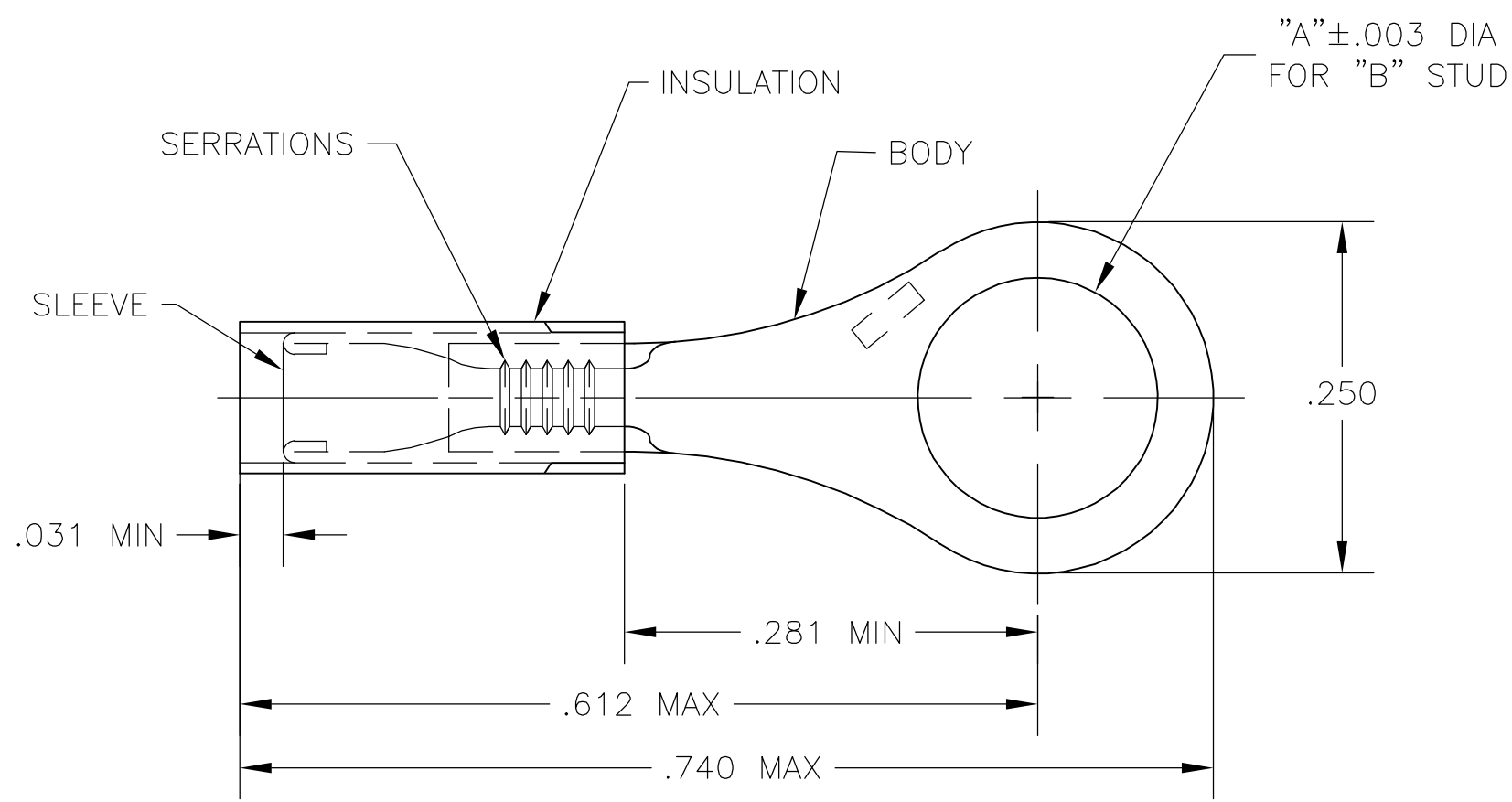
Email & Skype: info@chipsmall.com Web: www.chipsmall.com

Address: A1208, Overseas Decoration Building, #122 Zhenhua RD., Futian, Shenzhen, China



THIS DRAWING IS UNPUBLISHED. RELEASED FOR PUBLICATION  
 © COPYRIGHT BY TYCO ELECTRONICS CORPORATION. ALL RIGHTS RESERVED.

LOC	DIST	REVISIONS					
G	02	P	LTR	DESCRIPTION	DATE	DWN	APVD
		P2		REV PER ECR 06-028261	04DEC06	JR	TM



- 1 STAMPED AMP, LOCATION APPROX AS SHOWN
- 2 TONGUE MATERIAL THK IS .018±.002
- 3 BODY: COPPER ASTM B152  
NICKEL PL QQ-N-290  
.0003 AVG EXT. THK
- 4 SLEEVE: COPPER ASTM B152  
NICKEL PL QQ-N-290  
.00003 AVG EXT. THK
- 5 INSULATION: TEFLON ASTM D3295  
COLOR - BLACK
- 6 FOR .032 TO .082 WIRE  
INSULATION DIA.

1000	.197	#10	LOOSE PIECE	50830-2
1000	.171	#8	LOOSE PIECE	50830-1
1000	.145	#6	LOOSE PIECE	50830
QTY	"A"	"B"	PACKAGE TYPE	PART NO

AMP INCORPORATED CUSTOMER SERVICE SYSTEMS		MAX RECOMMENDED OPERATING TEMPERATURE: 288°C	THIS DRAWING IS A CONTROLLED DOCUMENT.		DWN jr_ruth 11AUG03	Tyco Electronics Corporation Harrisburg, PA 17105-3608			
FOR ADDITIONAL PRODUCT INFORMATION OR COPIES OF DRAWINGS AND TECHNICAL DOCUMENTS	PRODUCT INFORMATION CENTER 1-800-522-6752	VOLTAGE RATING: 300V MAX	DIMENSIONS: INCHES	TOLERANCES UNLESS OTHERWISE SPECIFIED:	CHK T MICHIELUTTI 12AUG03	NAME T MICHIELUTTI 12AUG03			
FOR APPLICATION TOOLING INFORMATION	TOOLING ASSISTANCE CENTER 1-800-722-1111	CIRCULAR MIL AREA: 0.12-0.24mm² [238-475] STRANDED		0 PLC ± - 1 PLC ± - 2 PLC ± - 3 PLC ± .005 4 PLC ± - ANGLES ± 1'	APVD T MICHIELUTTI 12AUG03	PRODUCT SPEC - APPLICATION SPEC -			
FOR ORDER ENTRY	1-800-526-5142	THIS DRAWING IS A CONTROLLED DOCUMENT FOR AMP INCORPORATED. IT IS SUBJECT TO CHANGE AND THE CONTROLLING ENGINEERING ORGANIZATION SHOULD BE CONTACTED FOR THE LATEST REVISION.	MATERIAL	FINISH	WEIGHT -	SIZE A3	CAGE CODE 00779	DRAWING NO C-50830	RESTRICTED TO -
					CUSTOMER DRAWING		SCALE 8:1	SHEET 1 OF 1	REV P2