



Chipsmall Limited consists of a professional team with an average of over 10 year of expertise in the distribution of electronic components. Based in Hongkong, we have already established firm and mutual-benefit business relationships with customers from,Europe,America and south Asia,supplying obsolete and hard-to-find components to meet their specific needs.

With the principle of "Quality Parts,Customers Priority,Honest Operation,and Considerate Service",our business mainly focus on the distribution of electronic components. Line cards we deal with include Microchip,ALPS,ROHM,Xilinx,Pulse,ON,Everlight and Freescale. Main products comprise IC,Modules,Potentiometer,IC Socket,Relay,Connector.Our parts cover such applications as commercial,industrial, and automotives areas.

We are looking forward to setting up business relationship with you and hope to provide you with the best service and solution. Let us make a better world for our industry!



Contact us

Tel: +86-755-8981 8866 Fax: +86-755-8427 6832

Email & Skype: info@chipsmall.com Web: www.chipsmall.com

Address: A1208, Overseas Decoration Building, #122 Zhenhua RD., Futian, Shenzhen, China

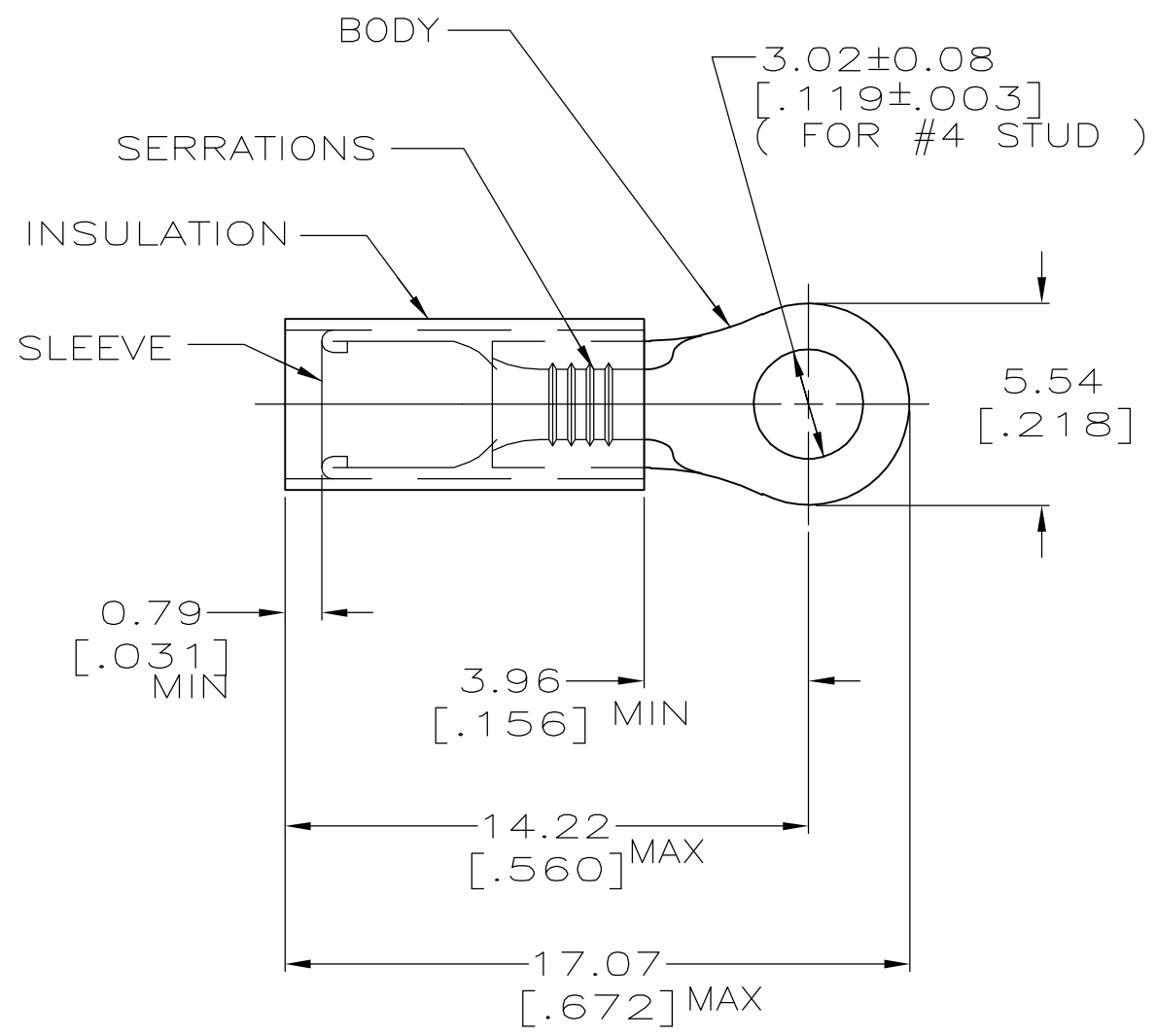


THIS DRAWING IS UNPUBLISHED. RELEASED FOR PUBLICATION
 © COPYRIGHT BY TYCO ELECTRONICS CORPORATION. ALL RIGHTS RESERVED.

LOC	DIST	REVISIONS			
P	LTR	DESCRIPTION	DATE	DWN	APVD
G	14				
		K2	REV PER ECR 05-013140	20OCT05	JR TM

AMP
WIRE RANGE

18-16 AWG
STRANDED ONLY



- 1 STAMP " AMP 18-16"
- 2 FOR 1.40 TO 3.43 [.055 TO .135] WIRE INSULATION DIA.
- 3 TONGUE MATERIAL THK: 0.79±0.05 [.031±.002]
- △4 BODY: MATERIAL: COPPER ASTM B152
FINISH: NICKEL PL. (QQ-N-290)
0.0076 [.0003] AVG EXT THK.
- △5 SLEEVE: MATERIAL: COPPER ASTM B152
FINISH: NICKEL PL. (QQ-N-290)
0.0076 [.0003] AVG EXT THK.
- △6 INSULATION: MATERIAL: TEFLON (ASTM D3295)
COLOR: ORANGE
- △7 PRELIMINARY - NOT FOR PRODUCTION

5000	ON TAPE	△7 50834-1
1000	LOOSE PIECE	50834
QTY	PACKAGE TYPE	PART NO.

AMP INCORPORATED
CUSTOMER SERVICE SYSTEMS

FOR ADDITIONAL PRODUCT INFORMATION OR COPIES OF DRAWINGS AND TECHNICAL DOCUMENTS
 PRODUCT INFORMATION CENTER
 1-800-522-6752

FOR APPLICATION TOOLING INFORMATION
 TOOLING ASSISTANCE CENTER
 1-800-722-1111

FOR ORDER ENTRY
 1-800-526-5142

MAX RECOMMENDED OPERATING TEMPERATURE:
288°C [550° F]

VOLTAGE RATING:
300V MAX

CIRCULAR MIL AREA:
0.81-1.42mm² [1600-2800]
STRANDED WIRE ONLY

THIS DRAWING IS A CONTROLLED DOCUMENT.

DIMENSIONS: MM [INCHES]

TOLERANCES UNLESS OTHERWISE SPECIFIED:

0 PLC ± -
 1 PLC ± -
 2 PLC ± 0.20 [.008]
 3 PLC ± -
 4 PLC ± -
 ANGLES ± -

MATERIAL △4 △5 △6

FINISH △4 △5 △6

DWN JR RUTH 05JAN99
 CHK RE HERSEY 05JAN99
 APVD T MICHIELUTTI 05JAN99
 PRODUCT SPEC -
 APPLICATION SPEC -
 WEIGHT -

tyco Tyco Electronics Corporation
Electronics Harrisburg, PA 17105-3608

NAME: TERMINAL, PIDG , STRATO-THERM, RING TONGUE, WIRE SIZE: 18-16

SIZE: A3 CAGE CODE: 00779 DRAWING NO: C=50834 RESTRICTED TO: -

CUSTOMER DRAWING SCALE: 5:1 SHEET: 1 OF 1 REV: K2