



Chipsmall Limited consists of a professional team with an average of over 10 year of expertise in the distribution of electronic components. Based in Hongkong, we have already established firm and mutual-benefit business relationships with customers from,Europe,America and south Asia,supplying obsolete and hard-to-find components to meet their specific needs.

With the principle of “Quality Parts,Customers Priority,Honest Operation,and Considerate Service”,our business mainly focus on the distribution of electronic components. Line cards we deal with include Microchip,ALPS,ROHM,Xilinx,Pulse,ON,Everlight and Freescale. Main products comprise IC,Modules,Potentiometer,IC Socket,Relay,Connector.Our parts cover such applications as commercial,industrial, and automotives areas.

We are looking forward to setting up business relationship with you and hope to provide you with the best service and solution. Let us make a better world for our industry!



Contact us

Tel: +86-755-8981 8866 Fax: +86-755-8427 6832

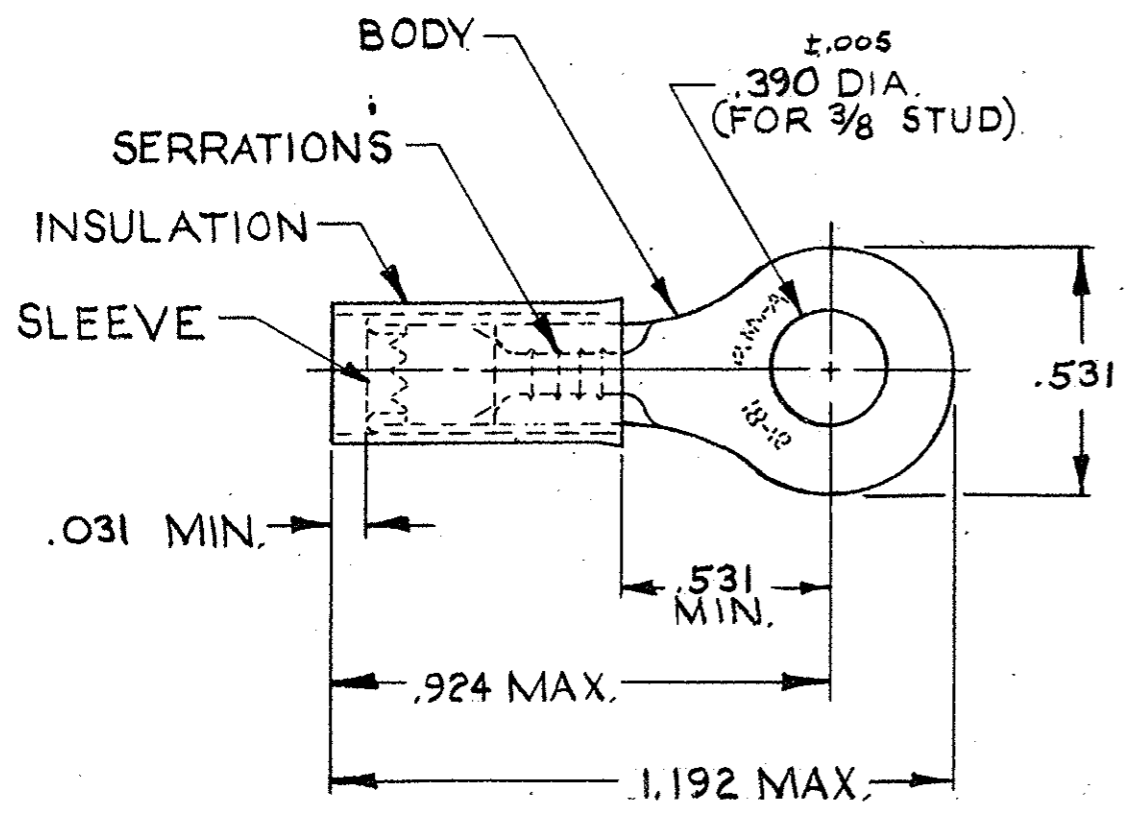
Email & Skype: info@chipsmall.com Web: www.chipsmall.com

Address: A1208, Overseas Decoration Building, #122 Zhenhua RD., Futian, Shenzhen, China




© 1967 BY AMP INCORPORATED. ALL RIGHTS RESERVED. AMP PRODUCTS COVERED BY PATENTS AND/OR PATENTS PENDING.

REVISIONS				
ZONE	LTR	DESCRIPTION	DATE	APPROVED
	B	REDRAWN & REV. P6077 SK	7-30-69	FCY
	C	REVISED PC-5579 LHM	10-8-70	JME
	D	REVISED PC-5578 TC	2-23-77	L.D
	E	REV/ 0410-0094-98	2-5-99	ME/MS
	E1	REV PER ECR 05-013140	10/20/05	dr/jm



FOR .055 TO .135 WIRE INSULATION DIA.
TONGUE MATERIAL THK = .031 ±.002

1	WIRE TERMINAL	50838	BODY: COPPER (ASTM B152) NICKEL PLATE (QQ-N-290) .0003 AVG. EXT. THK.		
			SLEEVE: COPPER (ASTM B152) NICKEL PL (QQ-N-290). 00003 AVG. EXT. THK.		
			INSULATION: TEFLON (ASTM D3295) COLOR: ORANGE		
QTY	DESCRIPTION	PART NO.	MATERIAL & FINISH		
UNLESS OTHERWISE SPECIFIED DIMENSIONS ARE IN INCHES TOLERANCES ON: DECIMALS ± .008 ANGLES ± 5°		CONTRACT NO. H	 AMP INCORPORATED HARRISBURG, PENNSYLVANIA		
MATERIAL		DR. <i>Steve Kantz</i> 7-24-69			
SEE TABLE		CHK. <i>R.C. Longfield</i> 7-30-69	NAME WIRE TERMINAL		
		APPD. <i>L. Swabel</i> 8-6-69	PIDG - STRATO-THERM - RING TONGUE		
		REL. <i>J.M. Evans</i> 8/6/69	WIRE SIZE: 18-16		
		DSGN APPD.	SIZE B	CODE IDENT NO. 00779	NUMBER 50838
		OTHER APPD.	SCALE NTS	SHEET 10F1	