



Chipsmall Limited consists of a professional team with an average of over 10 year of expertise in the distribution of electronic components. Based in Hongkong, we have already established firm and mutual-benefit business relationships with customers from,Europe,America and south Asia,supplying obsolete and hard-to-find components to meet their specific needs.

With the principle of “Quality Parts,Customers Priority,Honest Operation,and Considerate Service”,our business mainly focus on the distribution of electronic components. Line cards we deal with include Microchip,ALPS,ROHM,Xilinx,Pulse,ON,Everlight and Freescale. Main products comprise IC,Modules,Potentiometer,IC Socket,Relay,Connector.Our parts cover such applications as commercial,industrial, and automotives areas.

We are looking forward to setting up business relationship with you and hope to provide you with the best service and solution. Let us make a better world for our industry!



Contact us

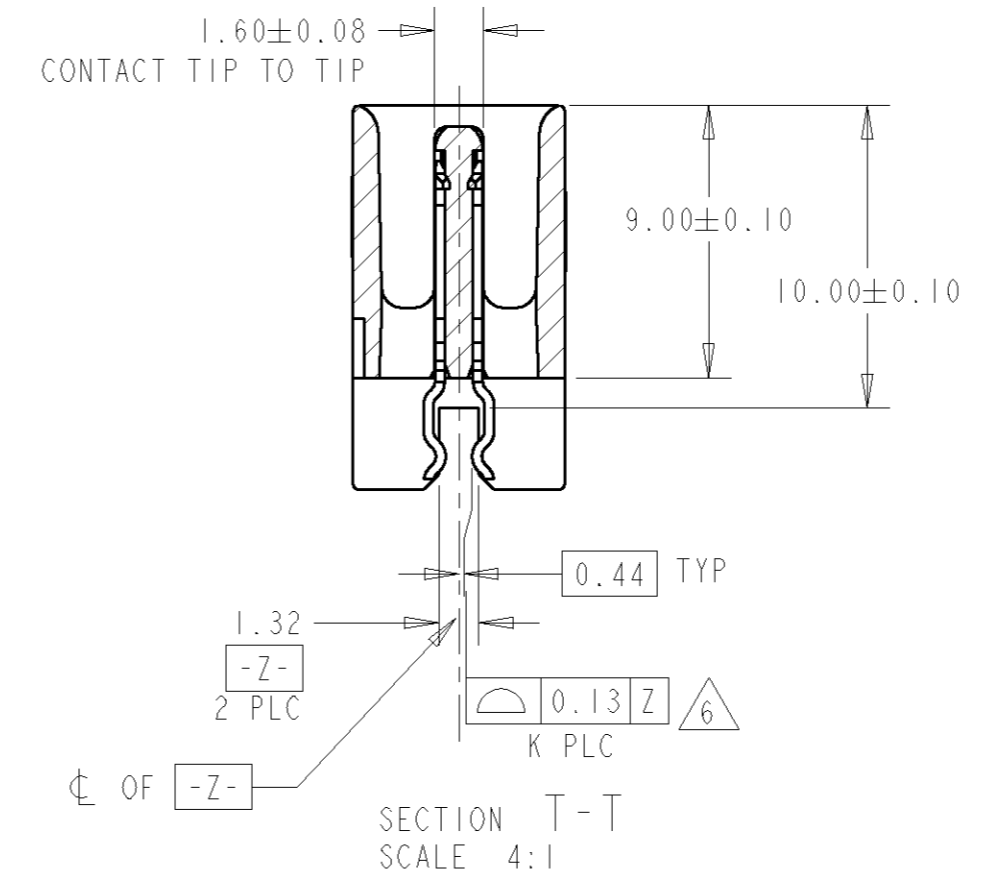
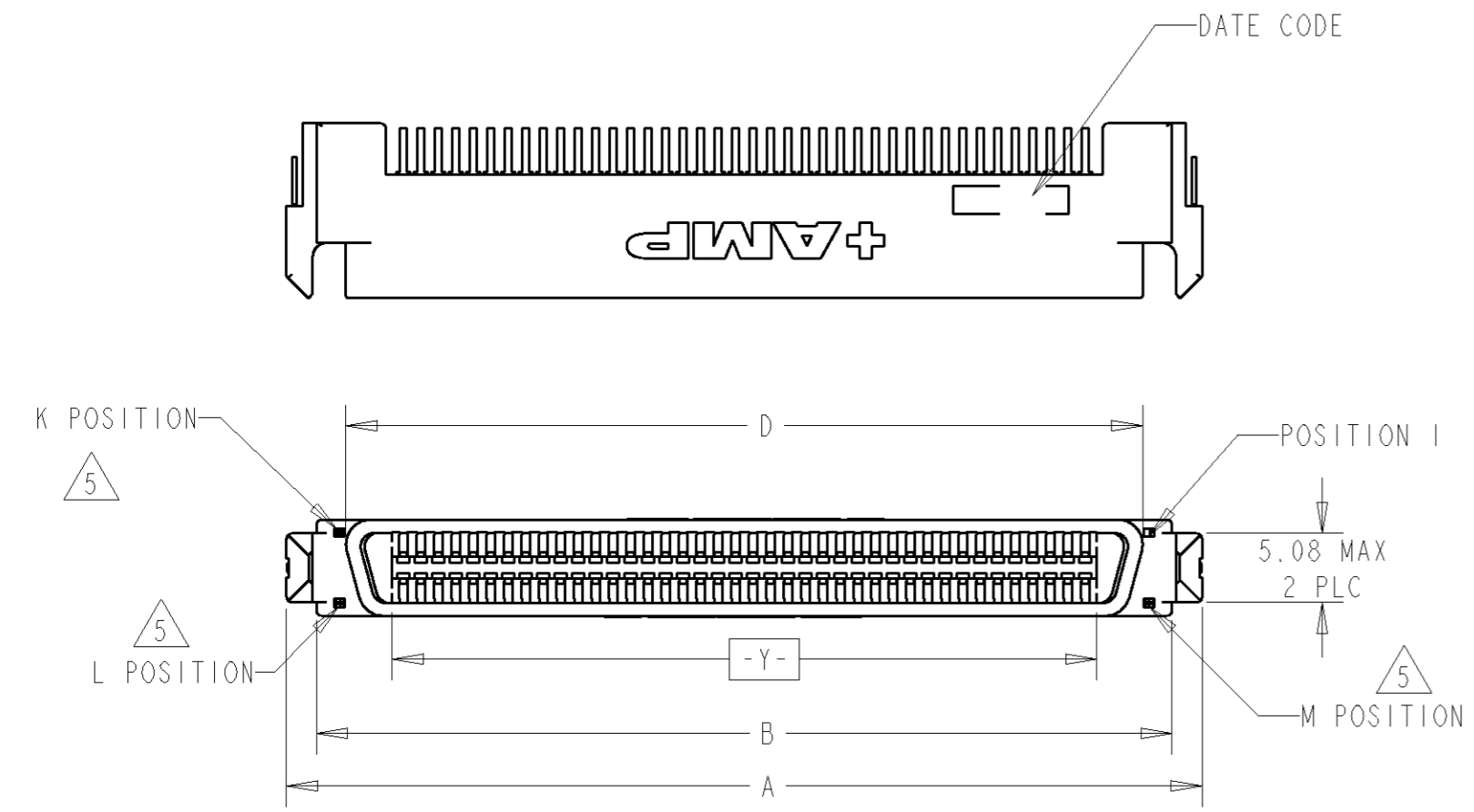
Tel: +86-755-8981 8866 Fax: +86-755-8427 6832

Email & Skype: info@chipsmall.com Web: www.chipsmall.com

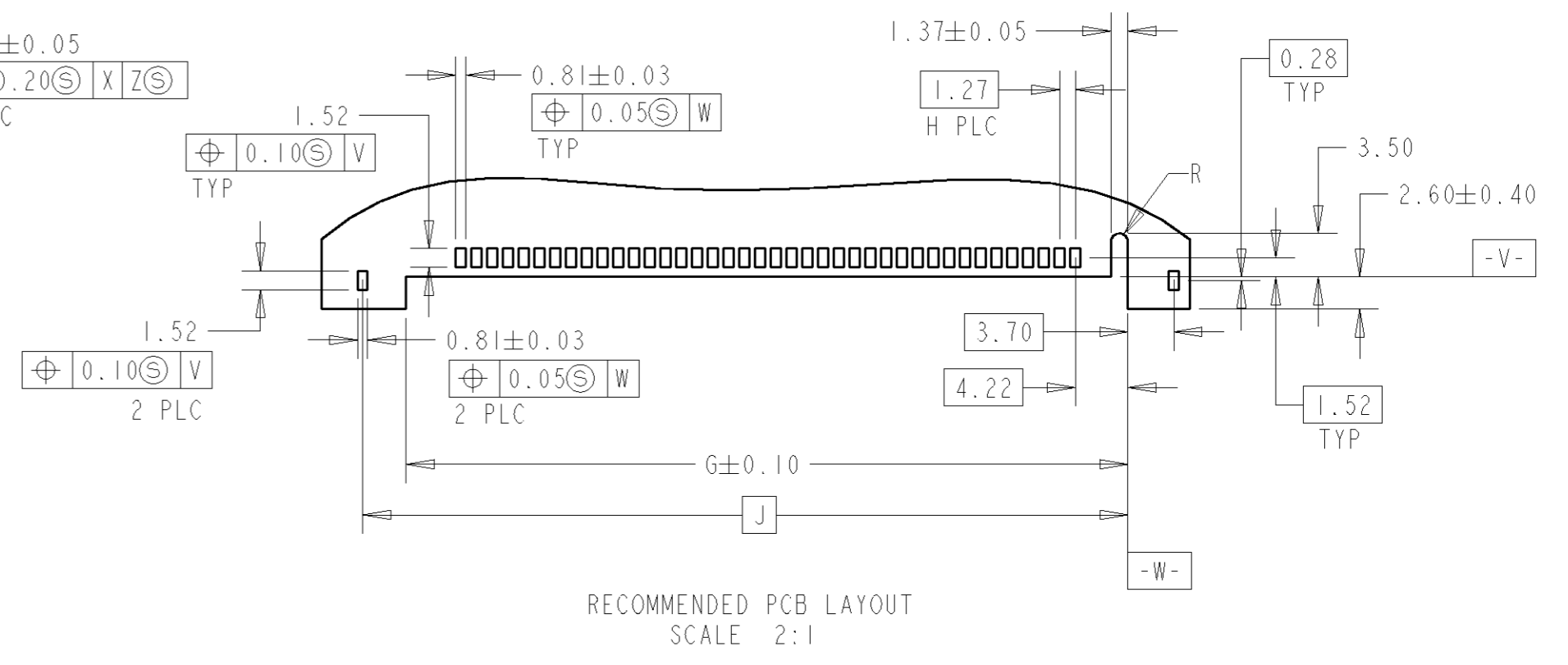
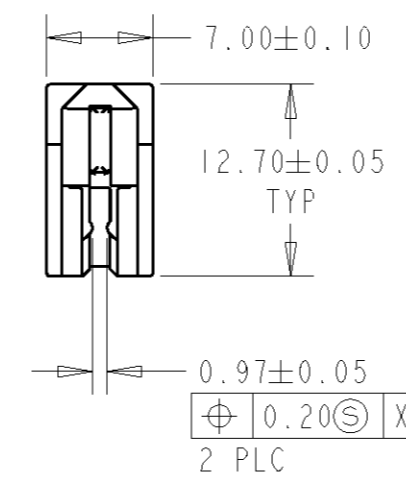
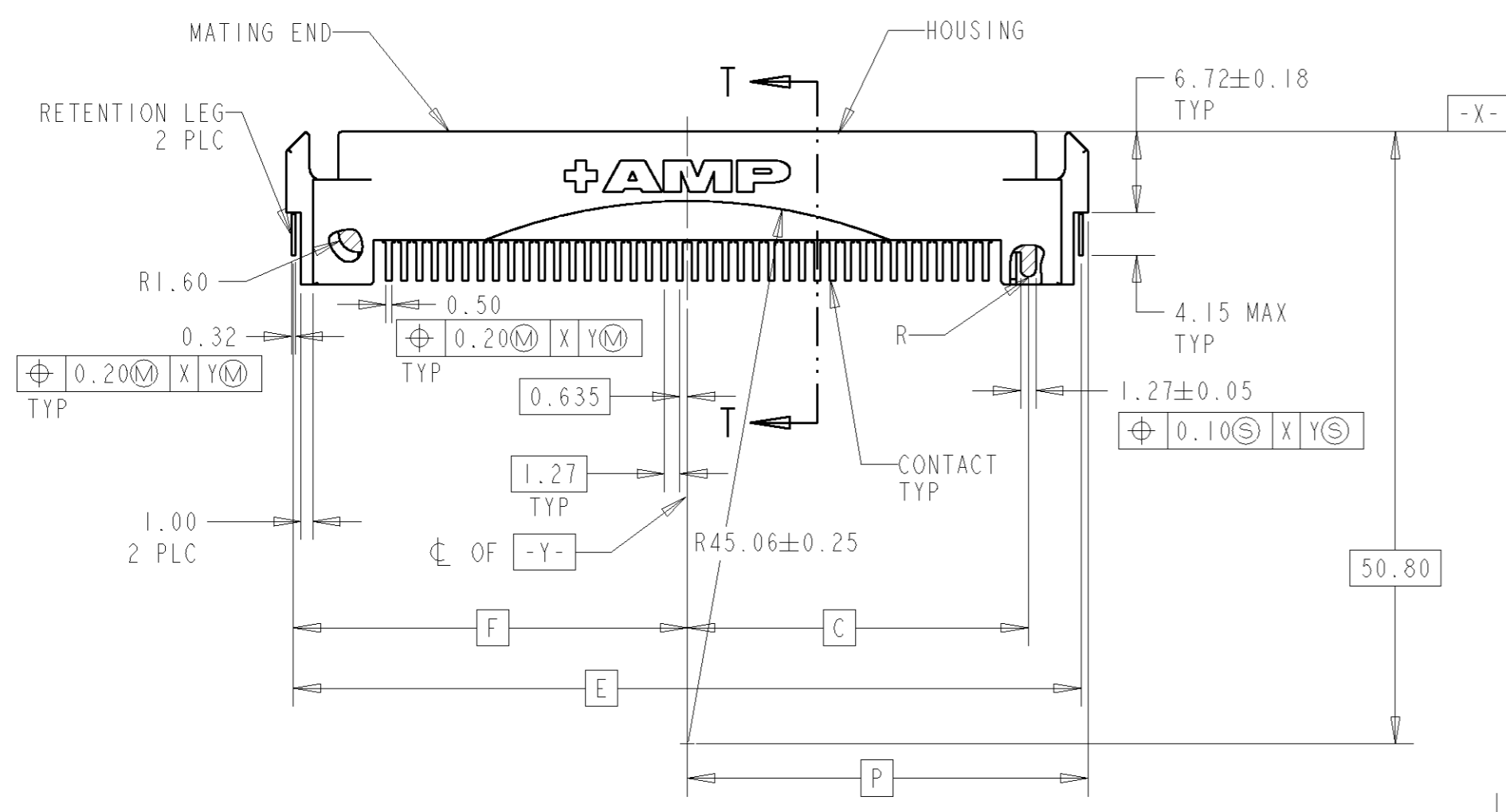
Address: A1208, Overseas Decoration Building, #122 Zhenhua RD., Futian, Shenzhen, China



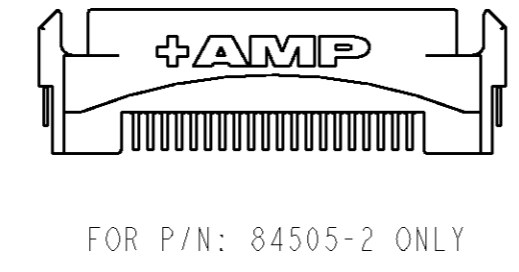
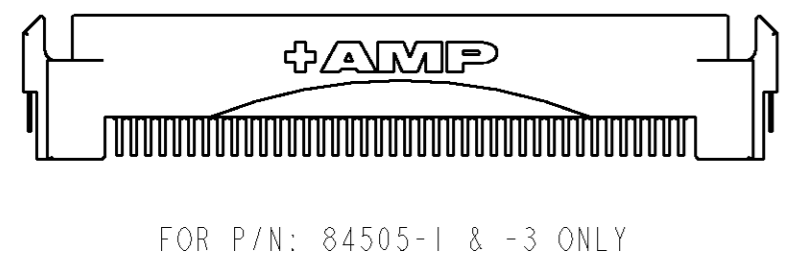
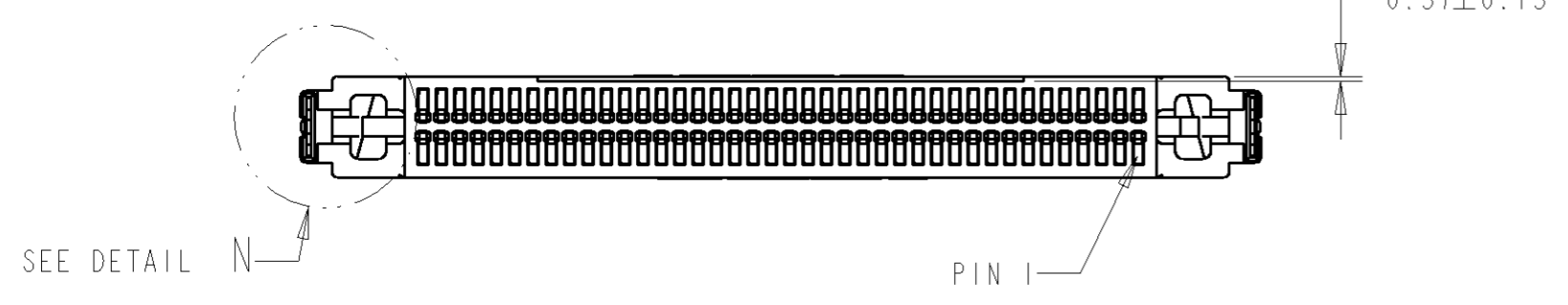
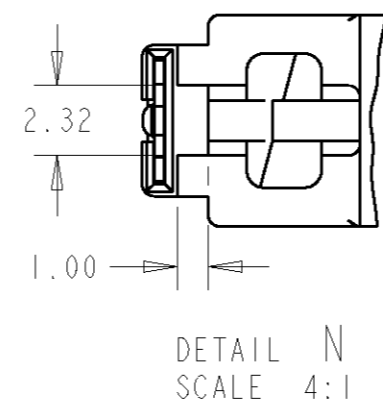
LOC		DIST		REVISIONS			
P	LTR	DATE	DWN	APVD			
0		NPR FP00-0349-04	19JAN05	LWY	VT		



- 1 HOUSING: LCP, UL 94V-0 RATED, BLACK
 CONTACTS: PHOSPHOR BRONZE
 RETENTION LEGS: BRASS
- 2 0.76µm MIN GOLD FOR A LENGTH 2.00 STARTING 1.00 MAX FROM MATING END. 3.81µm MIN TIN FOR A LENGTH OF 3.43 MIN FROM OPPOSITE END, BOTH OVER 1.27-2.54µm MIN NICKEL
- 3 3.81 µm MIN TIN OVER 1.27-2.54µm MIN NICKEL
- 4 RECOMMENDED PCB THICKNESS: 1.14±0.13mm
- 5 K, L AND M INDICATES NUMBER OF TERMINAL POSITIONS.
- 6 TOLERANCE APPLIES AT CONTACT MATING SURFACE.



RECOMMENDED PCB LAYOUT
 SCALE 2:1



TRAY	33.25	41	80	40	61.67	39	58.17	32.680	65.36	57.87	28.30	62.15	66.50	80	5084505-3
TUBE	20.55	21	40	20	36.27	19	32.77	19.975	39.95	32.47	15.60	36.75	41.10	40	5084505-2
TUBE	33.25	41	80	40	61.67	39	58.17	32.680	65.36	57.87	28.30	62.15	66.50	80	5084505-1
PACKAGING	P	M	L	K	J	H	G	F	E	D	C	B	A	POS.	PART NO.

THIS DRAWING IS A CONTROLLED DOCUMENT FOR AMP INCORPORATED. IT IS SUBJECT TO CHANGE AND THE CONTROLLING ENGINEERING ORGANIZATION SHOULD BE CONTACTED FOR THE LATEST REVISION.		DWN WYLEE 19JAN05	tyco Tyco Electronics Electronics Singapore Pte. Ltd.	
DIMENSIONS: mm TOLERANCES UNLESS OTHERWISE SPECIFIED: 0 PLC ± 1 PLC ±0.15 2 PLC ±0.15 3 PLC ±0.15 4 PLC ± ANGLES ±° FINISH		VINCENT TAN SF LEONG 108-1548 114-6061	NAME PLUG ASSY, STRADDLE MOUNT WITH RADIUS, CHAMP BLINDMATE .050 SERIES I SIZE A2 CAGE CODE 00779 DRAWING NO. C-5084505 SCALE 2:1	
MATERIAL	1	2 3	SHEET 1 OF 1 REV 0 CUSTOMER DRAWING	