



Chipsmall Limited consists of a professional team with an average of over 10 year of expertise in the distribution of electronic components. Based in Hongkong, we have already established firm and mutual-benefit business relationships with customers from,Europe,America and south Asia,supplying obsolete and hard-to-find components to meet their specific needs.

With the principle of “Quality Parts,Customers Priority,Honest Operation,and Considerate Service”,our business mainly focus on the distribution of electronic components. Line cards we deal with include Microchip,ALPS,ROHM,Xilinx,Pulse,ON,Everlight and Freescale. Main products comprise IC,Modules,Potentiometer,IC Socket,Relay,Connector.Our parts cover such applications as commercial,industrial, and automotives areas.

We are looking forward to setting up business relationship with you and hope to provide you with the best service and solution. Let us make a better world for our industry!



Contact us

Tel: +86-755-8981 8866 Fax: +86-755-8427 6832

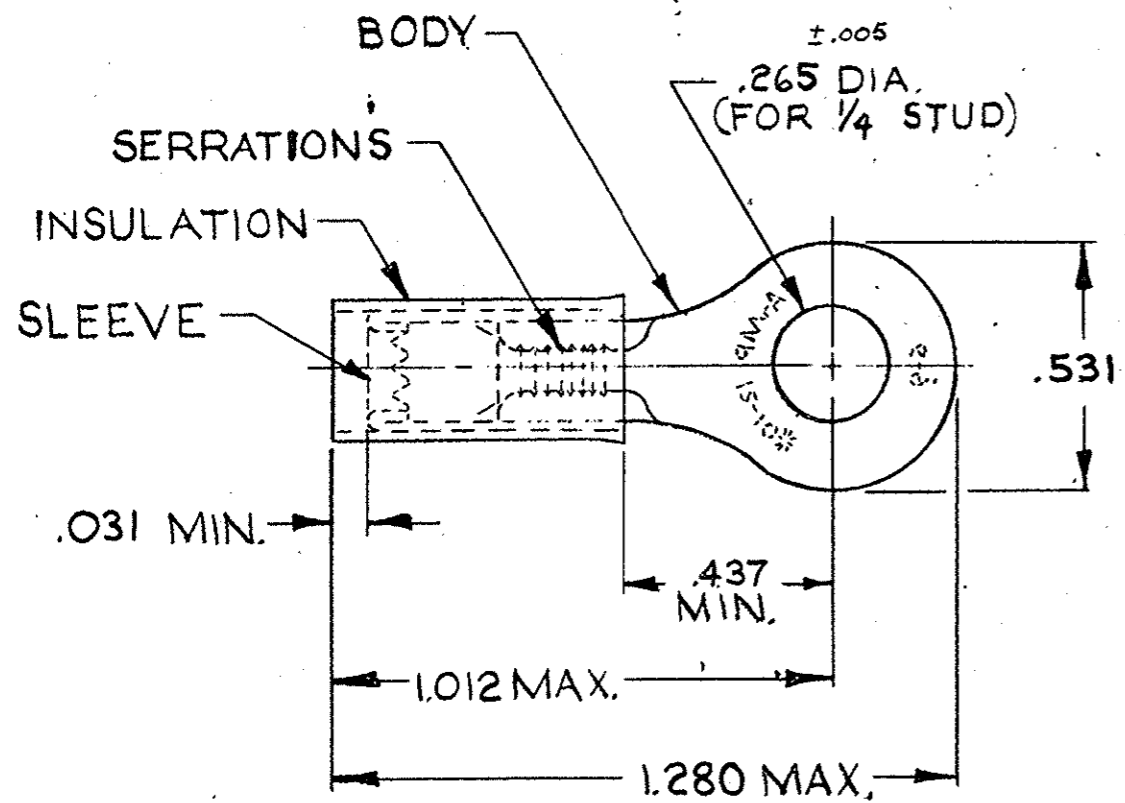
Email & Skype: info@chipsmall.com Web: www.chipsmall.com

Address: A1208, Overseas Decoration Building, #122 Zhenhua RD., Futian, Shenzhen, China




© 1967 BY AMP INCORPORATED. ALL RIGHTS RESERVED. AMP PRODUCTS COVERED BY PATENTS AND/OR PATENTS PENDING.

REVISIONS				
ZONE	LTR	DESCRIPTION	DATE	APPROVED
	B	REDRAWN & REV.	P-6077 SK 7-30-69	FCY
	C	REVISED	PC-5579 WM 10-8-70	me
	D	REVISED	PC-5578 TC 2-23-77	L.D.
	E	REV/0610-0094-98	2-4-99	ME/JS
	E1	REV PER ECR 05-013140	10/20/05	KE/TM



FOR .102 TO .214 WIRE INSULATION DIA.
TONGUE MATERIAL THK. = .040 ±.002

QTY		DESCRIPTION	PART NO.	MATERIAL & FINISH	
		WIRE TERMINAL	50846	BODY: COPPER (ASTM B152) NICKEL PLATE (QQ-N-290) .0003 AVG EXT. THK. SLEEVE: COPPER (ASTM B152) NICKEL PL (QQ-N-290).00003 AVG. EXT. THK. INSULATION: TEFLON (ASTM D3295) COLOR: BLACK	
UNLESS OTHERWISE SPECIFIED DIMENSIONS ARE IN INCHES		CONTRACT NO. 11		 AMP INCORPORATED HARRISBURG, PENNSYLVANIA	
TOLERANCES ON: DECIMALS ±.008 ANGLES ± 5°		DR. Steve Kautz 7-29-69			
MATERIAL SEE TABLE		CHK. F.L. [Signature] 7-30-69		NAME WIRE TERMINAL	
		APPD. [Signature] 8-6-69		PIDG™- STRATO-THERM - RING TONGUE	
		REL. [Signature] 8-6-69		WIRE SIZE: 12-10	
		DSGN APPD.		SIZE B	CODE IDENT NO. 00779
		OTHER APPD.		SCALE NTS	SHEET 10F1