



Chipsmall Limited consists of a professional team with an average of over 10 year of expertise in the distribution of electronic components. Based in Hongkong, we have already established firm and mutual-benefit business relationships with customers from,Europe,America and south Asia,supplying obsolete and hard-to-find components to meet their specific needs.

With the principle of “Quality Parts,Customers Priority,Honest Operation,and Considerate Service”,our business mainly focus on the distribution of electronic components. Line cards we deal with include Microchip,ALPS,ROHM,Xilinx,Pulse,ON,Everlight and Freescale. Main products comprise IC,Modules,Potentiometer,IC Socket,Relay,Connector.Our parts cover such applications as commercial,industrial, and automotives areas.

We are looking forward to setting up business relationship with you and hope to provide you with the best service and solution. Let us make a better world for our industry!



Contact us

Tel: +86-755-8981 8866 Fax: +86-755-8427 6832

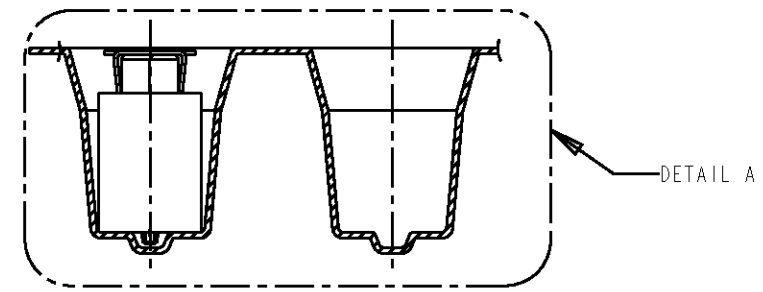
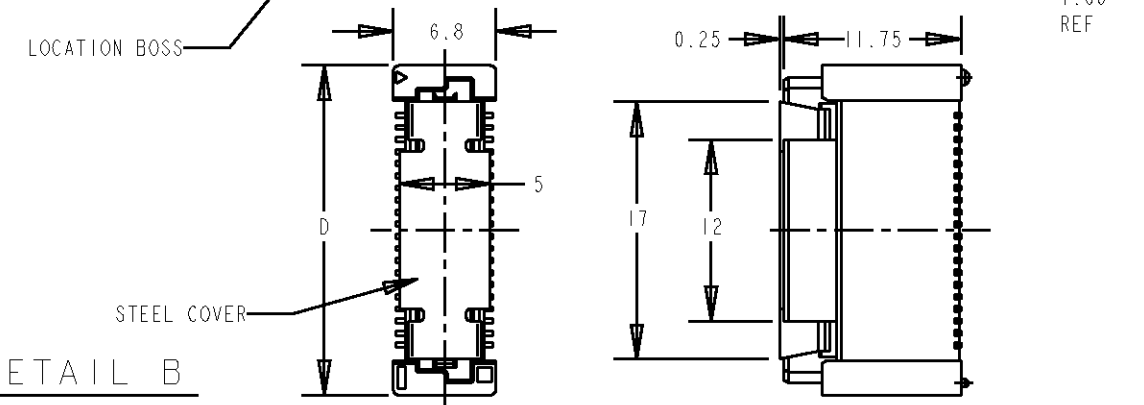
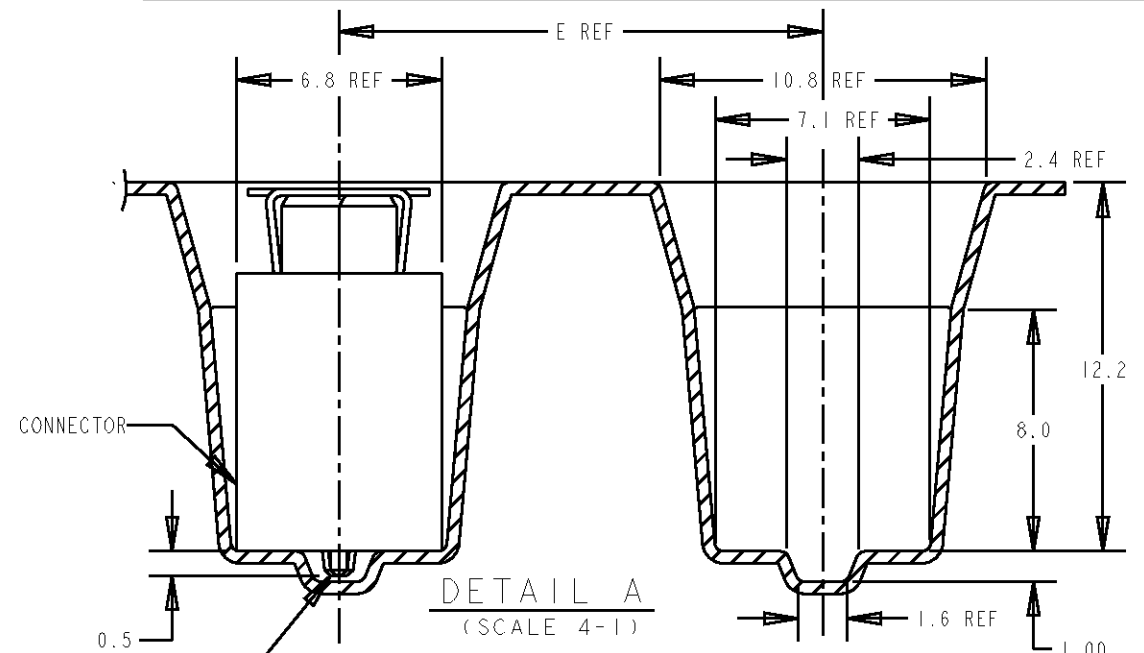
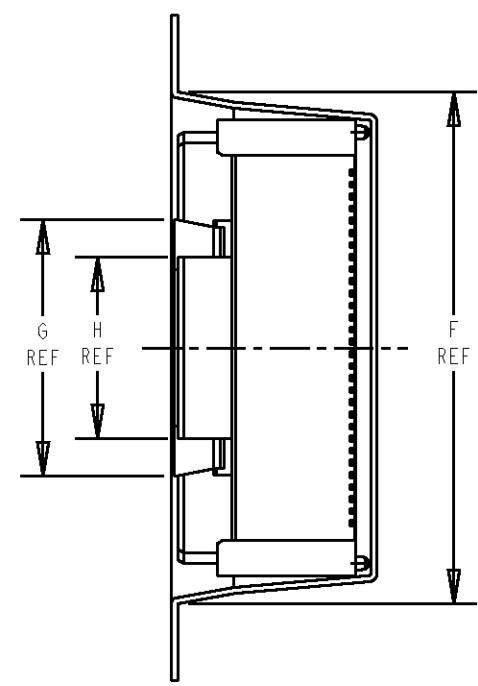
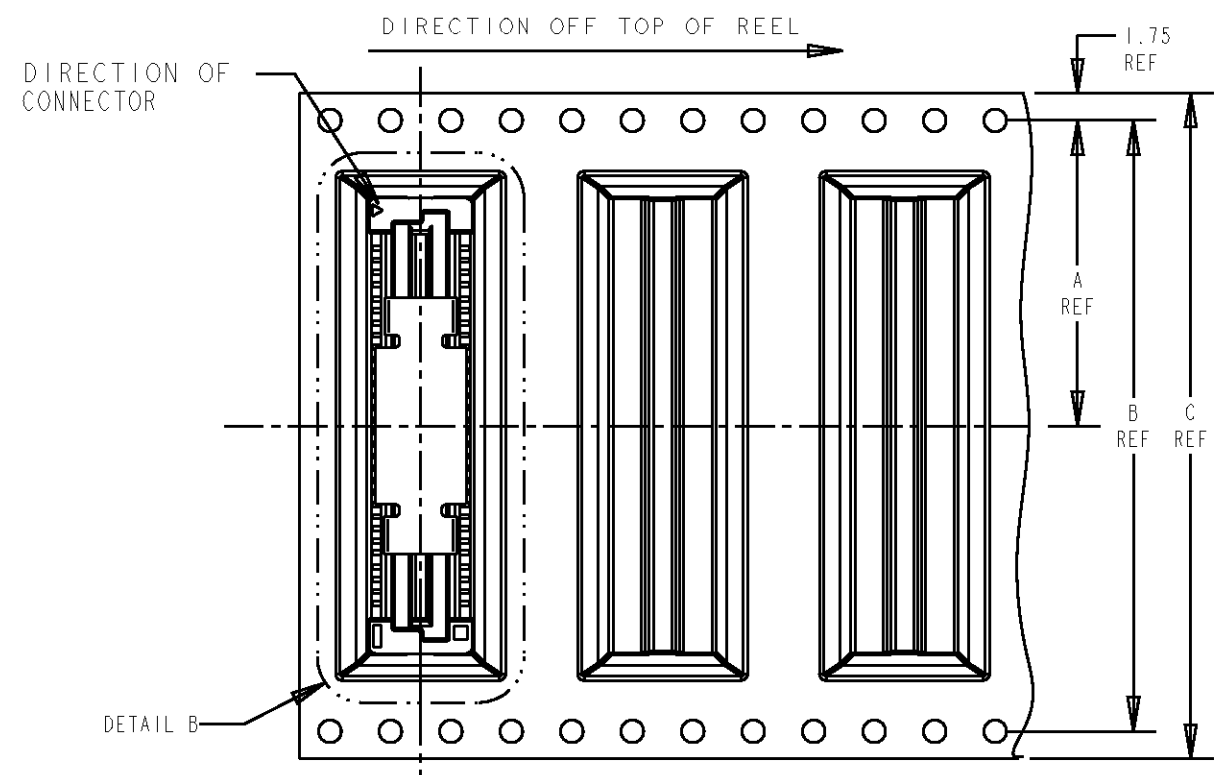
Email & Skype: info@chipsmall.com Web: www.chipsmall.com

Address: A1208, Overseas Decoration Building, #122 Zhenhua RD., Futian, Shenzhen, China

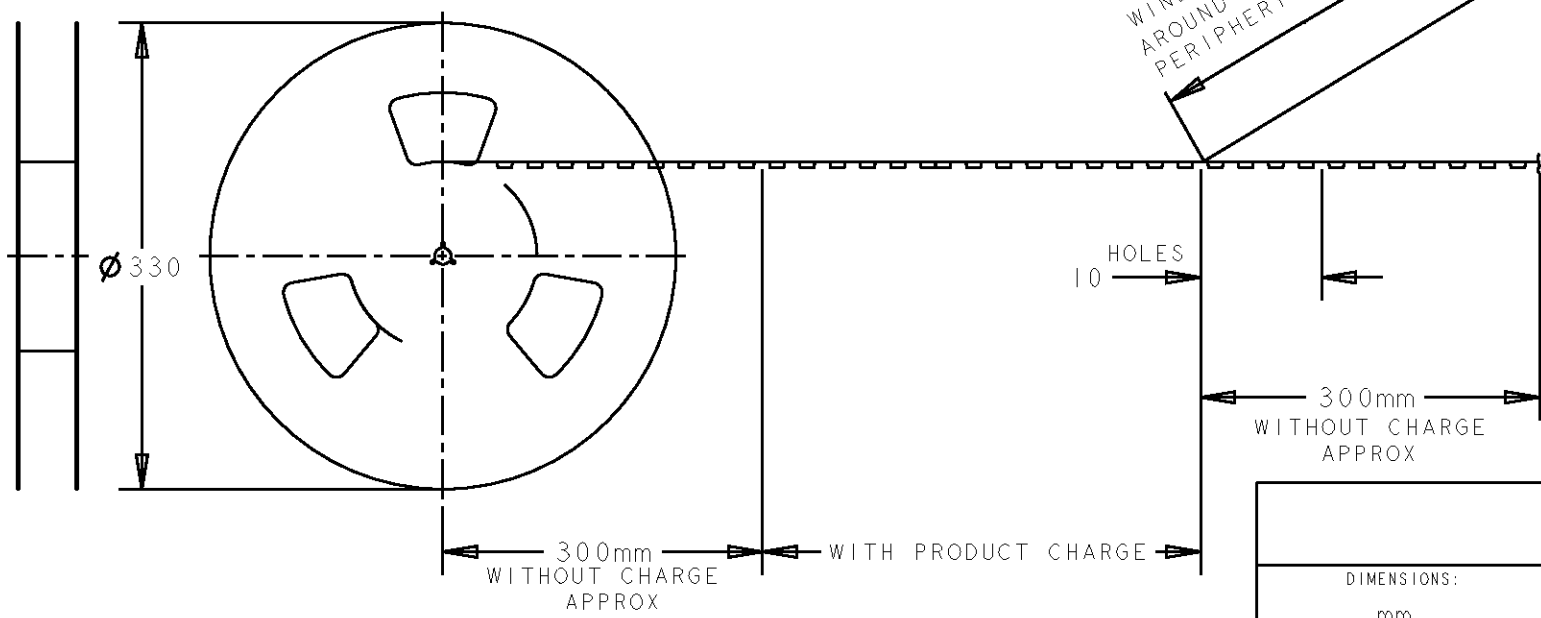


THIS DRAWING IS UNPUBLISHED. RELEASED FOR PUBLICATION .19 .
 BY - ALL RIGHTS RESERVED.

LOC		DIST		REVISIONS					
DY		-		P	LTR	DESCRIPTION	DATE	DWN	APVD
				P		REVISED PER ECO-11-005139	19MAR11	RK	HMR



WINDING THE COVER TAPE
 AROUND THE OUTER
 PERIPHERY IN A TURN.



AVAILABLE	200	12	17	89.8	16	85.8	104	100.4	50.2	6-5179010-0	200	1-5084616-0
	200	12	17	81.8	16	77.8	104	100.4	50.2	5-5179010-9	180	0-5084616-9
	200	12	17	73.8	16	69.8	88	84.4	42.2	5-5179010-8	160	0-5084616-8
	200	12	17	65.8	16	61.8	88	84.4	42.2	5-5179010-6	140	0-5084616-6
	200	12	17	57.8	16	53.8	72	68.4	34.2	5-5179010-5	120	0-5084616-5
	200	12	17	49.8	16	45.8	72	68.4	34.2	5-5179010-4	100	0-5084616-4
	200	12	17	41.8	16	37.8	56	52.4	26.2	5-5179010-3	80	0-5084616-3
	200	12	17	33.8	16	29.8	44	40.4	20.2	5-5179010-2	60	0-5084616-2
	200	12	17	25.8	16	21.8	44	40.4	20.2	5-5179010-1	40	0-5084616-1
REMARKS	QTY	H	G	F	E	D	C	B	A	CONNECTOR P/N	POS	PART NO.

DOWNSIDE		DWN 01SEP04 FLORENCE TAN		TE Connectivity	
CHECKED		CHK ERIC TNG			
APPROVED		APVD SEI FONG		NAME	
PRODUCT SPEC		108-5390		RECEPTACLE ASS'Y 13H TYPE (0.5 BOSS LENGTH) FOR FH 0.8mm B-T-B CONN. ON TAPING	
APPLICATION SPEC		114-5254		DRAWING NO	
WEIGHT		-		CAGE CODE	
CUSTOMER DRAWING		A3		00779	
SCALE		2:1		DRAWING NO	
SHEET		1 OF 1		C-5084616	
REV		P		SCALE	