



Chipsmall Limited consists of a professional team with an average of over 10 year of expertise in the distribution of electronic components. Based in Hongkong, we have already established firm and mutual-benefit business relationships with customers from,Europe,America and south Asia,supplying obsolete and hard-to-find components to meet their specific needs.

With the principle of “Quality Parts,Customers Priority,Honest Operation,and Considerate Service”,our business mainly focus on the distribution of electronic components. Line cards we deal with include Microchip,ALPS,ROHM,Xilinx,Pulse,ON,Everlight and Freescale. Main products comprise IC,Modules,Potentiometer,IC Socket,Relay,Connector.Our parts cover such applications as commercial,industrial, and automotives areas.

We are looking forward to setting up business relationship with you and hope to provide you with the best service and solution. Let us make a better world for our industry!



## Contact us

Tel: +86-755-8981 8866 Fax: +86-755-8427 6832

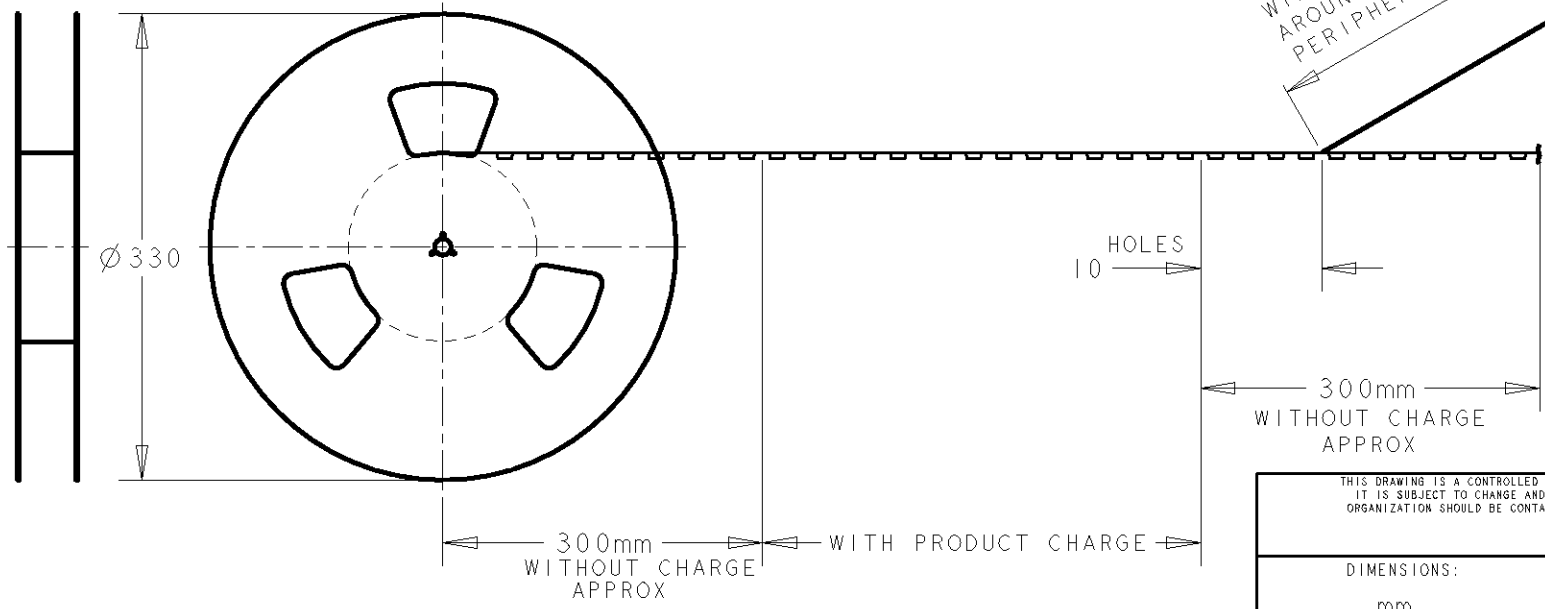
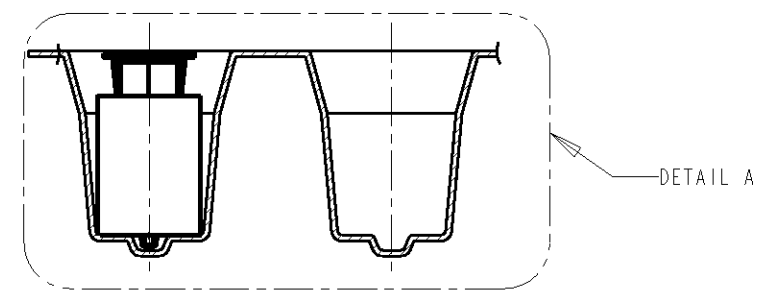
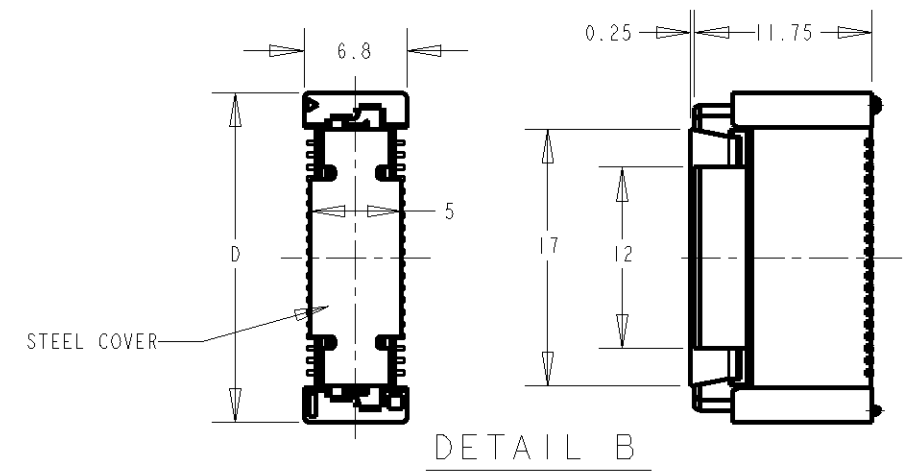
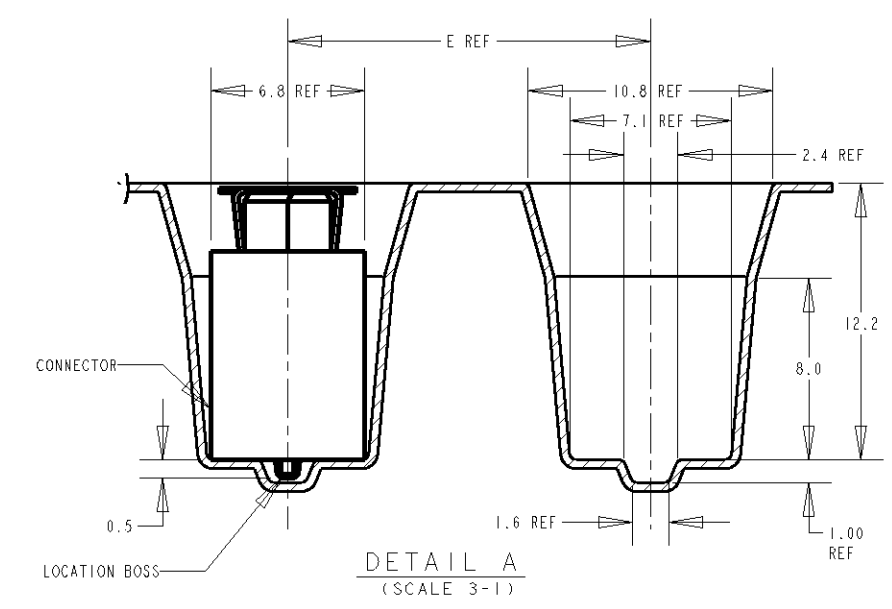
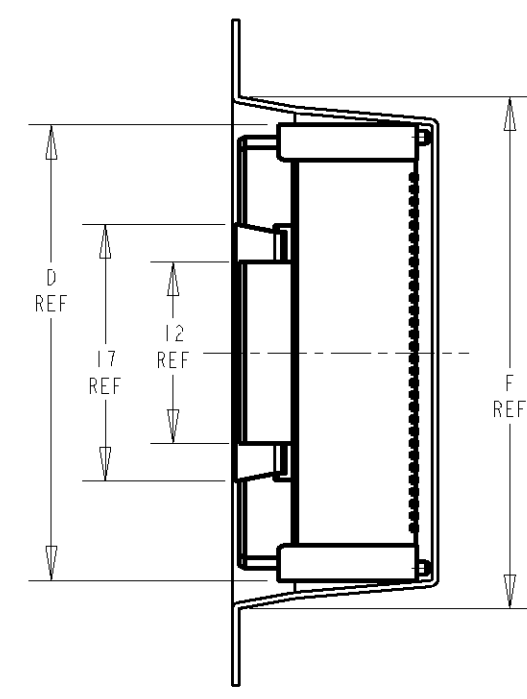
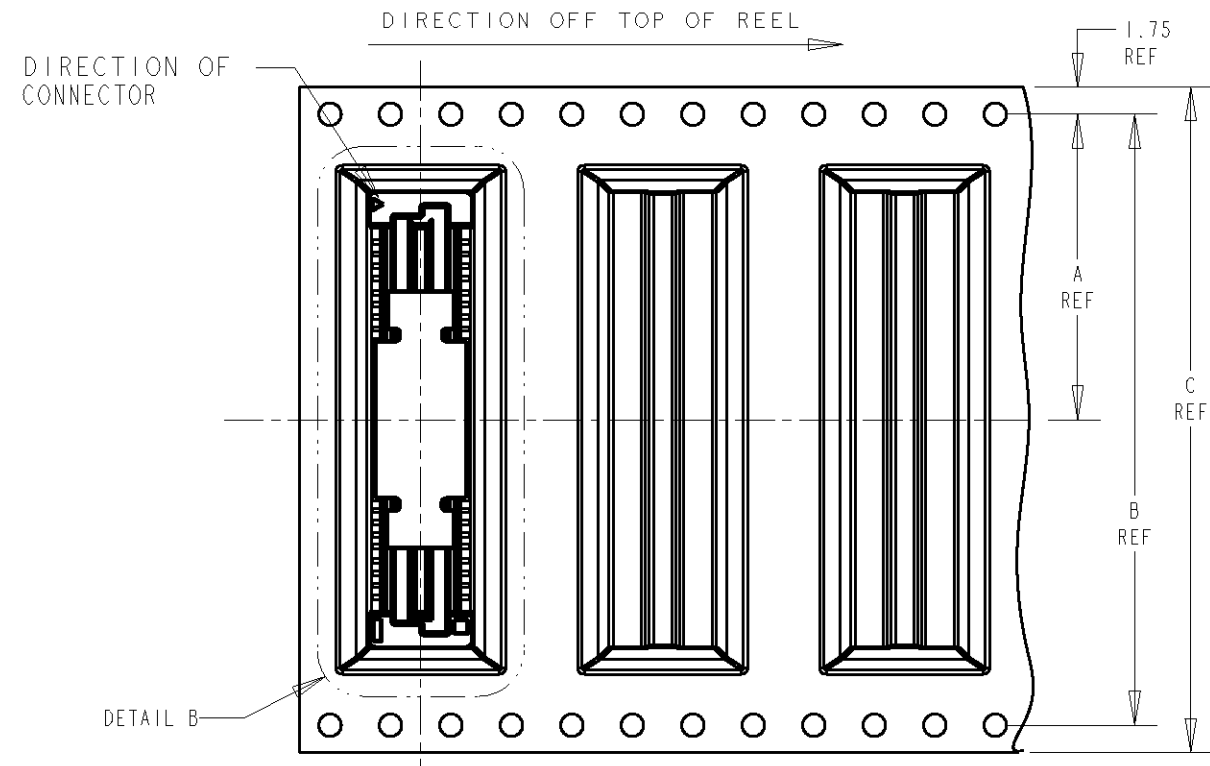
Email & Skype: info@chipsmall.com Web: www.chipsmall.com

Address: A1208, Overseas Decoration Building, #122 Zhenhua RD., Futian, Shenzhen, China



THIS DRAWING IS UNPUBLISHED. RELEASED FOR PUBLICATION .19  
 BY AMP INCORPORATED. ALL RIGHTS RESERVED.

LOC	DIST	REVISIONS			
P	LTR	DESCRIPTION	DATE	DWN	APVD
DY	-				
	0	NPR FP00-0227-04	16SEP04	FTAN	LSF



REMARKS	QTY	F	E	D	C	B	A	CONNECTOR P/N	POS	PART NO.
AVAILABLE	200	81.8	16	77.8	104	100.4	50.2	5-6123212-9	180	0-5084618-9
	200	73.8	16	69.8	88	84.4	42.2	5-6123212-8	160	0-5084618-8
	200	65.8	16	61.8	88	84.4	42.2	5-6123212-6	140	0-5084618-6
	200	57.8	16	53.8	72	68.4	34.2	5-6123212-5	120	0-5084618-5
	200	49.8	16	45.8	72	68.4	34.2	5-6123212-4	100	0-5084618-4
	200	41.8	16	37.8	56	52.4	26.2	5-6123212-3	80	0-5084618-3
	200	33.8	16	29.8	44	40.4	20.2	5-6123212-2	60	0-5084618-2
	200	25.8	16	21.8	44	40.4	20.2	5-6123212-1	40	0-5084618-1

THIS DRAWING IS A CONTROLLED DOCUMENT FOR AMP INCORPORATED. IT IS SUBJECT TO CHANGE AND THE CONTROLLING ENGINEERING ORGANIZATION SHOULD BE CONTACTED FOR THE LATEST REVISION.		DWN 16SEP04 FLORENCE TAN CHK ERIC TNG APVD SF L FONG PRODUCT SPEC 108-5390 APPLICATION SPEC 114-5254 WEIGHT -	<b>tyco</b> Tyco Electronics <b>Electronics</b> (Singapore) Pte. Ltd.
DIMENSIONS: mm 	TOLERANCES UNLESS OTHERWISE SPECIFIED: 0 PLC ± 1 PLC ±0.20 2 PLC ±0.25 3 PLC ± 4 PLC ± ANGLES ±	NAME RECEPTACLE ASS'Y 13H TYPE 30Au (0.5 BOSS LENGTH) FOR FH 0.8mm B-T-B CONN. ON TAPING	SIZE A3 CAGE CODE 00779 DRAWING NO C-5084618
MATERIAL -	FINISH -	CUSTOMER DRAWING	SCALE 2:1 SHEET 1 OF 1 REV 0