



Chipsmall Limited consists of a professional team with an average of over 10 year of expertise in the distribution of electronic components. Based in Hongkong, we have already established firm and mutual-benefit business relationships with customers from,Europe,America and south Asia,supplying obsolete and hard-to-find components to meet their specific needs.

With the principle of “Quality Parts,Customers Priority,Honest Operation,and Considerate Service”,our business mainly focus on the distribution of electronic components. Line cards we deal with include Microchip,ALPS,ROHM,Xilinx,Pulse,ON,Everlight and Freescale. Main products comprise IC,Modules,Potentiometer,IC Socket,Relay,Connector.Our parts cover such applications as commercial,industrial, and automotives areas.

We are looking forward to setting up business relationship with you and hope to provide you with the best service and solution. Let us make a better world for our industry!



Contact us

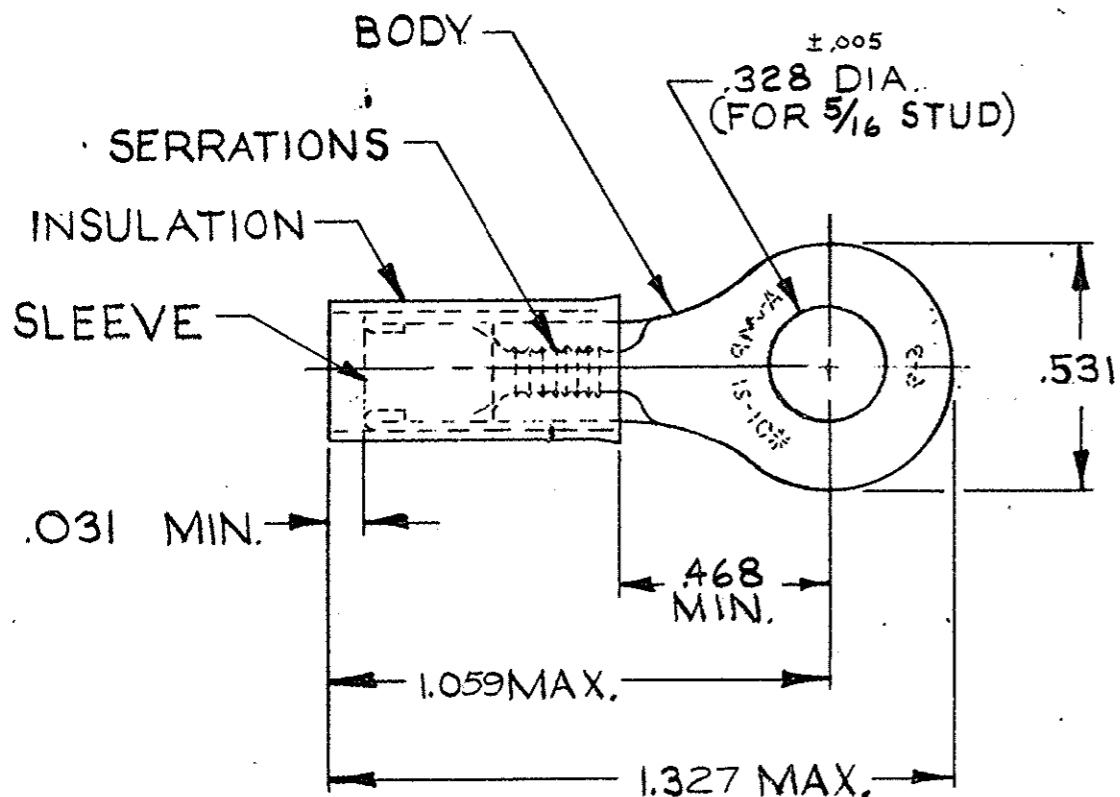
Tel: +86-755-8981 8866 Fax: +86-755-8427 6832

Email & Skype: info@chipsmall.com Web: www.chipsmall.com

Address: A1208, Overseas Decoration Building, #122 Zhenhua RD., Futian, Shenzhen, China




© 1967 BY AMP INCORPORATED. ALL RIGHTS RESERVED. AMP PRODUCTS COVERED BY PATENTS AND/OR PATENTS PENDING.



FOR .102 TO .214 WIRE INSULATION DIA.
TONGUE MATERIAL THK. = .040 ±.002

OBSOLETE

| REVISIONS | | | | |
|-----------|-----|---------------------------|----------|----------|
| ZONE | LTR | DESCRIPTION | DATE | APPROVED |
| B | | REDRAWN & REV P-6077 SK | 7-20-69 | FCY |
| C | | REVISED PC-5579 WM | 10-8-70 | AME |
| D | | REVISED PC-5578 H.B. | 7-6-71 | FCY |
| E | | REVISED PC-5578 TC | 2-23-77 | L.D |
| F | | INACTIVATED -1 P.9257 DBH | 2-1-82 | DJM |
| G | | OBS. -1 REV G2582 BT | 10-7-87 | gjm |
| H | | REV/ DG10-0099-98 ME | 2-4-99 | su |
| H1 | | REV PER ECR 05-013140 | 10/20/05 | JR/TM |

| | | | |
|--|---------------|--|--|
| 1 | 50847 ON TAPE | 50847-1 | BODY: COPPER (ASTM B152) NICKEL PLATE (QQ-N-290) .0003 AVG. EXT. THK. |
| 1 | WIRE TERMINAL | 50847 | SLEEVE: COPPER (ASTM B152) NICKEL PL (QQ-N-290).00003 AVG. EXT. THK. INSULATION: TEFLON (ASTM D3295) COLOR: BLACK |
| QTY | DESCRIPTION | PART NO. | MATERIAL & FINISH |
| UNLESS OTHERWISE SPECIFIED DIMENSIONS ARE IN INCHES TOLERANCES ON: DECIMALS ±.008 ANGLES ± 5° | | CONTRACT NO. 11 |  AMP INCORPORATED HARRISBURG, PENNSYLVANIA |
| MATERIAL SEE TABLE | | DR. Steve Fauty 7-29-69 CHK. P.C. Campbell 7-30-69 APPD. Swabel 8-6-69 REL. J.M. Eneninger 8-6-69 | |
| | | DSGN APPD | SIZE B CODE IDENT NO. 00779 NUMBER 50847 |
| | | OTHER APPD | SCALE NTS SHEET 10F1 |