



Chipsmall Limited consists of a professional team with an average of over 10 year of expertise in the distribution of electronic components. Based in Hongkong, we have already established firm and mutual-benefit business relationships with customers from,Europe,America and south Asia,supplying obsolete and hard-to-find components to meet their specific needs.

With the principle of “Quality Parts,Customers Priority,Honest Operation,and Considerate Service”,our business mainly focus on the distribution of electronic components. Line cards we deal with include Microchip,ALPS,ROHM,Xilinx,Pulse,ON,Everlight and Freescale. Main products comprise IC,Modules,Potentiometer,IC Socket,Relay,Connector.Our parts cover such applications as commercial,industrial, and automotives areas.

We are looking forward to setting up business relationship with you and hope to provide you with the best service and solution. Let us make a better world for our industry!



## Contact us

Tel: +86-755-8981 8866 Fax: +86-755-8427 6832

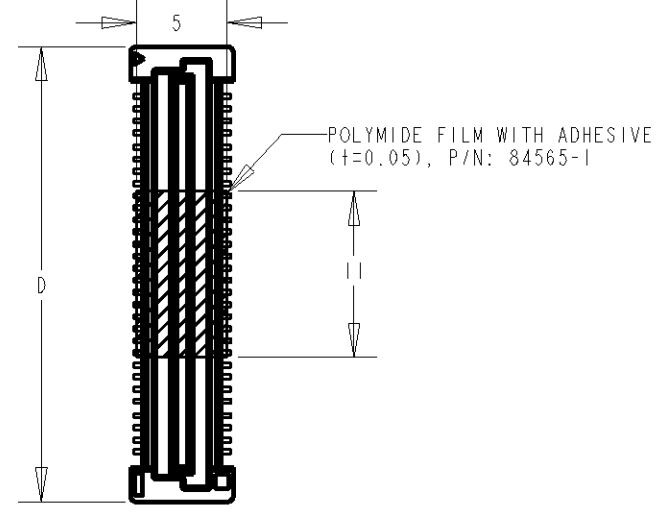
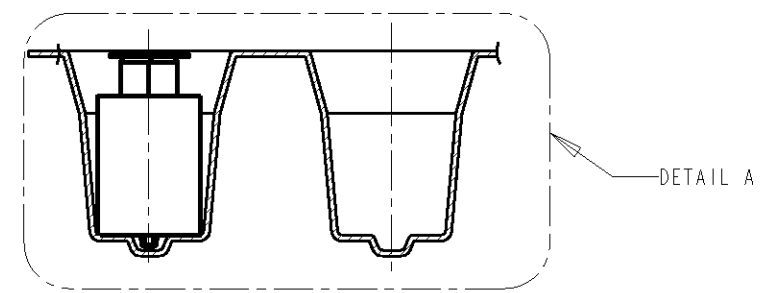
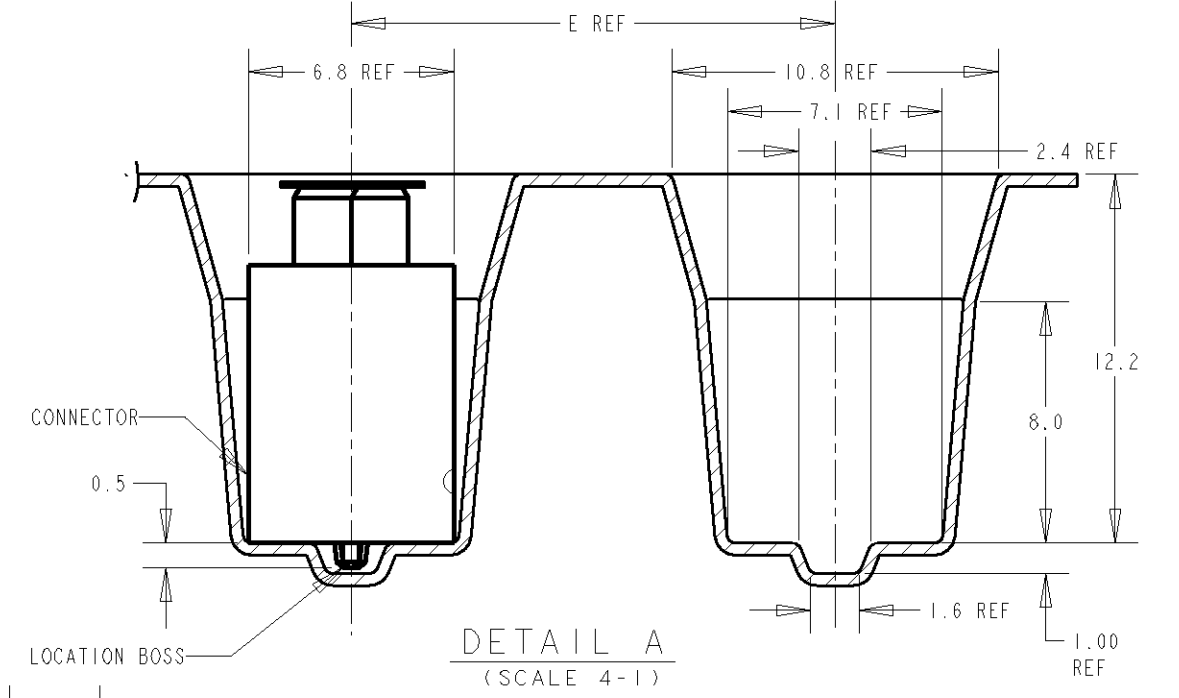
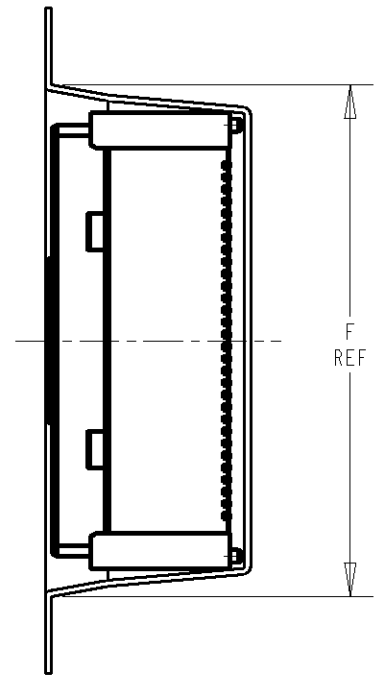
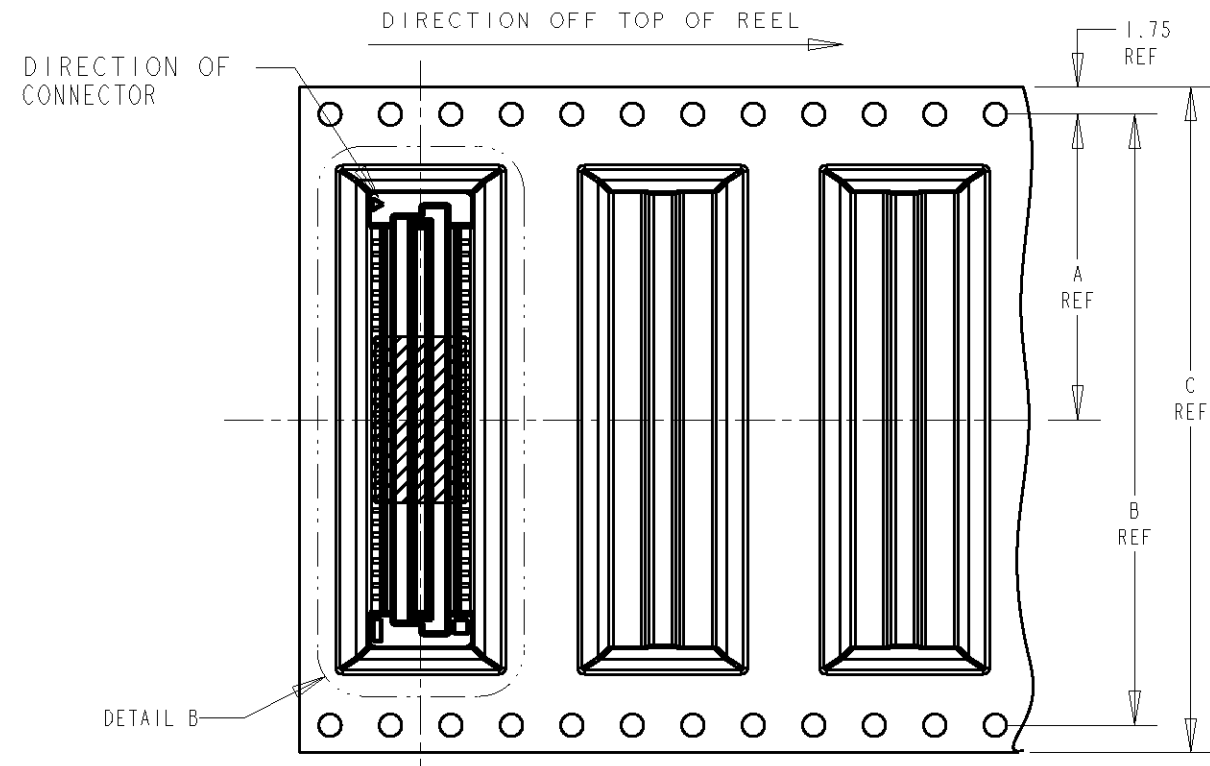
Email & Skype: info@chipsmall.com Web: www.chipsmall.com

Address: A1208, Overseas Decoration Building, #122 Zhenhua RD., Futian, Shenzhen, China

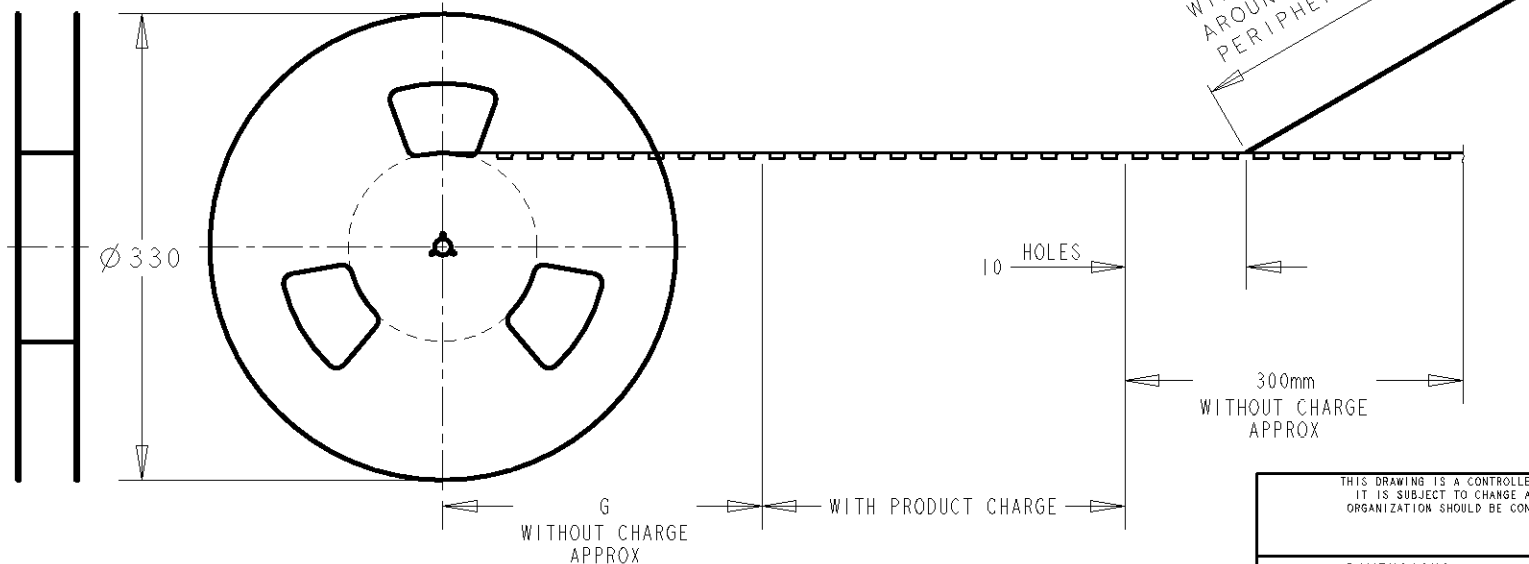


THIS DRAWING IS UNPUBLISHED. RELEASED FOR PUBLICATION .19  
 © COPYRIGHT 19 BY AMP INCORPORATED. ALL RIGHTS RESERVED.

LOC		DIST		REVISIONS			
P	LTR	DESCRIPTION	DATE	DWN	APVD		
DY	-	O4	REVISED PER ECO-09-026495	28NOV09	KK	AEG	



- NOTES:
- MATERIAL:  
HOUSING: HIGH TEMP THERMOPLASTICS UL94-V0  
CONTACTS: COPPER ALLOY
  - FINISH:  
UNDERPLATE: 1.3um MIN NICKEL  
MATING AREA: 0.2um MIN Au  
SOLDERTAIL: 2.0um MIN MATTE TIN
  - FINISH:  
UNDERPLATE: 1.3um MIN NICKEL  
MATING AREA: 0.76um MIN Au  
SOLDERTAIL: 2.0um MIN MATTE TIN
  - OBsolete PARTS: OBSOLETE CIS STREAMLINING PER D.RENAUD/D.SINISI



REMARKS	QTY	HEIGHT TYPE	G	F	E	D	C	B	A	CONNECTOR P/N	POS	PART NO.
3	200	13H	300	25.8	16	21.8	44	40.4	20.2	5-6123212-1	40	2-5084968-1
	200	13H	300	57.8	16	53.8	72	68.4	34.2	5-5179010-5	120	0-5084968-5
2	200	13H	300	49.8	16	45.8	72	68.4	34.2	5-5179010-4	100	0-5084968-4
4	200	13H	300	33.8	16	29.8	44	40.4	20.2	5-5179010-2	60	0-5084968-2
	200	13H	300	25.8	16	21.8	44	40.4	20.2	5-5179010-1	40	0-5084968-1

THIS DRAWING IS A CONTROLLED DOCUMENT FOR AMP INCORPORATED. IT IS SUBJECT TO CHANGE AND THE CONTROLLING ENGINEERING ORGANIZATION SHOULD BE CONTACTED FOR THE LATEST REVISION.

DIMENSIONS: mm	TOLERANCES UNLESS OTHERWISE SPECIFIED: 0 PLC ±.3 1 PLC ±0.3 2 PLC ±0.25 3 PLC ±0.2 4 PLC ±.3 ANGLES ±3°	DWN YJ SEE 16SEP2005 CHK SF LEONG APVD SF LEONG PRODUCT SPEC 108-5390 APPLICATION SPEC 114-5254 WEIGHT -	Tyco Electronics Singapore Pte. Ltd.
MATERIAL	FINISH	CUSTOMER DRAWING	NAME RECEPTACLE ASSY (0.5 BOSS LENGTH, 13mm HEIGHT, LF) WITH POLYIMIDE FILM FOR FH 0.8 B-T-B CONN. ON TAPING
			SIZE A3 CAGE CODE 00779 DRAWING NO C-5084968
			SCALE 2:1 SHEET 1 OF 1 REV O4