



Chipsmall Limited consists of a professional team with an average of over 10 year of expertise in the distribution of electronic components. Based in Hongkong, we have already established firm and mutual-benefit business relationships with customers from,Europe,America and south Asia,supplying obsolete and hard-to-find components to meet their specific needs.

With the principle of “Quality Parts,Customers Priority,Honest Operation,and Considerate Service”,our business mainly focus on the distribution of electronic components. Line cards we deal with include Microchip,ALPS,ROHM,Xilinx,Pulse,ON,Everlight and Freescale. Main products comprise IC,Modules,Potentiometer,IC Socket,Relay,Connector.Our parts cover such applications as commercial,industrial, and automotives areas.

We are looking forward to setting up business relationship with you and hope to provide you with the best service and solution. Let us make a better world for our industry!



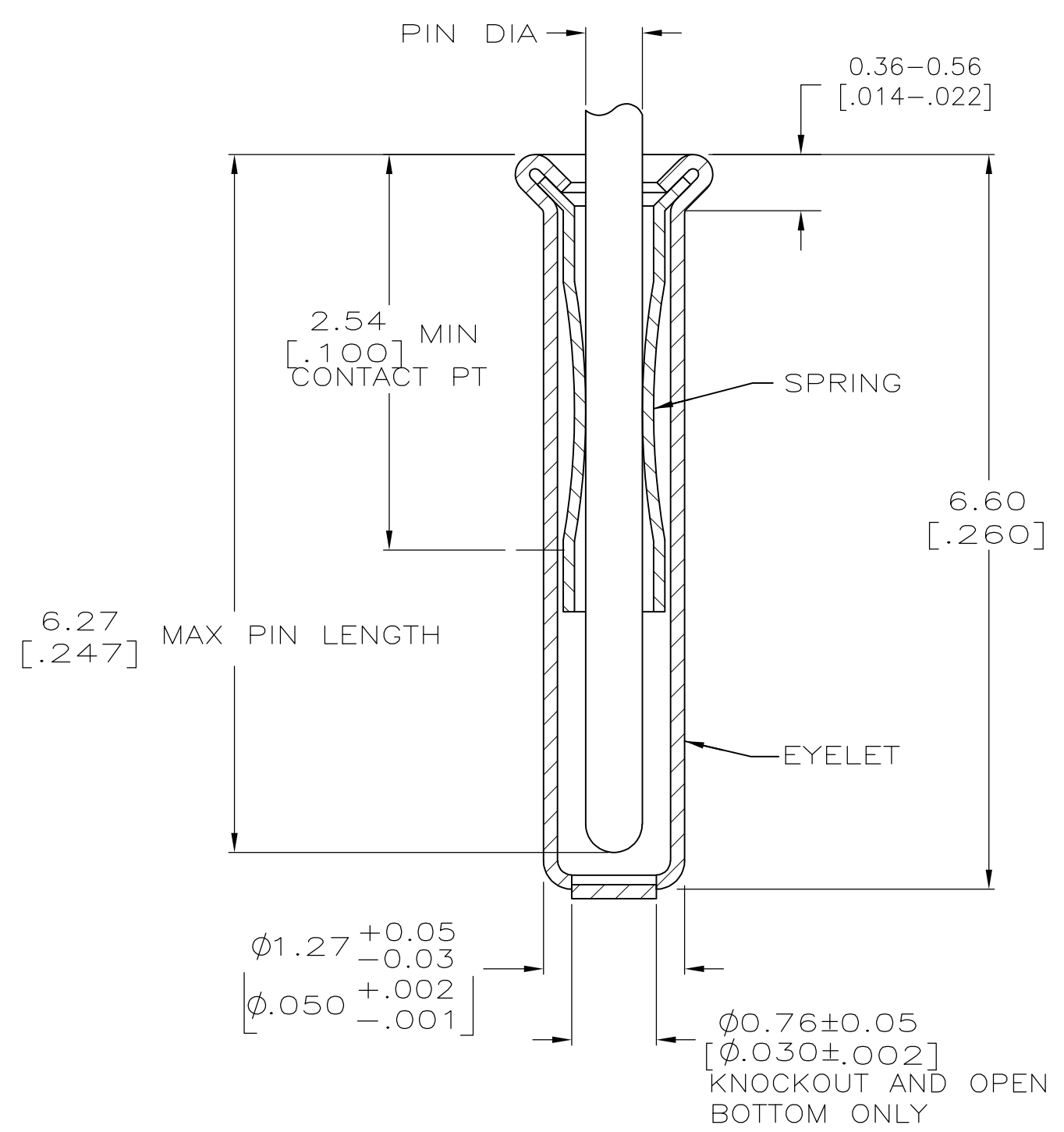
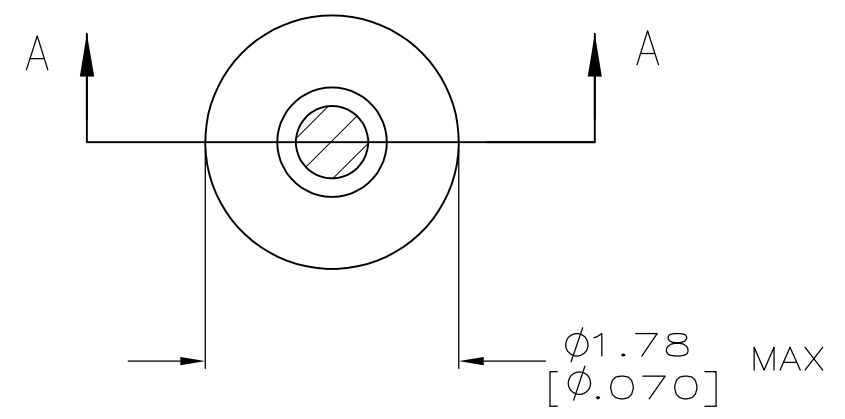
## Contact us

Tel: +86-755-8981 8866 Fax: +86-755-8427 6832

Email & Skype: info@chipsmall.com Web: www.chipsmall.com

Address: A1208, Overseas Decoration Building, #122 Zhenhua RD., Futian, Shenzhen, China





- 1. TIN PER MIL-T-10727 OR TIN LEAD 0.00254 [ $.000100$ ] MIN THK.
- 2. GOLD PER MIL-G-45204, TYPE II, 0.00076 [ $.000030$ ] MIN THK OVER NICKEL PER QQ-N-290 0.00028 [ $.000011$ ] MIN THK ON CONTACT AREA.
- 3. GOLD FLASH PER MIL-G-45204, TYPE II,  $0.13\mu\text{m}$  [ $.000005$ ] MIN THK. OVER NICKEL PLATE PER QQ-N-290  $0.51\mu\text{m}-1.52\mu\text{m}$  [ $.000020-.000060$ ] EXT THK.
- 4. RECOMMENDED HOLE SIZE, PLATED OR UNPLATED:
  - MACHINE INSERTION:  $1.32^{+0.03}_{-0.05}$  [ $.052^{+.001}_{-.002}$ ]
  - HAND INSERTION:  $1.32^{+0.10}_{-0.00}$  [ $.052^{+.004}_{-.000}$ ]
- 5. APPLICATION TOOL PART NUMBER:
  - MACHINE NO. 682127-3
  - INSERTION HEAD NO. 682039-2
- 6. TO INSURE PROPER SPRING TENSION DO NOT EXCEED A 0.10 [ $.004$ ] DIFFERENCE IN PIN DIA WHEN CHANGING TO A SMALLER PIN.
- 7. BOTTOM PLUG KNOCKOUT TOOL PART NUMBER 69729 WITH TIP PART NUMBER 69728.
- 8. OBSOLETE PARTS: OBSOLETE CIS STREAMLINING PER D.RENAUD/D.SINISI

8	OBSOLETE	CLOSED	0.36-0.66 [ $.014-.026$ ]	TIN 1	TIN 1	50863-8
	OBSOLETE	KNOCKOUT		TIN 1	TIN 1	50863-7
	OBSOLETE	OPEN		TIN 1	TIN 1	50863-6
	OBSOLETE	OPEN		GOLD 3	GOLD 2	50863-5
	OBSOLETE	CLOSED		TIN 1	GOLD 2	50863-4
	OBSOLETE	KNOCKOUT		TIN 1	GOLD 2	50863-3
	OBSOLETE	OPEN		GOLD 3	GOLD 2	50863-1
	OBSOLETE	OPEN		GOLD 3	GOLD 2	50863
BOTTOM TYPE		RECOMMENDED PIN DIA 6	EYELET	SPRING	PART NO	

THIS DRAWING IS A CONTROLLED DOCUMENT.		DWN R. TALLEY 4-8-91	TE Connectivity	
		CHK S. ROBERTSON 8-22-91		
DIMENSIONS: mm[INCHES]		APVD R. MILLER 8-5-91	NAME	
TOLERANCES UNLESS OTHERWISE SPECIFIED:		PRODUCT SPEC		
0 PLC ± - 1 PLC ± - 2 PLC ± - 3 PLC ± 0.20 [.008] 4 PLC ± - ± - ANGLES ± - ± -		APPLICATION SPEC		
MATERIAL SPRING: BeCu, QQ-C-533 EYELET: Cu, QQ-C-576		WEIGHT -		
FINISH SEE TABLE		SIZE CAGE CODE DRAWING NO RESTRICTED TO		
		A2 00779 C-50863		
CUSTOMER DRAWING		SCALE 20:1 SHEET 1 OF 1 REV Z4		