



Chipsmall Limited consists of a professional team with an average of over 10 year of expertise in the distribution of electronic components. Based in Hongkong, we have already established firm and mutual-benefit business relationships with customers from,Europe,America and south Asia,supplying obsolete and hard-to-find components to meet their specific needs.

With the principle of “Quality Parts,Customers Priority,Honest Operation,and Considerate Service”,our business mainly focus on the distribution of electronic components. Line cards we deal with include Microchip,ALPS,ROHM,Xilinx,Pulse,ON,Everlight and Freescale. Main products comprise IC,Modules,Potentiometer,IC Socket,Relay,Connector.Our parts cover such applications as commercial,industrial, and automotives areas.

We are looking forward to setting up business relationship with you and hope to provide you with the best service and solution. Let us make a better world for our industry!



Contact us

Tel: +86-755-8981 8866 Fax: +86-755-8427 6832

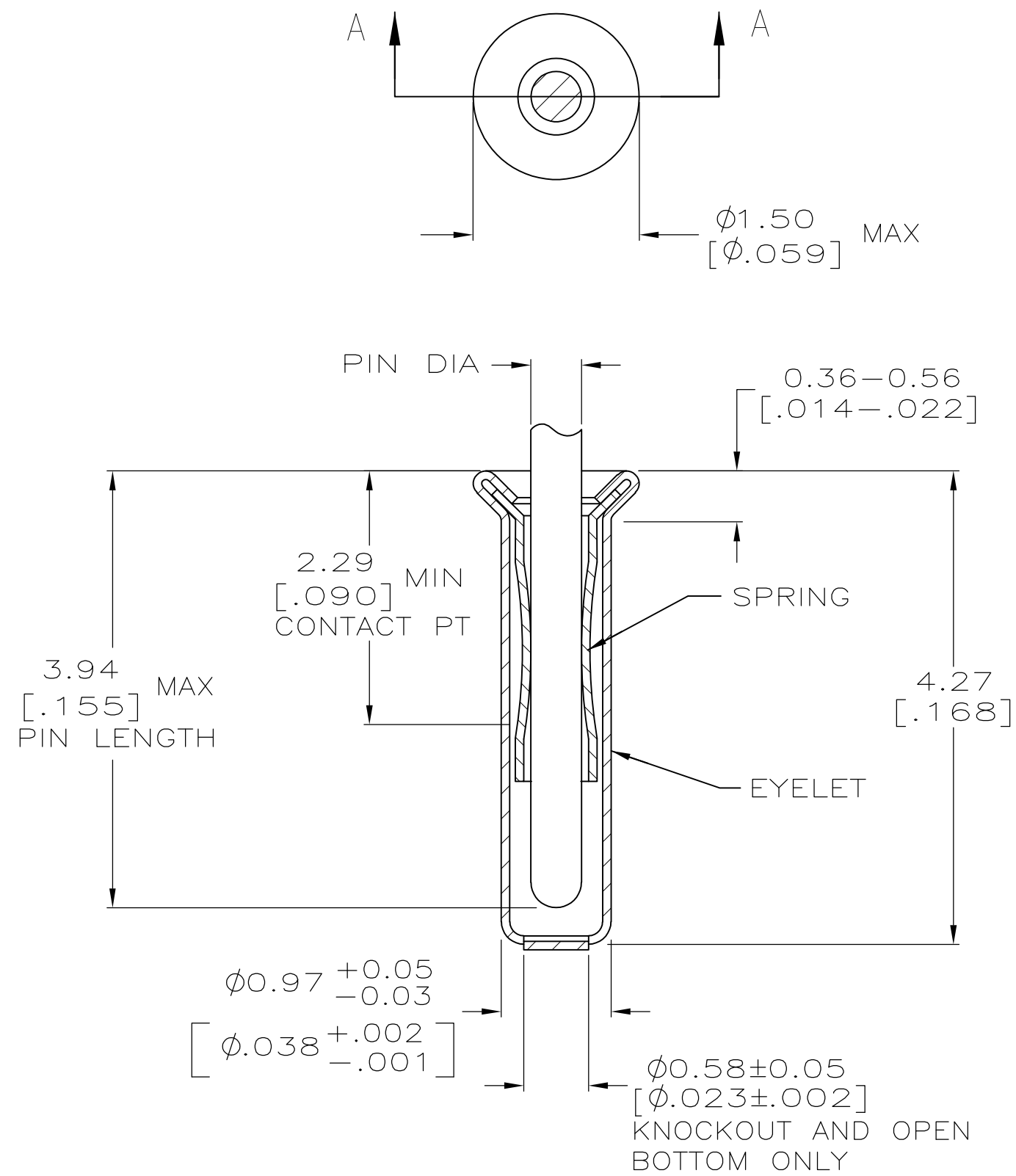
Email & Skype: info@chipsmall.com Web: www.chipsmall.com

Address: A1208, Overseas Decoration Building, #122 Zhenhua RD., Futian, Shenzhen, China



THIS DRAWING IS UNPUBLISHED. RELEASED FOR PUBLICATION
 © COPYRIGHT - By - ALL RIGHTS RESERVED.

LOC	DIST	REVISIONS			
P	LTR	DESCRIPTION	DATE	DWN	APVD
GP	00	AC2	REVISED PER ECO-11-004835	11MAR11	RK HMR



SECTION A-A

- 1. TIN PER MIL-T-10727 OR TIN LEAD .000254 [.000100] MIN THK.
- 2. GOLD PER MIL-G-45204, TYPE II, 0.00076 [.000030] MIN THK OVER NICKEL PER QQ-N-290 0.00028 [.000011] MIN THK ON CONTACT AREA.
- 3. GOLD FLASH PER MIL-G-45204, TYPE II, 0.13µm [.000005] MIN THK. OVER NICKEL PLATE PER QQ-N-290 0.51µm-1.52µm [.000020-.000060] EXT THK.
- 4. RECOMMENDED HOLE SIZE, PLATED OR UNPLATED:
 MACHINE INSERTION: 1.04±0.05 [.041±.002]
 HAND INSERTION: 1.02 ^{+0.10}/_{-0.00} [.040 ^{+0.004}/_{-0.000}]
- 5. APPLICATION TOOL PART NUMBER:
 MACHINE NO. 682127-2
 INSERTION HEAD NO. 682039-1
- 6. TO INSURE PROPER SPRING TENSION DO NOT EXCEED A 0.10 [.004] DIFFERENCE IN PIN DIA WHEN CHANGING TO A SMALLER PIN.
- 7. BOTTOM PLUG KNOCKOUT TOOL PART NUMBER 69729 WITH TIP PART NUMBER 69728.
- 8. TIN PER ASTM B 545, .000254 [.000100] MIN THK.

SUPSD BY 50935-1	CLOSED	0.33-0.51 [.013-.020]	TIN 8	TIN 8	6-50935-2
	OPEN		TIN 1	GOLD 2	50935-9
OBSOLETE OBSOLETE OBSOLETE	KNOCKOUT	0.33-0.51 [.013-.020]	GOLD 3	TIN 1	50935-8
	CLOSED		TIN 1	GOLD 2	50935-6
			TIN 1	TIN 1	50935-5
BOTTOM TYPE	RECOMMENDED PIN DIA 6	TIN 1	GOLD 2	50935-4	
			TIN 1	TIN 1	50935-2
			GOLD 3	GOLD 2	50935-1
			GOLD 3	GOLD 2	50935
			EYELET	SPRING	PART NO
			FINISH		

THIS DRAWING IS A CONTROLLED DOCUMENT.		DWN	20SEP2005	TE Connectivity	
DIMENSIONS: INCHES		CHK	R. TALLEY	MINIATURE SPRING SOCKET ASSEMBLY SERIES 1	
TOLERANCES UNLESS OTHERWISE SPECIFIED:		APVD	-	-	
0 PLC	± -	PRODUCT SPEC	-	-	
1 PLC	± -	APPLICATION SPEC	-	-	
2 PLC	± -	WEIGHT	-	-	
3 PLC	± 0.20 [.008]	SCALE	20:1	-	
4 PLC	± -	SHEET	1 of 1	-	
ANGLES	± -	REV	AC2	-	
MATERIAL	BE CU	CUSTOMER DRAWING	-		