



Chipsmall Limited consists of a professional team with an average of over 10 year of expertise in the distribution of electronic components. Based in Hongkong, we have already established firm and mutual-benefit business relationships with customers from,Europe,America and south Asia,supplying obsolete and hard-to-find components to meet their specific needs.

With the principle of “Quality Parts,Customers Priority,Honest Operation,and Considerate Service”,our business mainly focus on the distribution of electronic components. Line cards we deal with include Microchip,ALPS,ROHM,Xilinx,Pulse,ON,Everlight and Freescale. Main products comprise IC,Modules,Potentiometer,IC Socket,Relay,Connector.Our parts cover such applications as commercial,industrial, and automotives areas.

We are looking forward to setting up business relationship with you and hope to provide you with the best service and solution. Let us make a better world for our industry!



Contact us

Tel: +86-755-8981 8866 Fax: +86-755-8427 6832

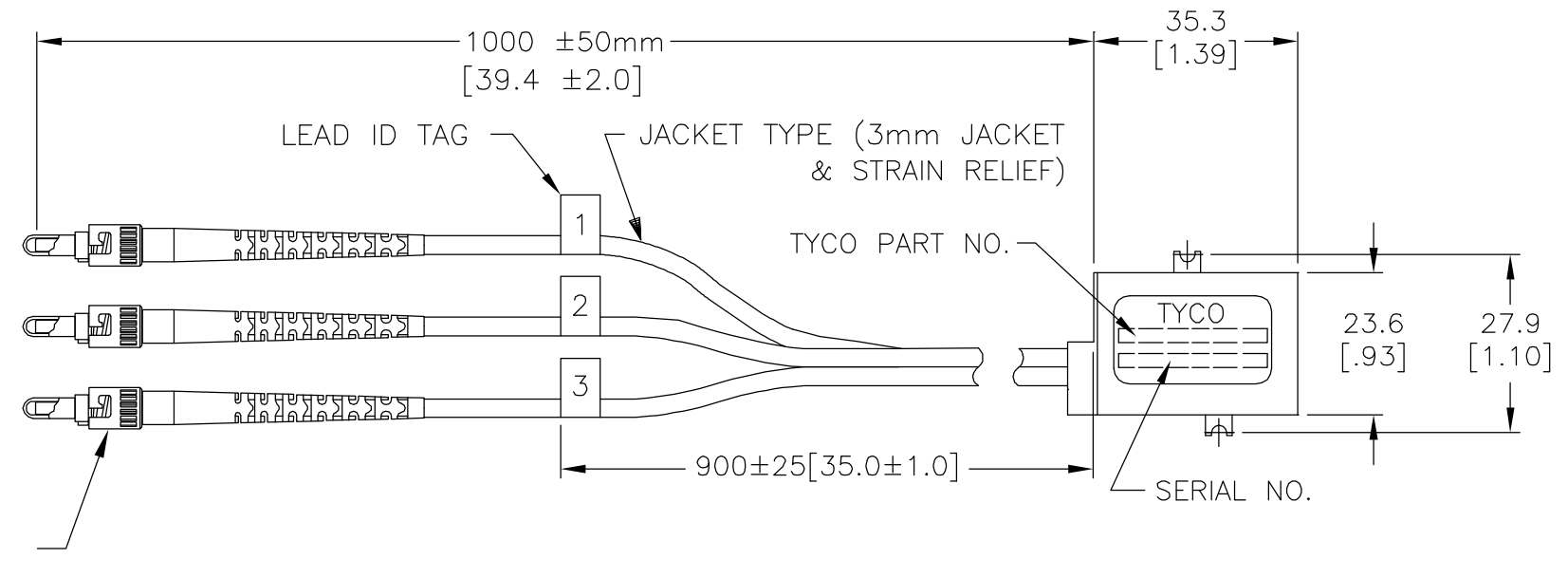
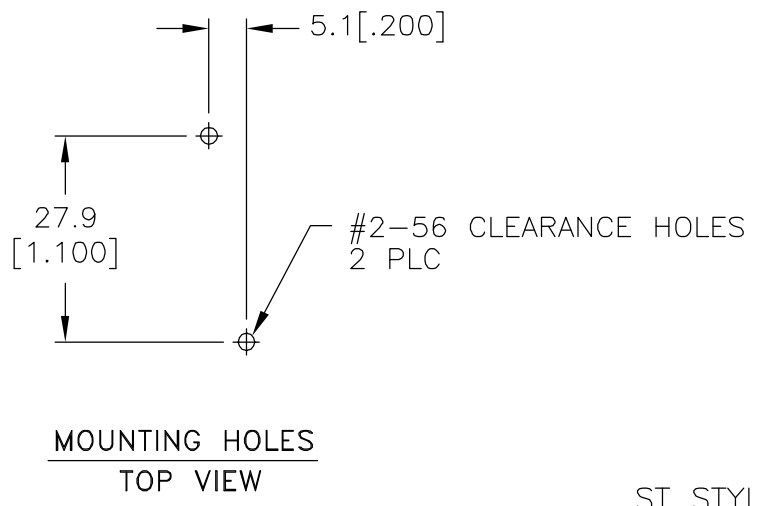
Email & Skype: info@chipsmall.com Web: www.chipsmall.com

Address: A1208, Overseas Decoration Building, #122 Zhenhua RD., Futian, Shenzhen, China

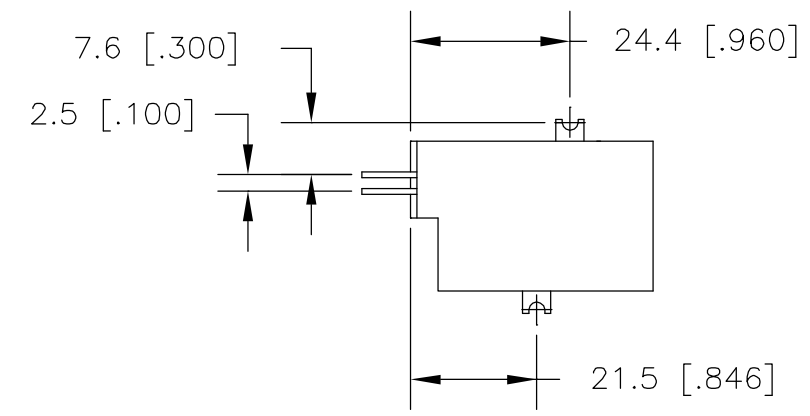
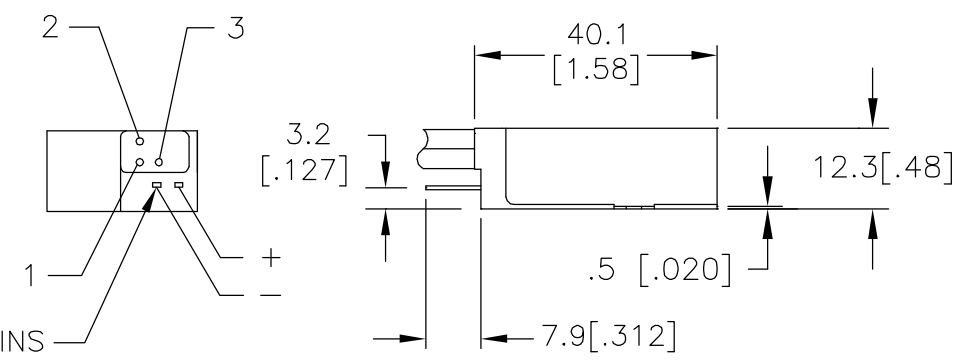


THIS DRAWING IS UNPUBLISHED. RELEASED FOR PUBLICATION
 © COPYRIGHT - BY TYCO ELECTRONICS CORPORATION. ALL RIGHTS RESERVED.

LOC	DIST	REVISIONS					
EA	51	P	LTR	DESCRIPTION	DATE	DWN	APVD
		2		UPDATE	04DEC06	SM	RP



PART NO.	FIBER TYPE
5099427-1	50/125/250
5099427-2	62.5/125/250



- NOTES:
- DIMENSIONS IN [] ARE IN INCHES.
 - PERFORMANCE SPECIFICATIONS
 TESTED PER FOTP-34 METHOD A2
 INSERTION LOSS DATA INCLUDES TWO CONNECTED PAIRS
 INSERTION LOSS POWER OFF, FIBER 2 TO 1 1.8dB MAX
 POWER ON, FIBER 2 TO 3 1.8dB MAX

 OPTICAL CROSSTALK </=-45dB MAX PER FOTP-42
 OPERATING WAVELENGTH 750 TO 1450nm
 TESTED WAVELENGTH 1300nm
 POWER REQUIREMENTS 4.0 TO 5.5 VOLTS, 80ma MAX AT 5.0 VOLTS
 SWITCHING SPEED 10 MILLISECONDS MAX
 - THIS PRODUCT HAS NOT COMPLETED VALIDATION TESTING.

PRELIMINARY

THIS DRAWING IS A CONTROLLED DOCUMENT.		DWN S. MONGOLD 05DEC05	Tyco Electronics Corporation Harrisburg, PA 17105-3608	
DIMENSIONS: mm [INCHES]		CHK R. PAUL 05DEC05		
TOLERANCES UNLESS OTHERWISE SPECIFIED:		APVD F. ABENDSCHEIN 05DEC05		
0 PLC ± - 1 PLC ± 0.5 2 PLC ± - 3 PLC ± - 4 PLC ± - ANGLES ± 2'		PRODUCT SPEC -	NAME SW11 1X2 GOLD (STRAIGHT PIN)	
MATERIAL -		FINISH -	APPLICATION SPEC -	RESTRICTED TO -
		WEIGHT -	SIZE A3	CAGE CODE 00779
CUSTOMER DRAWING			DRAWING NO C=5099427	RESTRICTED TO -
			SCALE 1:1	SHEET 1 OF 1
				REV 2